



Product Zebra Technologies Corporation

Producer 475 Half Day Road, Suite 500
Lincolnshire, IL 60069 U.S.A.

Product Description Models: ZXP Series 3™

Hazardous Substances and Preparations The materials used in this product are RoHS compliant. This product contains the following items that may require special handling:

- PCBA.

Batteries No models or options of this series include a battery

Packaging The packaging materials used for this product do not contain any of the banned materials listed in the EU packaging directive.

The printed user documentation included with this product is produced on paper with 50% or more recycled content that has not been bleached with chlorine. If a Compact Disc (CD) is supplied, it is made from a recyclable polycarbonate material.

Information on the assessment of the packaging scheme for this or other Zebra products can be found at: <http://www.zebra.com/environment>.

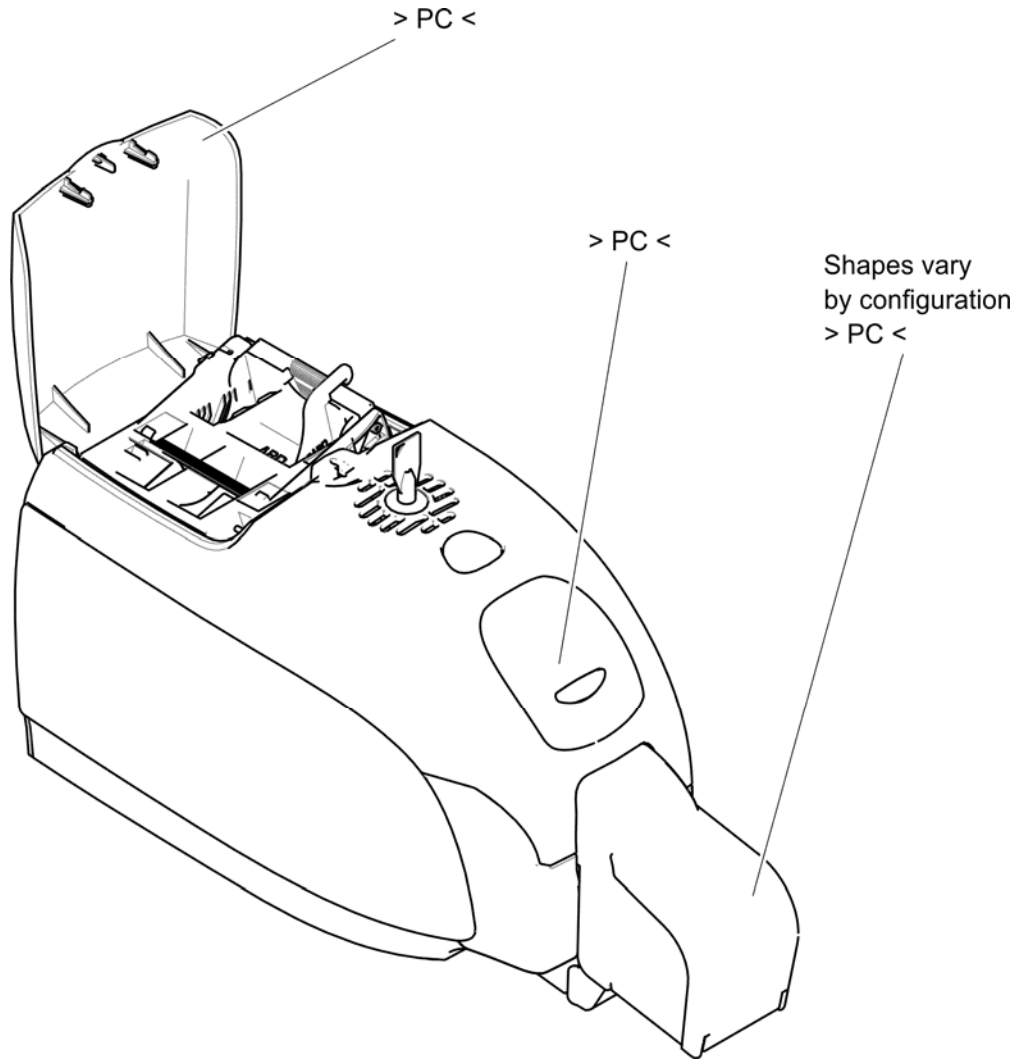
Recycling Information Zebra Technologies offers product recycling programs in certain geographic areas. To determine if a program is available for this product in your area, please refer to our web site at: <http://www.zebra.com/environment>.

This product is designed with the following features to enhance recycling:

- Glues and adhesives have been eliminated from product construction where feasible.
- Use of common fasteners and/or snap-in features
- Plastic parts weighing more than 25g are marked according to ISO 11469 standards except where impractical. Exceptions are noted in the following drawing.

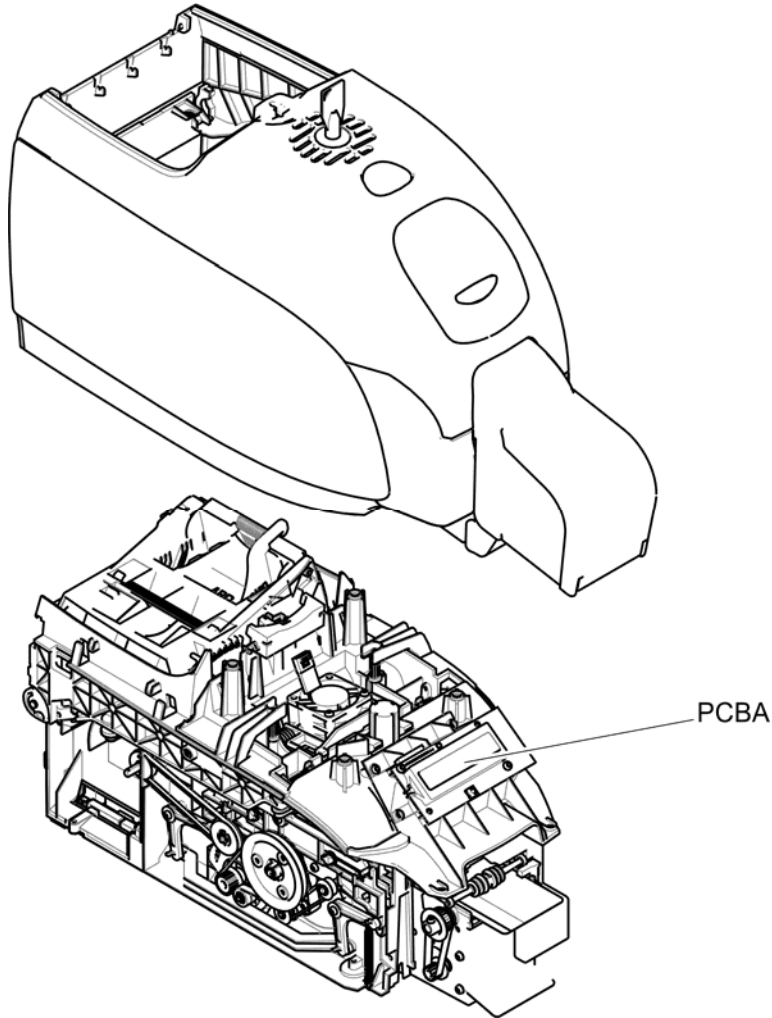


ZXP Series 3™



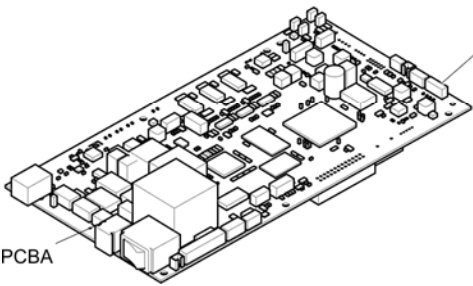
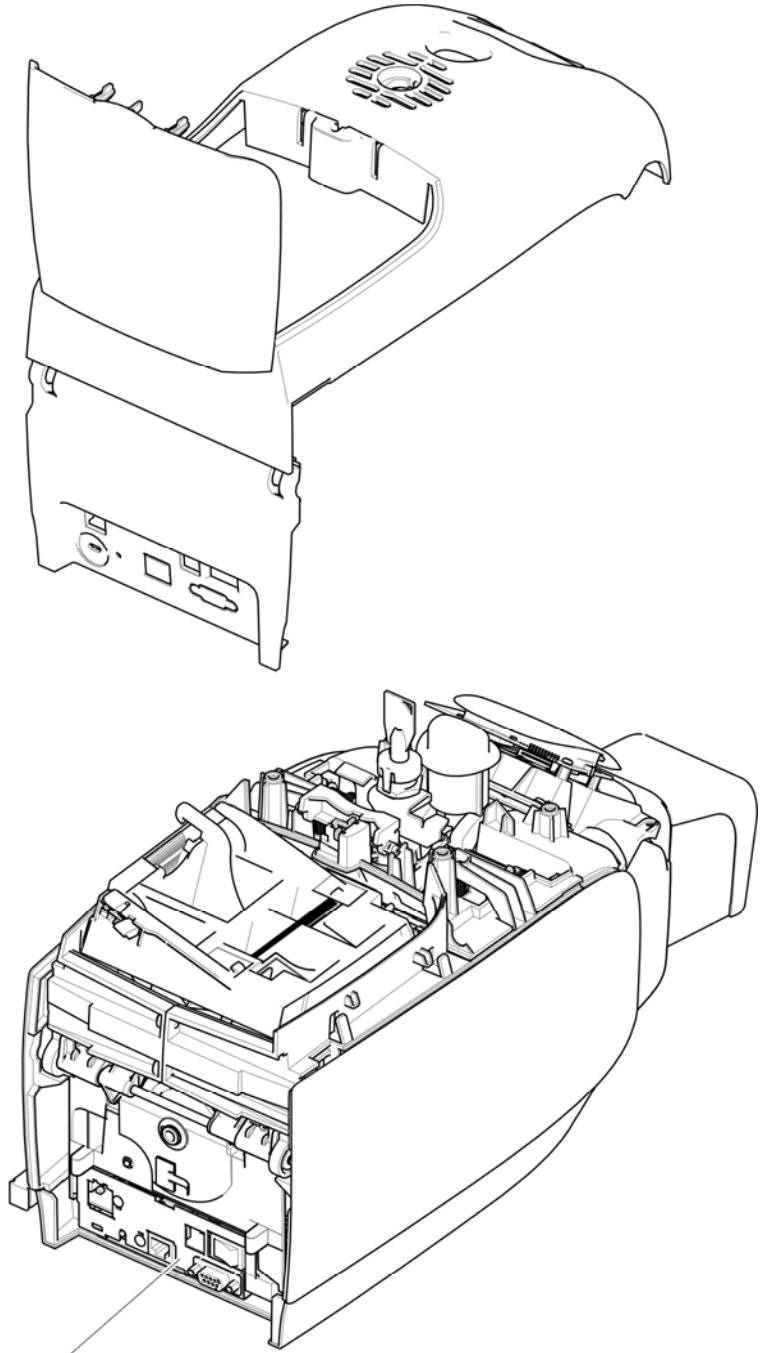
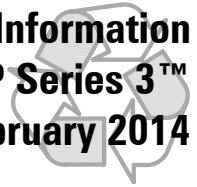


Product Recycling Information
ZXP Series 3™
February 2014





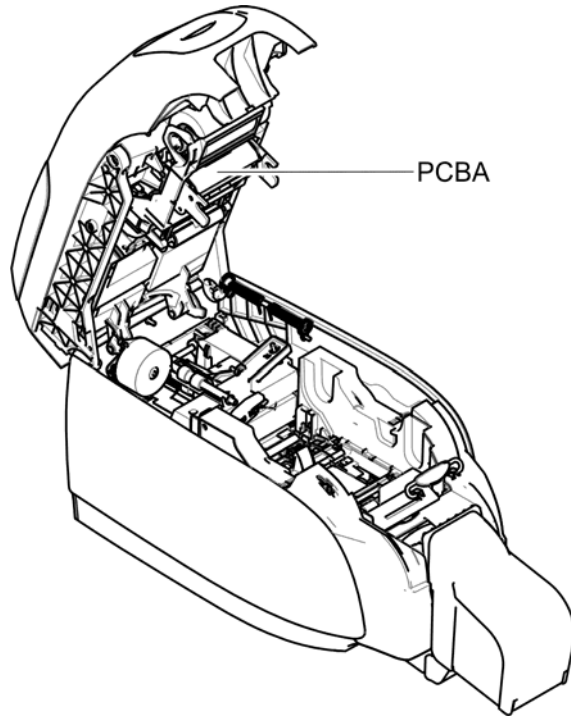
Product Recycling Information
ZXP Series 3™
February 2014



PCBA



Product Recycling Information
ZXP Series 3™
February 2014



This document was compiled from information available at the time of publication and is issued only as an information source. No warranty as to accuracy or completeness is expressed or implied. This document is subject to change without notice.

©2014 ZIH Corp. All product names and numbers are Zebra trademarks, and Zebra and the Zebra logo are registered trademarks of ZIH Corp. All rights reserved. Unauthorized reproduction, adaptation, or translation of this information without prior written permission is prohibited except as allowed under copyright laws and may result in imprisonment of up to one year and fines of up to \$10,000 (17 U.S.C.506). Copyright violators may be subject to civil liability.

980539-014 Rev. A