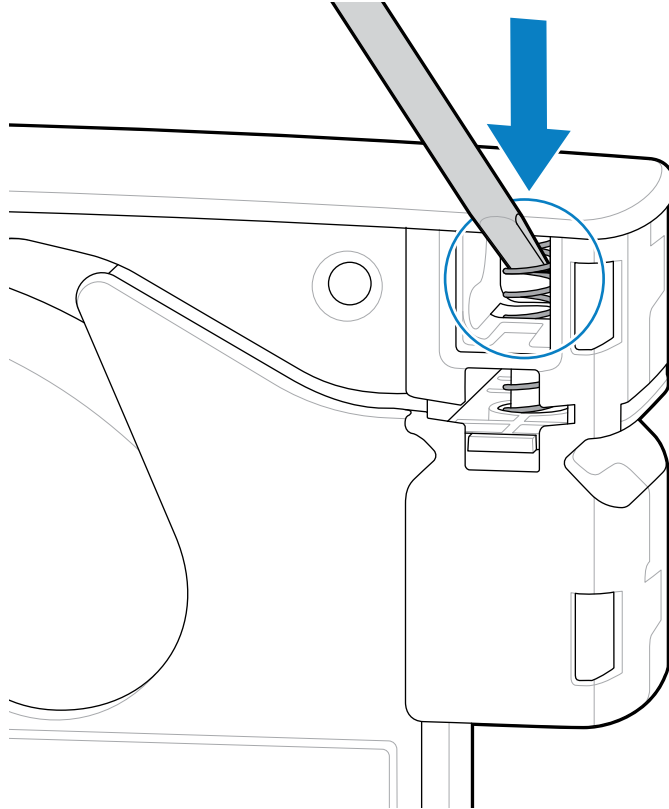


ZD510HC Media Cartridge

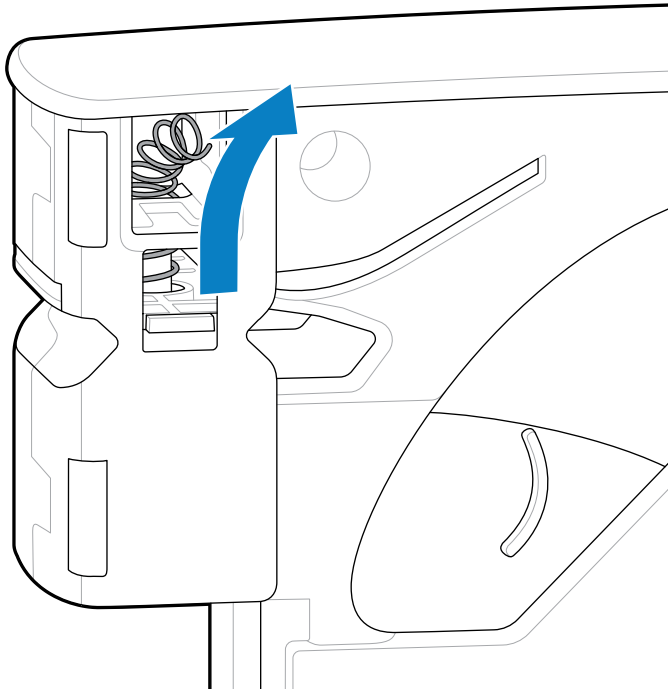
Prepare the cartridge before recycling.

Use a small flathead screwdriver, a ballpoint pen, tweezers, or any similar tool to prepare the cartridge for recycling.

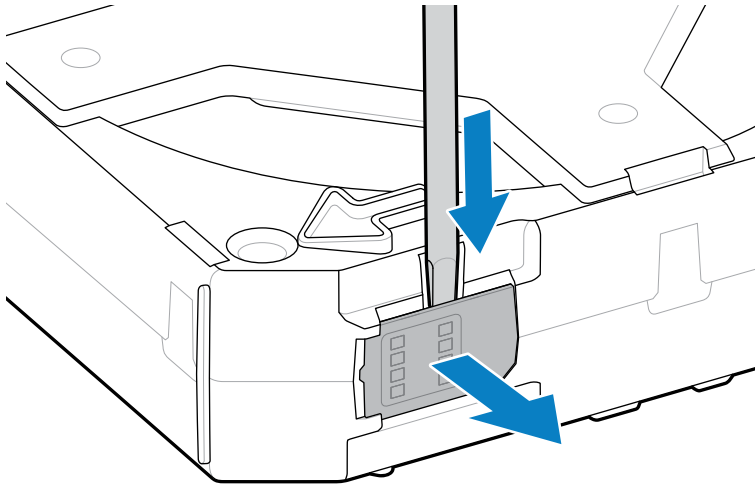
1. Disengage the spring.



2. Use the screwdriver to lift the spring out of the cartridge.



3. Push the Smart Chip out of the tabs.



4. Pull any remaining media out of the cartridge.

- Recycle the cartridge with other plastic recycling. The cartridge is PET.
- Recycle the Smart Chip with other electronics.
- Dispose of the spring and any remaining media.

Recycling Guide

November 2024

Product Producer

Zebra Technologies Corporation

3 Overlook Point, Lincolnshire, Illinois 60069

Product Description

Models:

10015355K, 10006995K

Hazardous Substances and Preparations

This product does not contain any of the or restricted materials listed in Zebra's global environmental compliance specification.

Packaging

The packaging materials used for this product do not contain any of the banned materials listed in the EU packaging directive.

Recycling Information

Zebra Technologies offers product recycling programs in certain geographic areas. To determine if a program is available for this product in your area, please refer to our website at: zebra.com/environment.

This product is designed with the following features to enhance recycling:

- The plastic is made from ocean bound post-consumer PET material.
- Glues and adhesives have been eliminated from product construction where feasible.
- Use of common fasteners and/or snap-in features.
- Plastic parts weighing more than 25 g (0.88 oz) are marked according to ISO 11469 standards except where impractical.



NOTE: This document was compiled from information available at the time of publication and is issued only as an information source. No warranty as to accuracy or completeness is expressed or implied. This document is subject to change without notice.