



**Mobile Printing Systems
CPCL Programming Manual**

PROPRIETARY STATEMENT

This manual contains proprietary information of Zebra Technologies Corporation. It is intended solely for the information and use of parties operating and maintaining the equipment described herein. Such proprietary information may not be used, reproduced, or disclosed to any other parties for any other purpose without the expressed written permission of Zebra Technologies Corporation.

Product Improvements

Since continuous product improvement is a policy of Zebra Technologies Corporation, all specifications and signs are subject to change without notice.

Liability Disclaimer

Inasmuch as every effort has been made to supply accurate information in this manual, Zebra Technologies Corporation is not liable for any erroneous information or omissions. Zebra Technologies Corporation reserves the right to correct any such errors and disclaims liability resulting therefrom.

No Liability for Consequential Damage

In no event shall Zebra Technologies Corporation or anyone else involved in the creation, production, or delivery of the accompanying product (including hardware and software) be liable for any damages whatsoever (including, without limitation, damages for loss of business profits, business interruption, loss of business information, or other pecuniary loss) arising out of the use of or the results of use of or inability to use such product, even if Zebra Technologies Corporation has been advised of the possibility of such damages. Because some states do not allow the exclusion of liability for consequential or incidental damages, the above limitation may not apply to you.

Copyrights

The copyrights in this manual and the label print engine described therein are owned by Zebra Technologies Corporation. Unauthorized reproduction of this manual or the software in the label print engine may result in imprisonment of up to one year and fines of up to \$10,000 (17 U.S.C.506). Copyright violators may be subject to civil liability.

This product may contain ZPL®, ZPL II®, and ZebraLink™ programs; Element Energy Equalizer® Circuit; E3®; and AGFA fonts. Software © ZIH Corp. All rights reserved worldwide. ZebraLink and all product names and numbers are trademarks, and Zebra, the Zebra logo, ZPL, ZPL II, Element Energy Equalizer Circuit, and E3 Circuit are registered trademarks of ZIH Corp. All rights reserved worldwide.

Monotype®, Intellifont® and UFST® are trademarks of Monotype Imaging, Inc. registered in the United States Patent and Trademark Office and may be registered in certain jurisdictions.

Andy™, CG Palacio™, CG Century Schoolbook™, CG Triumvirate™, CG Times™, Monotype Kai™, Monotype Mincho™ and Monotype Sung™ are trademarks of Monotype Imaging, Inc. and may be registered in some jurisdictions.

HY Gothic Hangul™ is a trademark of Hanyang Systems, Inc.

Angsana™ is a trademark of Unity Progress Company (UPC) Limited.

Andale®, Arial®, Book Antiqua®, Corsiva®, Gill Sans®, Sorts® and Times New Roman® are trademarks of The Monotype Corporation registered in the United States Patent and Trademark Office and may be registered in certain jurisdictions.

Century Gothic™, Bookman Old Style™ and Century Schoolbook™ are trademarks of The Monotype Corporation and may be registered in certain jurisdictions.

HGPGothicB is a trademark of the Ricoh company, Ltd. and may be registered in some jurisdictions.

Unvers™ is a trademark of Heidelberger Druckmaschinen AG, which may be registered in certain jurisdictions, exclusively licensed through Linotype Library GmbH, a wholly owned subsidiary of Heidelberger Druckmaschinen AG.

Futura® is a trademark of Bauer Types SA registered in the United States Patent and Trademark Office and may be registered in some jurisdictions.

TrueType® is a trademark of Apple Computer, Inc. registered in the United States Patent and Trademark Office and may be registered in certain jurisdictions.

All other brand names, product names, or trademarks belong to their respective holders.

©2011 ZIH Corp.

CONTENTS

PROPRIETARY STATEMENT	ii
INTRODUCTION	1-1
PROGRAMMING LANGUAGE EMULATION	1-1
Programming Language Recommendations	1-2
GETTING PRINTER INFORMATION	1-2
Getting Printer Information Example	1-4
Getting Printer Information Example (continued)	1-5
Communications Diagnostics Mode	1-6
LABEL COORDINATE SYSTEM	1-7
LABEL VISTA™	1-8
PRINTER COMMANDS	2-1
TEXT	3-1
Resident Font Examples	3-1
Using Font Groups	3-6
SCALABLE TEXT	4-1
LINEAR BAR CODES	5-1
Introduction	5-1
Resident Linear Bar Code Samples	5-2
UPC and EAN/JAN Bar Codes	5-3
Code 39 or Code 3 of 9 Bar Codes	5-6
Code 93 or Code 9 of 3 Bar Codes	5-8
Interleaved 2 of 5 Bar Codes	5-9
Code 128 and the UCC-128 Shipping Standard	5-10
Codabar	5-11
MSI Plessey Bar Codes	5-12
Postnet and Facing Identification Marks	5-13
Bar Code Commands	5-14
REDUCED SPACE SYMBOLOGY AND COMPOSITE SYMBOLS	5-20
RSS SYMBOLOGY	5-20

RSS Limited	5-20
RSS-14	5-20
RSS Expanded	5-21
RSS Stacked	5-21
RSS-Truncated	5-21
RSS-14 Stacked Omnidirectional	5-21
RSS/Composite Symbologies	5-21
Composite Code A atop RSS Limited:	5-22
Composite Code B atop Code 128	5-22
Composite Code-C atop Code 128	5-22
TWO DIMENSIONAL BARCODES	6-1
Introduction	6-1
PDF417	6-1
MaxiCode	6-1
QR Code	6-2
Two Dimensional Barcode Commands	6-2
GRAPHICS	7-1
ADVANCED COMMANDS	8-1
Using Format Files	8-25
MCR Commands	8-32
LINE PRINT MODE	9-1
Introduction	9-1
Special Commands Using the Utility Function	9-3
Special ASCII Characters	9-10
Tearing or Cutting the Paper	9-14
Designing a Receipt	9-17
ADVANCED UTILITIES	10-1
Magnetic Card Reader (MCR) Command	10-23
DENSO BHT COMMANDS	10-38
PRINTER ESCAPE COMMANDS	11-1
SET AND READ CODE COMMAND	11-1

STATUS/INFORMATION	11-2
USER LABEL COUNT	11-5
Power Off Command	11-6
WIRELESS NETWORK PRINTERS	12-1
Introduction	12-1
Network Printer Safety Consideration	12-1
Setting the IP Address for Network Printers	12-8
Network Printer Troubleshooting	12-10
Wireless LAN Report Example	12-11
Introduction:	13-1
Example 1:	13-1
Example 2:	13-5
Table 1: WML Tags used on QL and RW Series Printers	13-7
CONFIGURATION/CONTROL COMMANDS	14-1
Introduction	14-1
Command Format	14-1
Commands / Parameters	14-2
Bluetooth® Parameters	14-3
Comm Port Parameters	14-18
Device Parameters	14-20
Display Parameters	14-33
File Parameters	14-35
Printer Mechanism Parameters	14-39
Input Parameter	14-42
Media Parameters	14-46
Memory Parameters	14-49
Network Management Parameters	14-52
Setting Avalanche Parameters with CPCL	14-56
Odometer Parameters	14-64
Power Parameters	14-66
Test Function Parameters	14-77
Print Parameters	14-78

continued

Networking Parameters	14-80
Frequency Hopping Spread Spectrum (FHSS) Radio Compatibility.	14-133
WLAN Parameters	14-133
wlan.associated	14-134
Roaming Commands	14-186
International Mode	14-189
RFID Parameters	14-190
USB Parameters	14-196
Zebra Printer Mirror Process	14-200
Internal Wired Parameters	14-209
Interface Parameters	14-232
PRINTER CONFIGURATION AND SETUP	15-1
Using Label Vista for Printer Configuration	15-1
Using Label Vista for Wireless Configuration	15-4
Power Management	15-4
Batch Files	15-6
INDEX	Index-1
APPENDIX A- FREQUENTLY ASKED QUESTIONS	A-1
APPENDIX B- INTERFACE CABLES	A-3
APPENDIX C- CHARACTER TABLES	A-9
APPENDIX D - FONT INFORMATION	A-13
Font Names	A-13
Font Heights	A-13
Fixed-Width Fonts	A-14
Proportional Width Fonts	A-14
APPENDIX E-BAR CODE QUICK REFERENCE	A-17
APPENDIX F - PRODUCT SUPPORT	A-19
Media Supplies	A-19
Maintenance Supplies	A-19
Contact Us	A-20

INTRODUCTION

This manual details the various commands in the CPCL language which enable the programmer to utilize the built in text, graphics, bar code printing and communications capabilities of Zebra mobile printers. The following notation conventions are used throughout this manual:

- { } Required item
- [] Optional item
- () Abbreviated command
- < > Literal item

A space character is used to delimit each field in a command line.

Many commands are accompanied by examples of the command in use. After the word "Input" in each example, the set of commands are displayed followed by a sample printout ("Output")resulting from the printer processing those commands.

PROGRAMMING LANGUAGE EMULATION

Zebra Mobile Printers can emulate the EPL2™ and ZPL® programming languages used by other types of Zebra printers. Some printers using emulation must be configured with more memory and have a special emulation program loaded. For more information on the appropriate uses of these languages, refer to the following language comparison chart:

Programming Language Recommendations

Language	Native in	Recommended Use
CPCL	QL, RW MZ, EZ320 and older Comtec® models	<ul style="list-style-type: none"> • In new installations of mobile printers, where CPCL is easily integrated into the host application • When older Comtec models are being upgraded- so that the customer can use existing application without code modifications
ZPL (emulation available on QL series, standard. on QL plus, RW & MZ Series)	PA/PT Series mobile, printers, Zebra High Performance/ Industrial/Commercial printers, R-140 RFID printer, LP/TLP 2844-Z and PAX applicator printers	<ul style="list-style-type: none"> • When an installation already uses ZPL as a standard language and needs to maintain a consistent language for all thermal printers. • When certain printer functions are not available in CPCL or EPL, such as: (ZBI, Datamatrix, Code 11, Micro PDF) • When replacing a PA/PT 40x, or another Zebra printer using ZPL, with a Zebra mobile printer
EPL (emulation available on QL or Cameo series and standard on RW, QL plus & MZ series)	Zebra Desktops, R402 (RFID printer), TR 220, PS 21xx and PS 4000 series print systems	<ul style="list-style-type: none"> • When an installation already uses EPL as a standard language and needs to maintain a consistent language for all thermal printers. • If you are replacing Eltron Transport or Xport mobile printers, a Zebra mobile with an EPL emulation will ease the transition.



Note: QL Plus and RW printers have EPL and ZPL emulation built into their operating system. See the “device.languages” command under the “Device Parameters” topic in Section 14 for more information on setting programming languages with these products.

GETTING PRINTER INFORMATION

The printer can produce a report containing information about the application resident in printer memory. A report similar to the example printouts shown on the following pages can be obtained from your printer by doing the following:

1. Turn the printer OFF.
2. While holding the FEED key down, turn the printer ON.
3. When printing begins, release the FEED key.

The printer prints a line of interlocking "x" characters and then produces two reports. The first report indicates the printer model, ROM version, serial number, baud rate, etc.

The second report contains application information. The last digits in the application number indicate the software version.(e.g. "Software: HTLK40d" indicates a software version of 40.) If no second report appears, there is no application loaded.

The Wireless Communications report will appear if a Short Range Radio (SRRF), infrared (IrDA) or wireless LAN (RF LAN) option has been installed in the printer. If no wireless options are installed, the Wireless Communications Section will consist of a blank line.

The RF LAN Information section will only appear on Network Printers (units equipped with a WLAN card). Network printers are covered in detail in Section 12 of this manual.

The Label section shown in the second report reports the maximum size label that can be printed, based on a printer resolution of 203 dots/inch (8 dots/mm).

In the example, the Label Height is 65535 dots, which means for a label width of 384 dots (1.88 inches or 48 mm), you can print labels up to 32.2 inches (8191 mm) long. Reducing the label width results in a corresponding increase in the maximum label length.

Getting Printer Information Example

```

XXXXXXXXXXXXXXXXXXXXXXXXXXXXXXXXXXXXXXXXXXXXXXXXXXXXXXXXXXXXXXXXXXXXXXXXXXXX
Zebra RW 420 V90.06 08/24/04
CHK: 2A57
RW420
Build Date Aug 24 2004 09:34:07
RELEASE BUILD
BIG ENDIAN
Testing Memory...
Memory tested and OK
Baud Rate: 115200 BPS
In-activity Timeout: 0 Secs
Low battery Shut-down: 174
End of report.
    
```

```

Zebra RW 420 V90/03 09/10/04
Serial Number:
XXXXXXXXXXXXXXXXXXXXXXXXXXXXXXXXXXXXXXXXXXXXXXXXXXXXXXXXXXXXXXXXXXXXXXXXXXXX

Name: 123
Program:
Firmware: RW420
Chksun: 062A
Software: SHSD03p
Chksun: 18A4
Ver: 1.1.090.06.10218.R21.721_A03
Cable Communications:
115200 BPS, N,8,1
Handshake: hardware
DSR: 1
Bridge mode: off
Universal Serial Bus:
2.0 Full Speed Device
Vendor ID No: 0a5f
Product ID No: 003e
Manufacturer String: Zebra
Product String: RW-420
Wireless Communications:
Bluetooth:
.version 1.3.0
.date 08/19/04
.baud 57600
.device printer
.mode slave
.local_name 123
.authentication off
.discoverable on
.encryption off
.radio_version 1.2
.afh_mode off

.address 00:03:7A:0B:AE:97
    
```

```

XXXXXXXXXXXXXXXXXXXXXXXXXXXXXXXXXXXXXXXXXXXXXXXXXXXXXXXXXXXXXXXXXXXXXXXXXXXX
00037A0BAE97
XXXXXXXXXXXXXXXXXXXXXXXXXXXXXXXXXXXXXXXXXXXXXXXXXXXXXXXXXXXXXXXXXXXXXXXXXXXX

TCP: Sep 10 2004 15:24:03
WLAN Enable: ON
WWAN Enable: OFF
IP Address: 10.14.2.40
Netmask: 255.255.255.0
Gateway: 10.14.2.1
MTU: 1522
TCP/UDP Port: 6101
Remote Server: 0.0.0.0
Remote Server Port: 10013
TCP: ON
UDP: ON
LPD: ON
DHCP: ON
BOOTP: OFF
FTP: ON
HTTP: ON
SMTP: ON
POP3: OFF
SNMP: ON
TELNET: ON
Remote Auto-connect: OFF
DHCP CID type: 1
VPN: OFF
    
```

Print Head Test

End of First Report

Unit Serial Number

Software and
 Firmware installed

Settings for RS232 and
 USB communications
 via cable

Report appears only
 on units with wireless
 options installed.

Units with no wireless
 options will print an
 empty line and resume
 printing

This example has
 a Bluetooth radio
 module installed.

Information on TCP/IP
 and LAN addresses
 and settings.

```

PCMCIA/CF Adapter
Build Date: Aug 24 2004
Build Time: 10:29:25

Drivers Installed for
Symbol 802.11b PC LAN Radio
Symbol 802.11b CF LAN Radio
Cisco 802.11b PC LAN Radio
Symbol 802.11 FH PC LAN Radio
Zebra 802.11b Embedded Radio

Card Detected.

Spectrum24 802.11b
MAC Address: 00:a0:f8:5e:2e:b1
Operating Mode: infrastructure
International Mode: off
Preamble Length: long
Power Save: best
Encryption: off
Authentication: open system
LEAP: off
karberos: off
Stored ESSID: TJX_2100
Associated ESSID: TJX_2100

GPRS Device
Status: GPRS Wakeup
ID:
IMEI:
Signal: 00
IP:
Data Comp: off
Header Comp: off
Req QoS:
Min QoS:

Network Management:
Peripherals:
MCR 3.00
SCARD 3.02
LCD: Installed
Expansion module: 0xF5
802.11/B Compact Flash and BL
uetooth
Power Management:
In-activity Timeout: 0 Secs
Low-battery Timeout: 60 Secs
Remote(DTR) pwr-off: Enabled
Voltage : 8.23(211)
Low-bat Warning : 7.10(182)
Low-bat Shut-down: 6.79(174)
Power On Cycles : 269

Memory:
Flash : 4194303 Bytes
RAM : 8388607 Bytes
Label:
Width : 832 dots, 104 mm
Height : 57927 dots, 7240 mm
Sensors: (Adj)
Pres [DAC: 0, Thr: 120, Cur: 255]
Label: Removed
Media [255 (384 dots)]
Gap [DAC: 113, Thr: 30, Cur: 81]
Bar [DAC: 109, Thr: 70, Cur: 11]
Temperature : 171
Voltage : 8.23(211)

Resident Fonts:
Font: Chars
    
```

Information on any
 installed 802.11x
 wireless devices
 In this example, an
 802.11b WLAN card
 has been detected.

List of peripherals
 installed. In this
 example the printer
 has the Mag Card
 and SmartCard
 reader option,
 and the wireless
 expansion module
 has an 802.11b and
 Bluetooth wireless
 module¹.

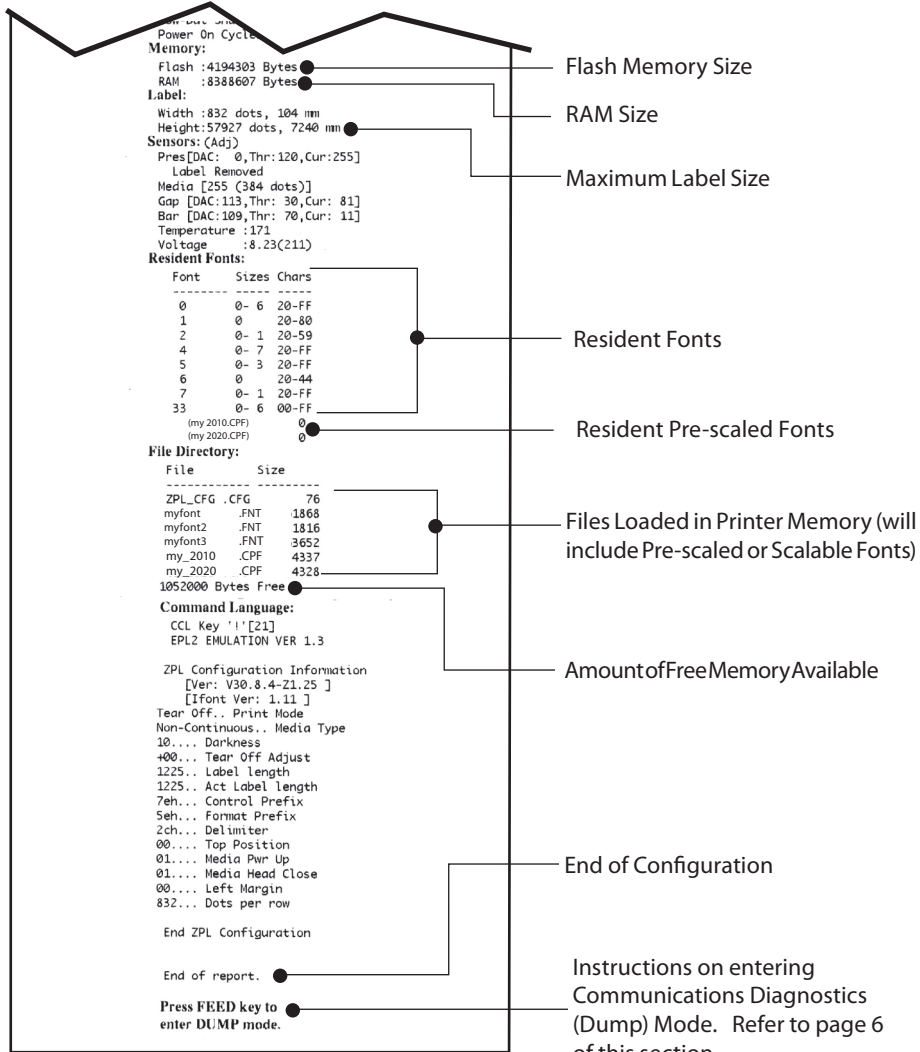
List of power man-
 agement settings.
 Also includes a
 count of the number
 of times the unit has
 been powered on.



Dual radio units as illustrated above are available only on models RW 420, QL 220 plus and QL 420 plus.

continued

Getting Printer Information Example (continued)



Communications Diagnostics Mode

To aid the user in diagnosing communications problems, the printer features a Communications Diagnostics Mode (Dump Mode). In the dump mode, the printer will print the ASCII hex codes of the data sent to it, and their text representation (or the period '.', if not a printable character). As a test of the printer the "ALL CHRSL.LBL" file on the MPU disk may be sent.

To enter Communications Diagnostics Mode:

1. Turn the printer OFF.
2. Hold FEED key down.
3. Turn the printer ON.
4. Release FEED key when printer starts printing the diagnostics.
5. At the end of 2nd diagnostics report, the printer will print: "Press FEED key to enter DUMP mode".
6. Now press the FEED key. The printer will print: "Entering DUMP mode".



Note: If the FEED key is not pressed within 3 seconds, the printer will print "DUMP mode not entered" and will resume normal operation.

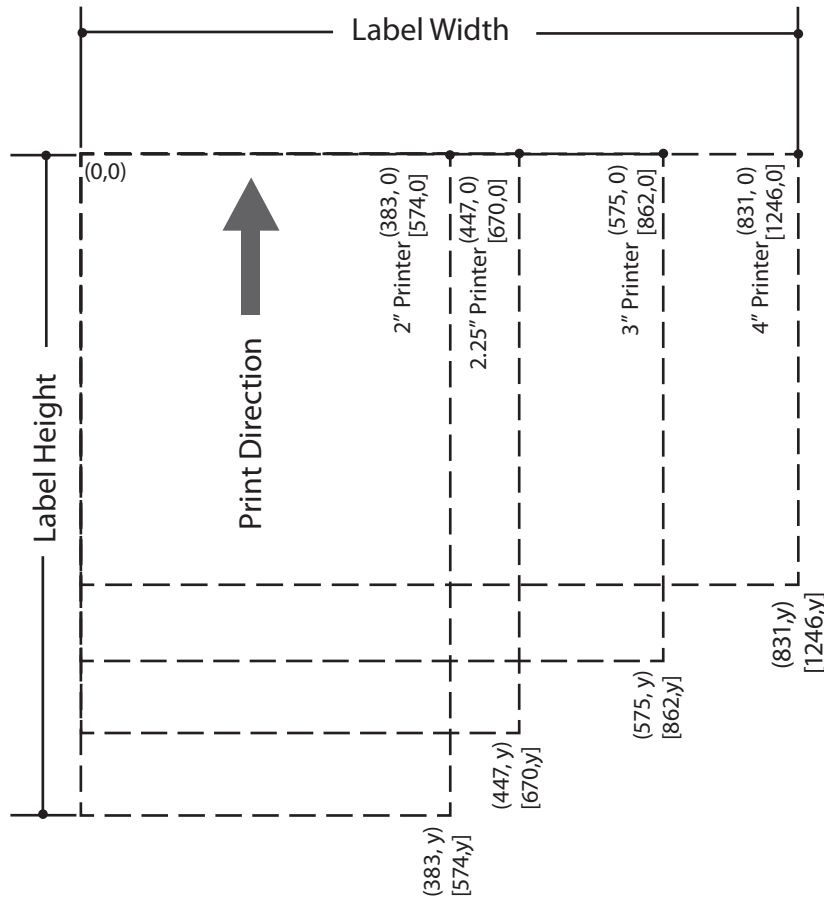
7. At this point, the printer is in DUMP mode and will print the ASCII hex codes of the data sent to it, and their text representation (or "." if not a printable character).
Additionally, a file with a ".dmp" extension containing the ASCII information will be created and stored in the printer's memory. It can be viewed, "cloned" or deleted using the Label Vista application. (Refer to pg. P1-8 and the Label Vista documentation for more information.)

To cancel Communications Diagnostics Mode:

1. Turn the printer OFF.
2. Wait 5 seconds.
3. Turn the printer ON.

LABEL COORDINATE SYSTEM

The x and y coordinates are expressed here in terms of dots. Coordinates in () are for 200 dot per inch printers. On 200 d.p.i. printers, 8 dots (either horizontally or vertically) equal 1 millimeter and 203 dots equate approximately to 1 inch.



Coordinates in [] are for 300 dot per inch printers. On 300 d.p.i. printers 12 dots equal 1 millimeter, and 305 dots equate approximately to 1 inch.



Notes: 1. Coordinates refer to the actual printing area of the printers.

2. "y" = the available label height which can vary with the resident application. (See Getting Printer Information, Page 3 of this section.)

LABEL VISTA™

Label Vista is a stand-alone program for the Windows® operating system that allows users with little or no programming background to design labels which can be printed on certain model Zebra portable printers. It combines an intuitive graphically based user environment with powerful, but easily mastered, editing tools.

Label Vista allows the creation of printable, fixed-size (pre-scaled) fonts derived from an included library of TrueType™ fonts, which greatly enhances the versatility of this program.

In addition, Label Vista allows the easy creation of format files which can remain resident in the printer and be merged with variable data files sent from the host. This provides a very efficient method of printing labels that have a mixture of data fields that change from label to label and elements that remain constant. Refer to Section 8 of this Manual for more information on format files.

Label Vista also provides a powerful set of diagnostics tools. It is recommended that the Label Vista documentation package be consulted for a more detailed description of the printer diagnostics available in this program.

Label Vista utilizes a subset of the full CPCL Programming Language described in this manual. Files created in Label Vista are fully compatible with any other label files created using the complete set of Mobile Printer commands.

Label Vista requires a personal computer, running Windows 95 or later. A system with the minimum configuration to run Windows 95 will have sufficient memory to run Label Vista.



Note: Label Vista has proven to be compatible with Windows XP in informal testing, however, compatibility problems with certain unusual combinations of hardware and software may arise.

PRINTER COMMANDS

A label file always begins with the “!” character followed by an “x” offset parameter, “x” and “y” axis resolutions, a label length and finally a quantity of labels to print. The line containing these parameters is referred to as the Command Start Line.

A label file always begins with the Command Start Line and ends with the “PRINT” command. The commands that build specific labels are placed between these two commands.

A space character is used to delimit each field in a command line.



Note: Every line in the command session must be terminated with both carriage-return and line-feed characters. All Printer Commands must be in uppercase characters ONLY.

Printer Commands

Format:

`<!> {offset} <200> <200> {height} {qty}`

where:

`<!>`: Use '!' to begin a control session.

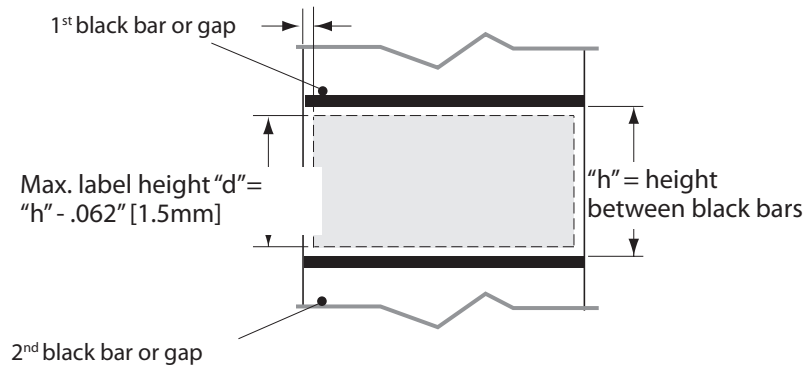
`{offset}`:The horizontal offset for the entire label. This value causes all fields to be offset horizontally by the specified number of UNITS.

`<200>`:Horizontal resolution (in dots-per-inch).

`<200>`:Vertical resolution (in dots-per-inch).

`{height}`:The maximum height of the label.

The maximum label height is calculated by measuring from the bottom of the first black bar (or label gap) to the top of the next black bar (or label gap). Then 1/16" [1.5mm] is subtracted from this distance to obtain the maximum height. (In dots: subtract 12 dots on 203 d.p.i printers; 18 dots on 306 d.p.i. printers)



`{qty}`: Quantity of labels to be printed. Maximum = 1024.

Printer Command Example

Input

```
! 0 200 200 210 1  
TEXT 4 0 30 40 Hello World  
FORM  
PRINT
```

Output

Hello World

PRINT Command

The PRINT command terminates and prints the file. This must always be the last command (except when in Line Print Mode). Upon execution of the PRINT command, the printer will exit from a control session. Be sure to terminate this and all commands with both carriage-return and line-feed characters.

Format:

{command}

where:

{command}: PRINT

END Command

The END command properly terminates a command and executes it without printing.

Format: END

{command}

where:

{command}: END

Example:

REM Send a blank label

```
! 0 200 200 240 1\r\n
PAGE-WIDTH 240\r\n
BOX 0 0 200 200 10\r\n
BOX 50 50 220 220 10\r\n
END\r\n
```

ABORT Command

The ABORT command terminates a current control session without printing.

Format:

{command}

where:

{command}: ABORT

ENCODING Command

The ENCODING control command specifies the encoding of data sent to the printer.

Format:

```
{command} {name}
{command}: ENCODING
{name}:          Choose from the following
```

```
"ASCII"
"UTF-8"
"GB18030"
```

ENCODING Example

Input (ENCODING.LBL):

```
! 0 200 200 200 1
ENCODING GB18030
TEXT GBUNSG24.CPF 0 20 30 Font: GBUNSG24 ,t,u
ENCODING ASCII
TEXT 7 0 20 80 Font 7, Size 0
PRINT
```

Output

Font: GBUNSG24 俚御

Font 7, Size 0

FORM Command

The FORM command instructs the printer to feed to top of form after printing.

Format:

{command}

where:

{command}: FORM

In the following example, the printer will execute a form feed after the label is printed. See the SETFF (set form feed) command in the section on designing receipts and lists for information on setting printer behavior when the FORM command is executed.

Example

Input:

```
! 0 200 200 3 1
IN-CENTIMETERS
CENTER
TEXT 4 1 0.5 Form Command
FORM
PRINT
```

JOURNAL Command

By default, the printer will check for correct media alignment if it encounters the eye-sense mark (black horizontal bars on back of media) during a print cycle (LABEL mode). If necessary, the JOURNAL command can be used to disable this automatic correction feature. The user's program is responsible for checking and assuring presence of paper in JOURNAL mode. Please refer to the status inquiry command for details on checking for out-of-paper condition.

Format:

{command}

where:

{command}: JOURNAL

UNITS Commands

The units commands are used to specify a measurement system for all subsequent command fields in a control session. Coordinates, widths, and heights for all control commands can be entered with precision to four decimal places. By placing a units command immediately after the first line in a control session, the specified measurement system will also apply to the offset and height fields. The printer measurement system will default to dots until a units command is issued.

Format:

{command}

where:

{command}: Choose from the following:

IN-INCHES Measurement in inches.

IN-CENTIMETERS Measurement in centimeters.

IN-MILLIMETERS Measurement in millimeters.

IN-DOTS Measurement in dots.

UNITS Examples

Input 1 :

! 0.3937 200 200 1 1
IN-INCHES
T 4 0 0 0 1 cm = 0.3937"
IN-DOTS
T 4 0 0 48 1 mm = 8 dots
B 128 1 1 48 16 112 UNITS
T 4 0 48 160 UNITS
FORM
PRINT

Output 1:

1 cm = 0.3937"
1 mm = 8 dots



Input 2

! 0 200 200 2.54 1
IN-CENTIMETERS
T 4 0 1 0 1" = 2.54 cm
IN-MILLIMETERS
T 4 0 0 6 203 dots = 25.4 mm
B 128 0.125 1 6 12 14 UNITS
T 4 0 16 20 UNITS
FORM
PRINT

Output 2

1" = 2.54 cm
203 dots = 25.4 mm



USING COMMENTS

Comments can be added between the first line of a command session and the "PRINT" command.

A comment is placed in the file by starting a line with the ';' character in the first column. Any remaining text to the end of the line will be ignored. Comments are illegal between the CONCAT and ENDCONCAT commands.

Comments Example

Input:

```
! 0 200 200 25 1
IN-MILLIMETERS
JOURNAL
; Center justify text
CENTER
; Print the words 'A COMMENT'
TEXT 5 1 0 5 A COMMENT
; Print the label and go to top of next form
FORM
PRINT
```

Output:

A COMMENT

TEXT

Resident Font Examples

Font#: Size:

0 0

Aa Bb Cc Dd Ee Ff Gg Hh Ii Jj Kk Ll Mm Nn Oo

\$01.23456789¢ \$0123456789 \$0123456789 \$0123

Font#: Size:

0 3

Aa Bb Cc Dd Ee Ff Gg

\$01.23456789¢ \$0123

Font#: Size:

0 6

Aa Bb Cc Dd

\$01.2345678¢

Font#: Size:

0 1

Aa Bb Cc Dd Ee Ff Gg

\$01.23456789¢ \$0123

Font#: Size:

0 4

Aa Bb Cc Dd

\$01.2345678¢

Font#: Size:

1 0

Aa Bb Cc Dd Ee Ff Gg

\$01.23456789¢ \$0123

Font#: Size:

0 2

Aa Bb Cc Dd Ee Ff Gg Hh Ii Jj Kk Ll Mm Nn Oo

\$01.23456789¢ \$0123456789 \$0123456789 \$0123

Font#: Size:

0 5

Aa Bb Cc Dd Ee Ff Gg

\$01.23456789¢ \$0123

Font#: Size:

2 0

A C D

*01.23456789

Font#: Size:

0 6

Aa Bb Cc Dd

\$01.2345678¢

Resident Font Examples (continued)

Font#: Size:
4 0

Aa Bb Cc Dd Ee Ff
\$01.23456789¢

Font#: Size:
4 1

Aa Bb Cc \$123

Font#: Size:
4 2

\$120.34

Font#: Size:
4 3

\$120.34

Font#: Size:
4 4

\$120.34

Font#: Size:
4 5

\$120.34

Font#: Size:
4 6

\$120.34

Font#: Size:
4 7

\$120.34

TEXT Commands

The TEXT command is used to place text on a label. This command and its variants control the specific font number and size used, the location of the text on the label, and the orientation of this text. Standard resident fonts can be rotated in 90° increments as shown in the example.

Format:

{command} {font} {size} {x} {y} {data}

where:

{command}: Choose from the following:

{command}	Result
TEXT (or T)	Prints text horizontally.
VTEXT (or VT)	Prints text (vertically) rotated 90 degrees counterclockwise.
TEXT90 (or T90)	(Same as VTEXT above.)
TEXT180 (or T180)	Prints text (upside down) rotated 80 degrees counterclockwise.
TEXT270 (or T270)	Prints text (vertically) rotated 270 degrees counterclockwise.

{font}: Name/number of the font.

{size}: Size identifier for the font.

{x}: Horizontal starting position.

{y}: Vertical starting position.

{data}: The text to be printed.

Example
Input:

```
! 0 200 200 210 1  
TEXT 4 0 200 100 TEXT  
TEXT90 4 0 200 100 T90  
TEXT180 4 0 200 100 T180  
TEXT270 4 0 200 100 T270  
FORM  
PRINT
```

Output:

```
06L  
TEXT  
1180  
11270
```

Using Font Groups

FONT-GROUP (FG) Command

The FG command gives a user the ability to group up to 10 pre-scaled font files into a single group. A user can later specify the font group in a TEXT command. If a font group is used in a text command, the printer will use the largest font specified in the font group that will produce the required text data and still remain within the available width of the label for the text. When specified in the TEXT command, the {font} parameter is specified as FG, and the {size} parameter is specified as the {fg}. Note that a user can also specify an FG command within a CONCAT/ENCONCAT command.

Format:

{command} {fg fn fs} [fn fs] ...

where:

{command}: FG

{fg}: Font group number. Up to 10 font groups can be specified. Valid font groups range from 0 to 9.

{fn}: Name/number of the font.

{fs}: Size identifier for the font.



NOTE: Up to 10 font number/font size pairs can be assigned to a font group.

Example
Input:

```
! 0 200 200 250 1  
; Specify fonts 0-0, 7-0, 5-0, 4-0 as members  
; of font group 3.  
FG 3 0 0 7 0 5 0 4 0  
VT FG 3 10 250 Ketchup  
VT FG 3 70 250 Fancy Ketchup  
VT FG 3 120 250 Extra Fancy Ketchup  
VT FG 3 180 250 Large Size Extra Fancy Ketchup  
FORM  
PRINT
```

Output:

Ketchup
Fancy Ketchup
Extra Fancy Ketchup
Large Size Extra Fancy Ketchup



In this example, the descriptions will be printed with the largest font in the specified font group that is capable of fitting the requested text in a 250 dot label field.

TEXT Concatenation Commands (CONCAT and VCONCAT)

Text concatenation allows you to assign different character styles to strings, printing them with uniform spacing on the same text line. This command can be used in combination with scalable fonts. See Scalable Concatenation Commands

Format:

```
{command} {x} {y} {font} {size} {offset} {data} " " " " {font} {size} {offset} {data} <ENDCONCAT>
```

where:

{command}: Choose from the following:

CONCAT: Horizontal concatenation.

VCONCAT: Vertical concatenation.

{x}: Horizontal starting position.

{y}: Vertical starting position.

{font}: Name/number of the font.

{size}: Size identifier for the font.

{offset}: Unit-value to offset text from the starting position. Used to align individual text strings or create superscript/subscript characters.

{data}: Text to be printed.

<ENDCONCAT>: Terminates concatenation.

Text Concatenation Example

Input:

```
! 0 200 200 210 1  
CONCAT 75 75  
4 2 5 $  
4 3 0 12  
4 2 5 34  
ENDCONCAT  
FORM  
PRINT
```

Output:

\$12³4

MULTILINE (ML) Commands

MULTILINE (ML) allows you to print multiple lines of text using the same font and line-height.

Format:

```
{command} {height}
    {text} {font} {size} {x} {y}
    {data}
    "
    {data}
<ENDMULTILINE>
```

where:

{command}: MULTILINE (or ML)- Prints multiple lines of text.

{height}: Unit-height for each line of text.

{text}: Text command (TEXT, VTEXT, etc.).

{font}: Name/number of the font.

{size}: Size identifier for the font.

{x}: Horizontal starting position.

{y}: Vertical starting position.

{data}: Text to be printed.

<ENDMULTILINE> (or ENDML): Terminates MULTILINE.

ML Command Example

Input:

```
! 0 200 200 210 1
ML 47
TEXT 4 0 10 20
1st line of text
2nd line of text
:
Nth line of text
ENDML
FORM
PRINT
```

Output:

```
1st line of text
2nd line of text
:
Nth line of text
```

COUNT Command

The COUNT command is used for printing multiple labels where a numeric text field or numeric data encoded in a bar code is to be incremented or decremented for each label. The TEXT/BARCODE command string must contain this numeric data as the last characters of the string. The numeric data portion can be up to 20 characters, and can be preceded by the '-' sign. Incrementing or decrementing the numeric data thru '0' is not allowed. Leading zeros will be retained. Up to three COUNT commands can be used in a label file.

The numeric data incremented/decremented is contained in the TEXT or BARCODE command that immediately preceded the COUNT command.

Format:

{command} {numeric value}

where:

{command}: COUNT

{numeric value}: Any integer value up to 20 characters. The value can be preceded by a '-' sign if decrementing of the TEXT/BARCODE value is desired. Leading zeros will be retained in the output.

COUNT Command Example

Input:

```
! 0 200 200 210 3  
; Print 3 labels  
CENTER  
TEXT 4 0 0 50 TESTING 001  
COUNT 1  
TEXT 7 0 0 100 Barcode Value is 123456789  
COUNT -10  
BARCODE 128 1 1 50 0 130 123456789  
COUNT -10  
FORM  
PRINT
```

Output:

TESTING 001

Barcode Value is 123456789



TESTING 002

Barcode Value is 123456779



TESTING 003

Barcode Value is 123456769



SETMAG Command

The SETMAG command magnifies a resident font to the magnification factor specified.

Format:

{command} {w} {h}

where:

{command}: SETMAG

{w}: Width magnification of the font. Valid magnifications are 1 thru 16.

{h}: Height magnification of the font. Valid magnifications are 1 thru 16.



NOTE: The SETMAG command stays in effect after printing a label. This means that the next label printed will use the most recently set SETMAG values. To cancel any SETMAG values and allow the printer to use its default font sizes, use the SETMAG command with magnifications of 0,0.

SETMAG Command Example

Input:

```
! 0 200 200 210 1
CENTER
SETMAG 1 1
TEXT 0 0 0 10 Font 0-0 at SETMAG 1 1
SETMAG 1 2
TEXT 0 0 0 40 Font 0-0 at SETMAG 1 2
SETMAG 2 1
TEXT 0 0 0 80 Font 0-0 at SETMAG 2 1
SETMAG 2 2
TEXT 0 0 0 110 Font 0-0 at SETMAG 2 2
SETMAG 2 4
TEXT 0 0 0 145 Font 0-0 at SETMAG 2 4
; Restore default font sizes
SETMAG 0 0
FORM
PRINT
```

Output:

```
Font 0-0 at SETMAG 1 1
Font 0-0 at SETMAG 1 2
Font 0-0 at SETMAG 2 1
Font 0-0 at SETMAG 2 2
Font 0-0 at SETMAG 2 4
```

SCALABLE TEXT

Scalable text allows a user to print text at any point size. Point size can be specified for both the X and Y directions to produce characters that are “stretched” in either their width or height. Point sizes specified and text produced will print at 72 points equating to one inch (25.4mm).

The printer can contain scalable font files as part of the application, or scalable font files can be downloaded to the printer using one of the utilities on the supplied disk. A scalable text file must be present in your printer’s memory in order to use scalable text features.

SCALE-TEXT Commands

The SCALE-TEXT commands allow the user to specify the point size of both the width and height of the font.

Format:

{command} {name} {width} {height} {x} {y} {data}

where:

{command}: SCALE-TEXT (or ST): Prints scaled text horizontally.

VSCALE-TEXT (or VST): Prints scaled text vertically.

{name}: Font name.

{width}: Font width (point size).

{height}: Font height (point size).

{x}: Horizontal starting position.

{y}: Vertical starting position.

{data}: Text to be printed.

SCALE-TEXT Example:

Input:

```
! 0 200 200 300 1  
CENTER  
; Print using x and y scales of 10 points  
SCALE-TEXT PLL_LAT.CSF 10 10 0 10 10 POINT FONT  
; Print using x scale of 20 points and y scale  
; of 10 points  
SCALE-TEXT PLL_LAT.CSF 20 10 0 80 WIDER FONT  
; Print using x scale of 10 points and y scale  
; of 20 points  
SCALE-TEXT PLL_LAT.CSF 10 20 0 150 TALLER FONT  
FORM  
PRINT
```

Output:

10 POINT FONT
WIDER FONT
TALLER FONT

SCALE-TO-FIT Commands

The SCALE-TO-FIT commands automatically calculate the scale in order to fit text inside a window.

Format:

{command} {name} {width} {height} {x} {y} {data}

where:

{command}: Choose from the following:

SCALE-TO-FIT (or STF): Prints scaled text horizontally.

VSCALE-TO-FIT (or VSTF): Prints scaled text vertically.

{name}: Font name.

{width}: Unit-width of the window.

{height}: Unit-height of the window.

{x}: Horizontal starting position.

{y}: Vertical starting position.

{data}: Text to be printed.

SCALE-TO-FIT Command Example

Input:

```
! 0 200 200 100 1
IN-MILLIMETERS
CENTER
; Fit a text string into an area 40mm wide by 10mm ; high
SCALE-TO-FIT PLL_LAT.CSF 40 10 0 10 SALE
; Fit a longer text string into the same 40mm wide ; by 10mm high area
SCALE-TO-FIT PLL_LAT.CSF 40 10 0 20 SALE PRICE
; Fit "SALE" text into a 40mm wide by 20mm high ; area
SCALE-TO-FIT PLL_LAT.CSF 40 20 0 30 SALE
FORM
PRINT
```

Output:

```
SALE
SALE PRICE
SALE
```

SCALABLE CONCATENATION Commands

Scalable concatenation allows you to assign different character styles to strings, printing them with uniform spacing on the same text line. Both scalable and bitmap text can be combined between a CONCAT/ENCONCAT command. See also Text Concatenation Commands

Format:

```
{command} {x} {y}
<ST> {name} {width} {height} {offset} {data}
"      "      "      "      "      "
<ST> {name} {width} {height} {offset} {data}
<ENDCONCAT>
```

where:

{command}: Choose from the following:

CONCAT: Horizontal concatenation.

VCONCAT: Vertical concatenation.

{x}: Horizontal starting position.

{y}: Vertical starting position.

{name}: Font name.

{width}: Font width point size.

{height}: Font height point size.

{offset}: Unit-value to offset text from the starting position. Used to align individual text strings or create superscript/subscript characters.

{data}: Text to be printed.

<ENDCONCAT>: Terminates concatenation.

SCALABLE CONCATENATION Command Example

Input:

```
! 0 200 200 210 1  
CENTER  
; Concatenate 3 scalable font strings and 1  
; Resident font string  
CONCAT 0 20  
4 1 0 2/  
ST PLL_LAT.CSF 20 20 15 $  
ST PLL_LAT.CSF 40 40 0 22  
ST PLL_LAT.CSF 20 20 0 99  
ENDCONCAT  
FORM  
PRINT
```

Output:

2/\$22⁹⁹

ROTATE Command

ROTATE commands are used to rotate all subsequent scalable text fields at a specified angle. Rotation direction is counter-clockwise about the center point of the text. This rotation remains in effect until another ROTATE command is issued. Default angle is zero degrees.

Format:

{command} {angle}

where:

{command}: ROTATE (or R): Rotates scalable fonts.

{angle}: Degree of rotation (ccw).

ROTATE Command Example

Input:

```
! 0 200 200 440 1
CENTER
TEXT 4 1 0 50 Rotate Strings
ROTATE 45
CONCAT 50 300
ST PLL_LAT.CSF 20 20 20 $
ST PLL_LAT.CSF 40 40 0 22
ST PLL_LAT.CSF 20 20 0 99
```

ENDCONCAT

FORM

PRINT

Output:

Rotate Strings

\$22⁹⁹

LINEAR BAR CODES

Introduction

Bar codes allow easy implementation of automated identification, cataloging and processing of almost any object. They have been successfully used on items ranging in size from boxcars to bumblebees.

This overview of bar code symbologies will help when programming Zebra mobile printers and/or designing labels with Label Vista software.

If you plan to create software using these bar codes, we recommend ordering the uniform symbology specification from AIM or the UCC to determine the uses and limitations pertaining to that type of bar code. The information in this document is in no way complete.

The following discussions contain basic information and some suggested applications for each type of bar code. The quick reference table in Appendix E lists specific data for each bar code in one location. All the information on ideal widths and ratios comes directly from the uniform symbology specification. Please note that all measurements contained in this document are in printer dots. On 200 dot per inch (d.p.i.) printers, one dot is equal to 0.005" or 0.13 millimeters, on 300 d.p.i. printers one dot is equal to 0.003" or 0.07 millimeters.

Resident Linear Bar Code Samples

UPC-A



01234567890

UPC-E



0123450

EAN-13



0012345678905

EAN-8



40153476

EAN Plus2 Extender



12

Code 39



CODE 39

EAN Plus5 Extender



12345

Code 93



C93/Ext.

Interleaved 2 of 5



123456

Code 128



CODE 128

UCC EAN 128



0123456789

Codabar



a12345a

Plessey



12345678

Postnet



012345678

UPC and EAN/JAN Bar Codes

UPC and EAN/JAN bar codes are typically used for marking products with a unique code used to look up prices and to track inventories of goods sold. They are also used for store coupons, periodicals, and paperback books. UPC and EAN/JAN bar codes are generally rectangular, contain a fixed amount of data, and in most cases are accompanied by human readable text printed below them. For best results, this text should be an OCR-A (resident font 2), a sans serif font (resident font 7) or an OCR-B font.

The first number in the UPC/EAN bar code is the number system character. The specification lists use of characters 0 through 9 as follows.

- 0 Regular UPC codes (UPC-A and UPC-E)
- 1 Reserved
- 2 Random weight items, like store packaged meat. (UPC-A only)
- 3 National Drug Code and National Health Related Items Code in current 10-digit code length (UPC-A only)*
- 4 In-store marking of non food items without code format restriction and with check digit protection (UPC-A only)
- 5 Coupons (UPC-A only)
- 6 Regular UPC codes (UPC-A only)
- 7 Regular UPC codes (UPC-A only)
- 8 Reserved
- 9 Reserved

* Number system 3 has the following note in the specification. "...the symbol is not affected by the various internal structures possible with the NDC or HRI codes." The users should determine what effect this statement may have on their program. It will not change how bar codes are printed.

The checksum is the last number in the bar code and can be used to make certain that the bar code is decoded properly. This digit is automatically calculated by the printer. The UPC bar code specification has the full instructions for calculating this checksum. The methodology is as follows:

For this example, the bar code will be 01234567890.

Step 1: Starting at the left, including the number system character, add up all the numbers in the ODD positions. ($0 + 2 + 4 + 6 + 8 + 0 = 20$)

Step 2: Multiply this sum by 3. ($20 \times 3 = 60$)

Step 3: Starting at the left again, add up all the numbers in the EVEN positions. ($1 + 3 + 5 + 7 + 9 = 25$).

Step 4: Add the results from step 2 and step 3. ($60 + 25 = 85$)

Step 5: The checksum is the smallest number when added to step 4 will equal a multiple of ten. In our example: $85 + 5 = 90$, which is a multiple of 10. Therefore, the check digit should be 5. It is called a modulo checksum because you take the modulo, or remainder, of the sum. For the programmers, it is:

$$10 - (85 \bmod 10) = \text{the checksum.}$$

UPC-A and EAN13 bar codes can be created with and without a checksum supplied. If the programmer supplies a checksum digit, the printer will create the bar code with that check digit, even if it is incorrect. Most laser scanning devices will not be able to decode the bar code if the check digit is incorrect,

UPC-E bar codes, useful for small items like candy and gum, are created through the method of "zero suppression." For example, if you were to encode 01000000567, the resulting bar code would be a compressed bar code that only contains the data, the compression scheme, and the checksum without all the extra zeros. For our example, the bar code would decode to 1056707. Please refer to the UPC Symbol Specification Manual from the Uniform Code Council for more information on zero suppression.

UPC-E and EAN8 bar codes have a few restrictions. First, the number system character must be set to 0. Number systems 1 through 9 do not support UPC-E and EAN8 bar codes and may not be decoded by a laser scanning device. In case your application requires it, the number system may be set to something other than 0. Second, if the programmer supplies a checksum digit, the printer will create the bar code with that check digit, even if it is incorrect. If the check digit is incorrect, most laser scanning devices will not be able to decode the bar code. Therefore, the programmer may send six digits (no number system, no checksum), seven digits (number system, no checksum), or eight digits (number system and checksum) and create a bar code.

Plus 2 and plus 5 bar code extensions are only used for periodicals and paperback books. Specifically, the bar code specification states that the plus 2 extension should only be used for a periodical issue number. The plus 2 and plus 5 extensions do not contain any checksum according to the bar code

continued

specification.

To create an extended bar code, place a space between the data that should go into the UPC/EAN bar code and the data that should go into the extension. You can also use the PLUS2 and PLUS5 bar code types to create the extension separately. Remember to leave ample space (about 9 times the ratio) between the UPC/EAN bar code and the extension.

UPC/EAN Specifications

Bar Code Symbology	Bar CodeType	Input Length	Characters	Ideal Wide/ NarrowRatio	Ideal Narrow Dot Width	Checksum Calculation
UPC-A	UPCA	11 or 12 digits	0-9 only	2:1	2	mod 10
UPC-A plus 2	UPCA2	13 digits	0-9 only	2:1	2	mod 10
UPC-A plus 5	UPCA5	16 digits	0-9 only	2:1	2	mod 10
UPC-E	UPCE	6, 7 or 11 digits	0-9 only	2:1	2	mod 10
UPC-E plus 2	UPCE2	8 or 13 digits	0-9 only	2:1	2	mod 10
UPC-E plus 5	UPCE5	11 or 16 digits	0-9 only	2:1	2	mod 10
EAN/JAN-13	EAN13	12 or 13 digits	0-9 only	2:1	2	mod 10
EAN/JAN-13 plus 2	EAN132	14 digits	0-9 only	2:1	2	(EAN13)
EAN/JAN-13 plus 5	EAN135	17 digits	0-9 only	2:1	2	(EAN13)
EAN/JAN-8	EAN8	6, 7 or 8 digits	0-9 only	2:1	2	mod 10
EAN/JAN-8 plus 2	EAN82	9 digits	0-9 only	2:1	2	mod 10 (EAN8)
EAN/JAN-8 plus 5	EAN85	12 digits	0-9 only	2:1	2	mod 10 (EAN8)

Code 39 or Code 3 of 9 Bar Codes

The Code 39 bar code is used for many applications including inventories, hospital applications, or any other place where the code length may change between items being scanned (e.g. a bar code stating there were 420 pieces in one box and 20004 pieces in another box would have a different physical length). This bar code can use the characters 0 through 9, A through Z, '-' (dash), "." (period), space, "\$" (dollar sign), "/"(forward slash), "+" (plus) and "%" (percent). There is also a special character called "S/S" used as a start/ stop character. The F39 and F39C types allow the use of carriage return, line feed, and null characters.

The checksum for this bar code is located as the last (or least significant) digit of the decoded bar code. To **assure** data integrity in your application, use a bar code with a checksum. The printer will automatically supply this digit if the user selects a 39C or a F39C bar code.

Check Character Numerical Value Table							
Char	Value	Char	Value	Char	Value	Char	Value
0	0	C	12	O	24	-	36
1	1	D	13	P	25	.	37
2	2	E	14	Q	26	SPACE	38
3	3	F	15	R	27	\$	39
4	4	G	16	S	28	/	40
5	5	H	17	T	29	+	41
6	6	I	18	U	30	%	42
7	7	J	19	V	31	\$(full)	43*
8	8	K	20	W	32	% (full)	44*
9	9	L	21	X	33	/(full)	45*
A	10	M	22	Y	34	+(full)	46*
B	11	N	23	Z	35		

* Full represents F39 or F39C for Full ASCII

Refer to the full bar code symbology specification for complete information on checksum calculation. For a short example, take an example bar code with the data "CODE 39" .

Step 1: Assign a value to each character per the Character Numerical Value Table above . C=12, O=24, D=13, E=14, space = 38, 3=3, 9=9.

Step 2: Add the values 12+24+13+14+38+3+9=113.

Step 3: Divide this number by 43. The remainder or modulo, 27, is the checksum.

Step 4: Referring to the table, 27 is the character R. Therefore, the checksum in the bar code should be R. The final code reads "CODE 39R" when it is decoded.

Code 39 (3 of 9) Specifications

Bar Code Symbology	Bar Code Type	Input Length	Characters	Ideal Wide/ Narrow Ratio	Ideal Narrow Dot Width	Checksum Calculation
Code 39	39	Variable	Refer text	2.5:1	2	none
	39C	Variable	Refer text	2.5:1	2	mod 43
	F39	Variable	Refer text	2.5:1	2	none
	F39C	Variable	Refer text	2.5:1	2	mod 43

Code 93 or Code 9 of 3 Bar Codes

The Code 93 bar code is used for applications that require heavy error checking capabilities. To accomplish this, the Code 93 bar code contains two separate error checking checksums that are automatically calculated and placed into the bar code. This bar code is used for inventories, hospital applications, or any other place where the length may change between items being scanned. (See Code 39 above.) This bar code type can use the entire ASCII 128 character set. It is useful for encoding data and phrases like "Code 93".

The two checksums in this bar code are located as the last and second to last characters in the decoded bar code. Code 93 has a complex checksum calculation. Please see the bar code symbology specification for information on how to create and decode this checksum. Please also note that the bar code symbology specification does not state any ideal values for the ratio and the width of the narrow bar.

Code 93 Specifications

Bar Code Symbology	Bar Code Type	Input Length	Characters	Ideal Wide/ Narrow Ratio	Ideal Narrow Dot Width	Checksum Calculation
Code 93	93	Variable	128 ASCII	1.5:1	1	two mod 47

Interleaved 2 of 5 Bar Codes

The Interleaved 2 of 5 (or ITF) bar code is used for applications that have a fixed data length for all items scanned. A date, telephone number, or a SKU of fixed length would be a good application for this bar code. The symbology specification states that a ITF bar code may be partially decoded without any recognizable difference. Therefore, to prevent this problem, you must keep the length of data to a constant and perform an error checking routine on the decoding program to determine if the data is correct.

Only the digits 0-9 can be encoded, and there should be an even number of digits in the data. If there is an odd number of digits, the printer will automatically insert a zero (0) at the beginning of the bar code.

There are two bar code varieties with a checksum: Interleaved 2 of 5 “with checksum” and German Post Code. German Post Code has fixed length – either 12 or 14 characters (including checksum).

Here is an example how to calculate modulo 10 checksum:

Step 1: To calculate the checksum, first ensure that you are starting with an odd number of digits in the data. If not, add a zero (0) to the beginning of the data.

Step 2: Multiply every other digit by 3, and add up the numbers. So, if your data was “43827” your calculation should be $(4 \times 3) + 3 + (8 \times 3) + 2 + (7 \times 3) = 62$.

Step 3: Divide this number by 10, resulting in 6 with a remainder of 2. Subtract the remainder from 10.

In our example, $10 - 2 = 8$. The checksum is this final number, 8. Append this to the end of your data.

Note that if the remainder was a zero, your checksum should be zero.

Interleaved 2 of 5 Specifications

Bar Code Symbology	Bar Code Type	Input Length	Characters	Ideal Wide/ Narrow Ratio	Ideal Narrow Dot Width	Checksum Calculation
Interleaved 2 of 5	I2OF5	Varies	0-9 only	2.5:1	2	See text
Interleaved 2 of 5 with checksum	I2OF5C	Varies	0-9 only	2.5:1	2	See text
German Post Code	I2OF5G	11, 12,13 or 14	0-9 only	2.5:1	2	mod 10, weights 4,9

Code 128 and the UCC-128 Shipping Standard

Code 128 is used for applications that need to contain a large amount of data such as shipping applications, marking blood donations, and any other application that can vary in length between bar codes being scanned. The bar code also contains a checksum as the last character in the code which ensures that data remains intact.

Code 128 can use the entire ASCII 128 character set as well as other subsets available in the universal symbology specification. The three start and stop characters determine which character set to use. The checksum for this bar code is located immediately before the stop character. The bar code symbology specification contains all the information on calculating this checksum. For a short example, we desire to encode "BAR128" in a bar code. We will use "A" as our start and stop character in this example.

Step 1: The symbology specification assigns a numerical value for each character. Find the values of all the characters in the data.

Step 2: Add the value of the start character and all the data characters multiplied by its position in the bar code. For our example, the calculation would be $103 + (34 \times 1) + (32 \times 2) + (50 \times 3) + (17 \times 4) + (18 \times 5) + (24 \times 6) = 672$.

Step 3: Divide this number by 103. The remainder or modulo, 54, is the checksum. The character that assigned to 54 in the specification is "V". Our final code will look like "ABAR128V" where "A" is the start character, "BAR128" is the data, and "V" is the checksum.

The UCC-128 Shipping Standard is part of a document called Application Standard for Shipping Container Codes available from the Uniform Code Council. This 90-page guide contains the entire specification on marking any shipment sent anywhere in the United States. Seventeen pages are dedicated to the technical considerations of using, placing, and printing these bar codes. We highly recommend getting this information if your application involves shipping.

Code 128/ UCC-128 Specifications

Bar Code Symbology	Bar Code Type	Input Length	Characters	Ideal Wide/ Narrow Ratio	Ideal Narrow Dot Width	Checksum Calculation
Code 128 /A/B/C/ Auto	128	Variable	Refer text	N/A	2	mod 103
UCC-128Std.	UCCEAN 16	Refer text	Refer text	N/A	2	mod 103

continued

Codabar

Codabar is ideal for applications that contain mostly numeric symbols that may vary in length from bar code to bar code. It can encode the digits from 0 to 9, the characters “-”(dash), “\$”(dollar sign), “:” (colon), “/” (forward slash), “.” (period), and “+” (plus) as well as start/stop characters A through D.

One optional checksum is automatically appended as the least significant digit in the bar code data directly before the stop character. The bar code symbology specification contains all the information on calculating the checksum. As a short example, our data will be “A37859B” where A and B are start/stop characters. The characters 0 through 9 are assigned the numerical values 0 through 9 respectively. “-” is 10, “\$” is 11, “:” is 12, “/” is 13, “.” is 14, “+” is 15, and start/stop characters A B C and D are 16, 17, 18, and 19 respectively.

Step 1: Add the numerical value of all the characters. $16 + 3 + 7 + 8 + 5 + 9 + 17 = 65$.

Step 2: Divide this number by 16 and use the remainder, or modulo. In our example, this is 1

Step 3: Subtract the modulo from 16. This is the smallest number that can be added to the sum in step 1 to make a multiple of 16. ($65 + 15 = 80$. $80 / 16 = 5$) Therefore, the check sum for our example is 15.

Step 4: The character that corresponds to 15 is “+” and is added in before the stop character. Our final bar code looks like “A37859+B”.

The bar code type NW7 is for reverse compatibility only. We do not recommend using this command for new systems. There is no difference between CODABAR and NW7.

Codabar Specifications

Bar Code Symbology	Bar CodeType	Input Length	Characters	Ideal Wide/ Narrow Ratio	Ideal Narrow Dot Width	Checksum Calculation
Codabar	CODABAR	Variable	0-9,A-D, symbol	2.5:1	2	none
	CODABAR 16	Variable	0-9,A-D, symbol	2.5:1	2	mod 16

continued

MSI Plessey Bar Codes

The MSI Plessey bar code is a fixed length code that uses only numerical characters. It is primarily used for grocery applications. Three different types of encoding exist with different levels of data protection. Please see the bar code symbology specification for more information on how to calculate these checksums.

The bar code type "PLESSEY" is used for reverse compatibility only. We do not recommend using this command for new systems. The PLESSEY type will force a 2:1 ratio of the wide to narrow bar width.

MSI Plessey Specifications

Bar Code Symbology	Bar Code Type	Input Length	Characters	Ideal Wide/ Narrow Ratio	Ideal Narrow Dot Width	Checksum Calculation
MSI Plessey	MSI	13 digits max	0-9 only	2:1	2	none
	MSI10	13 digits max	0-9 only	2:1	2	mod 10
	MSI1010	13 digits max	0-9 only	2:1	2	two mod 10
	MSI1110	13 digits max	0-9 only	2:1	2	mod 11 mod 10

continued

Postnet and Facing Identification Marks

The US Postnet bar code is used only to help automate mail delivery. To comply with postal regulations, set the height of the bar code to 30 dots, the wide/narrow bar ratio at 3.5:1, and the width of the narrow bar to 3 dots on a 200 d.p.i. printer. The data sent to the bar code can be 5, 9, or 11 digits long. For example, to send mail to 30 Plan Way, Warwick, RI 02886-1234, the data would be

5 digits- ZIP Code only: 02886

9 digits - ZIP + 4 Code: 028861234

11 digits - ZIP + 4 Code and last two digits in address: 02886123430

The Postnet bar code also contains an automatically calculated checksum as the last character in the decoded bar code. As a short example, our data will be "02881123430"

Step 1: Add the numerical value of all the characters. $0+2+8+8+1+1+2+3+4+3+0 = 32$.

Step 2: Divide this number by 10 and use the remainder, or modulo. In our example, this is 2

Step 3: Subtract the remainder (or modulo) from 10 to get the check sum. The check sum for our example would be 8 ($10 - 32 \text{ mod } 10$ for programmers).

A Facing Identification Mark (FIM) is the bar in the upper right corner of an envelope near the stamp. To comply with postal regulations, set the height of the bar code to 125 dots, the ratio to 1.5:1 dots, and the width of the narrow bar to 6 dots. There are three different characters you can send as data: A, B, and C.

FIM A: Courtesy Reply Mail with Postnet Bar code

FIM B: Business Reply Mail, Penalty Mail, or Franked Mail without Postnet Bar code

FIM C: Business Reply Mail, Penalty Mail, or Franked Mail with Postnet Bar code.

For more information, please see Publication 25 from the USPS Postal Business Center. If you are making a label with an address, try using resident font 7 or font 4 for best results with the optical character recognition software used by the post office.

Postnet and FIM Specifications

Bar Code Symbology	Bar Code Type	Input Length	Characters	Ideal Wide/Narrow Ratio	Ideal Narrow Dot Width	Checksum Calculation
Postnet	POSTNET	5, 9, 11 digits	0-9 only	3.5:1	3	mod 10
Facing Ident Mark	FIM	A, B, or C only	A, B, or C	1.5:1	6	N/A

Bar Code Commands

The following commands are used for the creation and formatting of bar codes on labels. Insure that the bar code symbology chosen agrees with its intended use, and that it conforms to the guidelines in the previous section.

A Quick Reference Guide for the linear bar code symbologies discussed in this manual can be found in Appendix "E".

Note that the "COUNT" command is also discussed in Section 3 of this manual.

continued

BARCODE Command

The BARCODE command prints bar codes in both vertical and horizontal orientations at specified widths and heights.

Standard Bar Codes

Format:

{command} {type} {width} {ratio} {height} {x} {y} {data}

where:

{command}: Choose from the following:

BARCODE(or B): Prints bar code horizontally.

VBARCODE (or VB) Prints bar code vertically.

{type}: Choose from the following table:

Symbology:	Use:
UPC-A	UPCA, UPCA2, UPCA5
UPC-E	UPCE, UPCE2, UPCE5
EAN/JAN-13	EAN13, EAN132, EAN135
EAN/JAN-8	EAN8, EAN82, EAN 85
Code 39	39, 39C, F39, F39C
Code 93/Ext. 93	93
Interleaved 2 of 5	I2OF5
Interleaved 2 of 5 with checksum	I2OF5C
German Post Code	I2OF5G
Code 128 (Auto)	128
UCC EAN 128	UCCEAN128
Codabar	CODABAR, CODABAR16
MSI/Plessey	MSI, MSI10, MSI1010, MSI1110
Postnet	POSTNET
FIM	FIM



Note: Barcode data must be supplied in the {data} section and before the new line character sequence. Otherwise, printer may consume the next command as barcode data thereby producing erroneous barcode and not properly executing the next command.

{width}: Unit-width of the narrow bar.

{ratio}: Ratio of the wide bar to the narrow bar. Refer to the table in Appendix “E” for appropriate settings.

0 = 1.5 : 1	20 = 2.0:1	26 = 2.6:1
1 = 2.0 : 1	21 = 2.1:1	27 = 2.7:1
2 = 2.5 : 1	22 = 2.2:1	28 = 2.8:1
3 = 3.0 : 1	23 = 2.3:1	29 = 2.9:1
4 = 3.5 : 1	24 = 2.4:1	30 = 3.0:1
	25 = 2.5:1	



Note: The ratios in the Appendix are suggested for best results; however, any ratio can be assigned.

{height}: Unit-height of the bar code.

{x}: Horizontal starting position.

{y}: Vertical starting position.

{data}: Bar code data.

BAR CODE Example

Input:

```
! 0 200 200 210 1
BARCODE 128 1 1 50 150 10 HORIZ.
TEXT 7 0 210 60 HORIZ.
VBARCODE 128 1 1 50 10 200 VERT.
VTEXT 7 0 60 140 VERT.
FORM
PRINT
```

Output:



BARCODE-TEXT Command

The BARCODE-TEXT command is used to label bar codes with the same data used to create the bar code. The command eliminates the need to annotate the bar code using separate text commands. The text will be centered below the bar code.

Use BARCODE-TEXT OFF (or BT OFF) to disable.

Format:

{command} {font number} {font size} {offset}

where:

{command}: BARCODE-TEXT (or BT)

{font number}: The font number to use when annotating the bar code.

{font size}: The font size to use when annotating the bar code.

{offset}: Unit distance to offset text away from the bar code.

BARCODE-TEXT Example

Input:

```
! 0 200 200 400 1
JOURNAL
CENTER
; Annotate bar codes using font 7 size 0
; and offset 5 dots from the bar code.
BARCODE-TEXT 7 0 5
BARCODE 128 1 1 50 0 20 123456789
VBARCODE 128 1 1 50 40 400 112233445
BARCODE-TEXT OFF
FORM
PRINT
```

Output:



COUNT Command

The COUNT command is used for printing multiple labels where a numeric text field or numeric data encoded in a bar code is to be incremented or decremented for each label. The TEXT/BARCODE command string must contain this numeric data as the last characters of the string. The numeric data portion can be up to 20 characters, and can be preceded by the '-' sign. Counts of 9 - 0 will wrap to 9. Counts of 00 - 99 will wrap to 00. Leading zeros will be retained. Up to 3 COUNT commands can be used in a label file.

The numeric data incremented/decremented is contained in the TEXT or BARCODE command that immediately preceded the COUNT command.

Format:

{command} {numeric value}

where:

{command}: COUNT

{numeric value}: Any integer value up to 20 characters. The value can be preceded by a '-' sign if decrementing of the TEXT/BARCODE value is desired. Leading zeros will be retained in the output.

COUNT Example

Input:

```
! 0 200 200 210 3
; Print 3 labels
CENTER
TEXT 4 0 0 50 TESTING 001
COUNT 1
TEXT 7 0 0 100 Barcode Value is 123456789
COUNT -10
BARCODE 128 1 1 50 0 130 123456789
COUNT -10
FORM
PRINT
```

Output:

TESTING 001

Barcode Value is 123456789



TESTING 002

Barcode Value is 123456779



TESTING 003

Barcode Value is 123456769



REDUCED SPACE SYMBOLOGY AND COMPOSITE SYMBOLS



NOTE: GS1 recently renamed the RSS Symbology to GS1 DataBar to avoid confusion with the popular RSS XML Feed technology. The name change does not change the barcode standards, therefore documentation referring to the “RSS Symbology” is the same as GS1 DataBar. GS1 also recently renamed several barcode standards built on Code 128 such as EAN-128 and UCC-128 to GS1-128.

RSS SYMBOLOGY

Reduced Space Symbology (RSS) was developed as a family of several linear symbologies to provide users with features that address specific space limitation and application needs. RSS is designed to allow encoding of up to 74 characters of data.

EAN.UCC RSS bar code symbols are intended for encoding identification numbers and data supplementary to the identification. The administration of the numbering system by EAN and UCC ensures that identification codes assigned to particular items are unique worldwide and that they and the associated supplementary data are defined in a consistent way. The major benefit for the users of RSS symbology is the availability of uniquely defined identification codes and supplementary data formats for use in their trading transactions.

RSS Limited

Encodes the full 14-digit Global Trade Item Number (GTIN). It is the smallest RSS symbol format. Its indicator digit must be a ‘0’ or ‘1’. It is not designed to be read omnidirectionally or intended for use at point-of-sale.



More informaton about the Global Trade Identificaton Number system may be found at:
<http://www.gtin.info/> or http://www.uc-council.org/ean_ucc_system/pdf/GTIN.pdf

RSS-14

RSS-14 encodes the full 14 digit EAN. UCC item identification in a linear symbol that can be scanned ominidirectionally by suitably programmed point-of-sale barcode scanners. For use at point-of-sale and for standard EAN.UCC item identification.

continued

RSS Expanded

RSS Expanded encodes EAN.UCC item identification plus supplementary information such as weight and “best before” dates in a linear symbol that can be scanned omnidirectionally by suitably programmed point-of-sale bar code reader.

RSS Expanded can encode up to 74 numeric or 41 non-numeric characters. For use at point-of-sale for variable measure identification of items such as meat, seafood and deli.

RSS Stacked

RSS-14 Stacked is a variation of the RSS-14 symbology that cuts the RSS-14 code in half and stacks it in two rows. It is used when the normal symbol would be too wide for the application. It comes in two versions, a height truncated version used for small item marking applications and a taller omnidirectional version which is designed to be read by omnidirectional scanners. RSS Expanded can also be printed in multiple rows as a stacked symbol.

For use at point-of-sale for variable measure identification such as meat, deli, and seafood

RSS-Truncated

Encodes the full 14-digit GTIN. It is designed for use on items such as cosmetics and jewelry. Its truncated format is not designed to be read omnidirectionally.

RSS-14 Stacked Omnidirectional

Encodes the full 14-digit GTIN. For use at point-of-sale for items where space limitation require a narrow and tall symbol. E.g., loose produce items such as apples, potatoes or oranges. The symbol format is designed for fixed-position omnidirectional scanners commonly used in supermarkets Encodes the full 14-digit GTIN.

Any member of the RSS family can be printed as a stand-alone linear symbol or as a Composite symbol with an accompanying 2D Composite Component printed directly above the RSS linear component.

RSS/Composite Symbologies

The Composite Symbols family can provide additional supply chain data while allowing for the coexistence of symbologies already being used. A symbol that combines a linear bar code symbol with a

continued

2D symbology is known as a composite symbol. It consists of one of the EAN/UCC linear symbologies and one of the 2D. The 2D component adds a supplementary Application Identifier Element String data to EAN.UCC System linear symbologies. It provides the following benefits:

- The composite symbol is the only one with an easily scannable item identification.
- The composite symbols are comparable in size to the matrix symbols but can be scanned with a wider range of scanner technologies. The composite symbols are smaller than other laser scannable 2D symbols.

Composite Code A atop RSS Limited:

Based on a derivative of micro-PDF. Composite Code A is designed for efficient encoding of supplemental data. The composite symbols will not be read by an omnidirectional scanner, but the linear symbols may be read individually.

Composite Code B atop Code 128

Composite is based on Micro-PDF with a codeword of 920 in the first data codeword position as a linkage flag, and denoting EAN.UCC data compaction. CC-B could fit atop many symbologies but cannot stand-alone. The composite symbols will not be read at POS, yet the linear symbol may if it is possible. It is designed to carry up to 338 characters of supplemental data delimited by application identifiers.

Composite Code-C atop Code 128

Composite based on PDF-417 with a codeword of 920 in the first data codeword position as a linkage flag, and denoting EAN.UCC data compaction. CC-C could fit atop many symbologies but cannot stand-alone. The composite symbols will not be read at POS, yet the linear symbol may if it is possible. It is designed to carry up to 338 characters of supplemental data delimited by application identifiers.

RSS/Composite COMMAND

Format:

```
{command} {type} {x} {y} {width} {lin_height} {sep_height} {segments} {subtype} {linear_data|2D_data}
```

where: {command}: Choose from the following:

 BARCODE (or B): Prints bar code horizontally

VBARCODE (or VB): Prints bar code vertically

{type}: RSS

{x}: Horizontal starting position.

{y}: Vertical starting position.

{width}: Unit-width of the narrowest element.

{lin_height}: Height of the linear part of barcode.

{sep_height}: Height of the separator.

{segments}: Number of segments per row.

{subtype}: RSS/Composite subtype. Choose from the following table:

Subtype	Symbology
1	RSS-14
2	RSS-14 Truncated
3	RSS-14 Stacked
4	RSS-14 Stacked Omnidirectional
5	RSS Limited
6	RSS Expanded
7	UPCA Composite
8	UPCE Composite
9	EAN-13 Composite
10	EAN-8 Composite
11	UCC-128 Composite A/B
12	UCC-128 Composite C

{linear_data|2D_data}: Bar code data (Note that the vertical bar character is used as a separator between linear and 2D data)

Bar Code Examples

Example 1: RSS14 Composite

Input:

```
! 0 200 200 300 1
```

```
T 5 0 10 40 RSS14 Composite
```

```
T 5 0 10 70 1234567890123|1234567890
```

```
BARCODE RSS 10 110 2 25 3 22 1 1234567890123|1234567890
```

```
PRINT
```

Output:

RSS14 Composite

1234567890123|1234567890



Example 2: RSS14 Stacked

Input:

```
! 0 200 200 300 1  
T 5 0 10 40 RSS14S (type=3)  
T 5 0 10 70 1234567890123  
BARCODE RSS 10 100 3 25 3 22 3 1234567890123  
PRINT
```

Output:



Example 3: RSS Expanded

Input:

```
! 0 200 200 300 1  
T 5 0 10 40 RSSExp (type=6)  
T 5 0 10 70 1234567890123  
BARCODE RSS 10 100 3 25 3 22 6 1234567890123  
PRINT
```

Output:



Example 4: EAN Composite

Input:

! 0 200 200 400 1

T 5 0 10 40 UCC128A (type=11)

T 5 0 10 70 12345678901234567890|1234567890

BARCODE RSS 10 140 3 25 3 22 11 12345678901234567890|1234567890

PRINT

Output:

UCC128A (type=11)

12345678901234567890|1234567890



Example 5: RSS 14

Input:

```
! 0 200 200 300 1  
T 5 0 10 40 RSS14 (type=1)  
T 5 0 10 70 1011234567890  
BARCODE RSS 10 100 1 25 3 22 1 1011234567890  
PRINT
```

Output:

RSS14 (type=1)

1011234567890



TWO DIMENSIONAL BARCODES

Introduction

A two dimensional bar code can be regarded as a “portable database.” For example, if a package has a serial number encoded with a linear bar code, you could scan the serial number, look up the number in a computer system, and gather the information about that package. If the computer system was unavailable for any reason the information you were looking for would also be unavailable. A 2-D bar code, however, can contain several different fields of information in them, essentially a database attached to a package.

The first 2-D bar code was just an extension of a one-dimensional bar code. The user could stack several Code 39 bar codes on top of another. These types of codes are called “stacked symbology” or “multi-row codes”. Development of scanners capable of 2-D scanning allowed use of more compact and useful symbologies like PDF417 from Symbol and MaxiCode from the United Parcel Service.

Zebra mobile printers have capabilities to print PDF417, MaxiCode and QR symbologies. If your application requires the use of 2-D barcodes, we highly recommend acquiring the universal symbol specification to assist your programming. The specifications include suggestions on how to structure your data in the code to make it easier to use.

Older QL series printers need a special application loaded in order to print 2-D barcodes. Consult your re-seller or Zebra Technical Support for more information.

PDF417

The PDF417 bar code is a 2-D bar code that can contain a very large amount of data in a small space. If you look at a PDF417 bar code carefully, it is actually a stack of smaller bar codes. The number and height of the stacks are controllable by the user. The bar code can contain the entire ASCII 255 set of characters, and has the capability to use different encoding schemes and different levels of security to correct errors. The largest amount of data that can be encoded is 2725 characters

MaxiCode

MaxiCode was originally designed by the United Parcel Service to help them automate package delivery and sort packages coming down a quick conveyor belt. It consists of a bulls eye to help the imaging system “target” the bar code and an array of hexagons to represent the data stored in the bar code. It can contain a maximum of 93 alphanumeric characters or 138 numeric characters, has two different error

continued

correction modes, seven different storage modes, the capability to use character sets other than ASCII, and the capability to “link” several MaxiCodes together. Since there are so many different modes, it is suggested that you contact AIM for the symbol specification. If you are developing software to be used with the UPS MaxiCode shipping system, contact UPS for information on how to order the information on the Maxicode shipping system.

QR Code

QR Code is a 2-D symbology developed in 1994 by Denso Wave, a Japanese company (a division of Denso Corporation at the time), with the primary intent of creating a symbology that is easily interpreted by inexpensive scanner equipment. It has since become the most popular 2-D barcode used in Japan.

QR Code is capable of handling several dozen to several hundred times more information than conventional bar codes. The QR Code specification is “open” in that the QR Code specification is disclosed and the patent right owned by Denso Wave is not exercised. QR Code is established as an ISO (ISO/IEC18004) standard.

QR Code is capable of handling a variety of data, such as numeric and alphabetic characters, Kanji, Kana, Hiragana, symbols, binary, and control codes. Up to 7,089 characters can be encoded in one symbol.

Since QR Code carries information both horizontally and vertically, it is capable of encoding the same amount of data in approximately one-tenth the space of a traditional bar code. Its error correction capability allows restoration of data even if the symbol is partially damaged or dirty.

QR Code utilizes position detection patterns located at three corners of the symbol to accomplish omni-directional (360°) reading. These position detection patterns guarantee stable high-speed reading, circumventing the negative effects of background interference.

Two Dimensional Barcode Commands

The following commands are used for the creation and formatting of two-dimensional bar codes. Insure that the bar code symbology chosen agrees with its intended use. We recommend acquiring the specification for the desired code to supplement the discussions in this manual.



Note that Codablock “A” and “F” are not fully supported in this release of the manual.

PDF417 (PORTABLE DATA FILE)

Format:

```
{command} {type} {x} {y} [XD n] [YD n] [C n] [S n]
{data}
<ENDPDF>
```

where:

{command}: Choose from the following:

 BARCODE (or B): Prints bar code horizontally.

 VBARCODE (or VB): Prints bar code vertically.

{type}: PDF-417

{x}: Horizontal starting position.

{y}: Vertical starting position.

[XD n]: Unit-width of the narrowest element. Range is 1 to 32, default is 2.

[YD n]: Unit-height of the narrowest element. Range is 1 to 32, default is 6.

[C n]: Number of columns to use. Data columns do not include start/stop characters and left/right indicators. Range is 1 to 30; default is 3.

[S n]: Security level indicates maximum amount of errors to be detected and/or corrected. Range is 0 to 8; default is 1.

{data} Bar code data.

<ENDPDF>: Terminates PDF-417.



Note: The BARCODE-TEXT command does not work with the PDF-417 bar code type. Any desired human readable text must be entered separately with the TEXT command as in the following example.

PDF417 Example

Input:

! 0 200 200 210 1
B PDF-417 10 20 XD 3 YD 12 C 3 S 2
PDF Data
ABCDE12345
ENDPDF
T 4 0 10 120 PDF Data
T 4 0 10 170 ABCDE12345
FORM
PRINT

Output:



PDF Data
ABCDE12345

MAXICODE

Revised: Application Version 25 or higher

The Maxicode bar code now handles all the symbols defined by the United Parcel Service as well as the basic fields supported in the standard bar code. Maxicode supports all standard printable characters with automatic conversion of all lowercase letters in the secondary message to uppercase. This revision supports only Mode 2 bar codes.

Format:

```
{command} {type} {x} {y}
{tag} {options}
```

...

```
{tag} {options}
<ENDMAXICODE>
```

where:

{command}: BARCODE or B- Prints bar code.

{type}: MAXICODE

{x}: Horizontal starting position

{y}: Vertical starting position

{tag}: Tags not supplied will be filled with default values. Use only the tags that you require. Tags can be in any order.

<ENDMAXICODE> Final tag in Maxicode bar code.

Tags encoded in the high priority message of all Maxicodes:

Tag	Definition	Default Value
POST	Postal or ZIP Code	empty-
CC	Country Code (from ISO 3166)	840 (USA)
SC	Service Class	1

Tags to control the type of bar code created:

Tag	Definition	Default Value
UPS5	Use UPS5 tags to create the low priority message. (On: 1, Off: 0)	0
ZIPPER	Turn the zipper and contrast patterns on or off. (On: 1, Off: 0)	0
FILLC	Low priority message fill character (Messages shorter than 84 characters will be padded with this character.)	!

Tags used when UPS5 is turned off:

Tag	Definition	Default Value
MSG	Low priority message field (maximum of 84 characters, overwritten by UPS5 tags)	-empty-

Tags used when UPS5 is turned on:

Tag	Definition	Default Value
LPMS	Low priority message header	[>][RS]
HEAD	Transportation data format header	01[GS]98
TN	Tracking Number	[GS]
SCAC	Standard Carrier Alpha Code	UPSN
SHIPPER	UPS Shipper Number	[GS]
PICKDAY	Julian day of pickup	[GS]
SHIPID	Shipment ID Number	[GS]
NX	Package N of X (n/x)	[GS]
WEIGH	Package weight	[GS]
VAL	Address validation (Y or N)	[GS]
STADDR	Ship to street address	[GS]
CITY	Ship to city	[GS]
ST	Ship to state	[GS]
EXTRA	Extra user defined fields	- empty -
EOT	End of transmission character	0x004h
GS	Field separator character [GS]	0x01Dh
RS	Format type separator [RS]	0x01Eh

Please see the document "Guide to Bar Coding with UPS OnLine: for Customers Generating Bar Code Labels, Version 5" available from the United Parcel Service for more information on creating labels for the UPS shipping system.

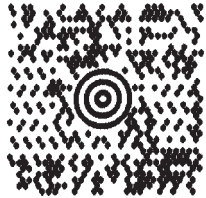
MAXICODE Examples

Basic example with minimal required fields to print a bar code:

Input, Example 1:

```
! 0 200 200 600 1  
JOURNAL  
B MAXICODE 20 20  
CC 12345  
MSG This is a MAXICODE low priority message.  
SC 12345  
POST 02886  
ENDMAXICODE  
PRINT
```

Output, Example 1:



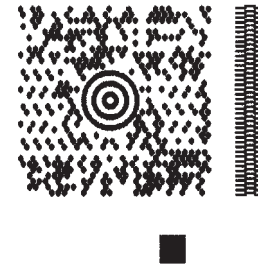
Decodes to: 028860000[GS]057[GS]057[GS]This is a MAXICODE low priority message.

Example with zipper and contrast patterns:

Input, Example 2:

```
! 0 200 200 600 1  
JOURNAL  
B MAXICODE 20 20  
CC 12345  
MSG This is a MAXICODE low priority message.  
SC 12345  
POST 02886  
ZIPPER 1  
ENDMAXICODE  
PRINT
```

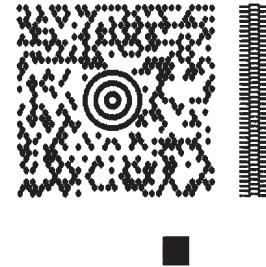
Output, Example 2:



Example using tags for UPS
 Input, Example 3:

! 0 200 200 600 1
 JOURNAL
 B MAXICODE 20 20
 VAL Y
 STADDR 30 PLAN WAY
 WEIGH 210
 SHIPID 42
 PICKDAY 193
 SHIPPER 12345
 TN 1Z12345675
 CC 860
 SC 1
 POST 02886
 ZIPPER 1
 SHIPPER 12345E
 NX 1/2
 UPS5 1
 CITY WARWICK
 ST RI
 ENDMAXICODE
 PRINT

Output, Example 3:



Decodes to:

**[>[RS]01[GS]0002000000[GS]000[GS]001[GS]1Z12
 345675[GS]USPN[GS]12345E[GS]193[GS]42[GS]1/2[
 GS]210[GS]Y[GS]30 PLAN WAY[GS]WARWICK[GS]
 RI[RS]][EOT]**

QR Code

Format:

```
{command} {type} {x} {y} [M n] [U n]
{data}
<ENDQR>
```

where:

{command}: Choose from the following:

BARCODE (or B): Prints bar code horizontally.

VBARCODE (or VB): Prints bar code vertically.

{type}:QR

{x}: Horizontal starting position.

{y}: Vertical starting position.

[M n]: QR code model number. Range is 1 or 2. QR Code Model 1 is the original specification, while QR Code Model 2 is an enhanced form of the symbology. Model 2 provides additional features and can be automatically differentiated from Model 1. Model 2 is the recommended model and is the default value.

[U n]: Unit-width/Unit-height of the module.

Range is 1 to 32. Default is 6.

{data}: Describes information required for generating a QR code. See the following examples.

{data} includes some mode selection symbols in addition to actual input data character string. The type of the input data could be recognized automatically by printer software or set "manually". There is a separator (comma) between mode selection symbols and the actual data.

Data field format for Automatic data type selection:

```
<Error Correction Level><Mask No.><Data Input Mode (should be "A")>,<Data Character String>
```

Error Correction Level should be one of the following symbols:

H - Ultra high reliability level (Level H);

continued

Q - High reliability level (Level Q);

M - Standard level (Level M);

L - High density level (Level L).

Mask Number may be omitted or have a value from 0 to 8:

None - Automatic selection of the mask by software;

From 0 to 7 – use mask with corresponding number (0 to 7);

8 - No mask.

Data field format for manual data type selection includes additional character mode symbols and has the following format:

<Error Correction Level><Mask No.><Data Input Mode (should be "M")>,
 <Character Mode 1><Data Character String 1>, <Character Mode 2><Data Character String
 2>,< : >< : >,<Character Mode n><Data Character String n>

Character mode symbols:

N – Numeric;

A - Alphanumeric;

Bxxxx – Binary Binary mode includes number of data characters (xxxx) represented by 2 bytes of BCD code.

K – Kanji

Different data fields (with their corresponding character mode symbols) are separated by commas.

When the input mode is set to Automatic the binary codes of 0x80 to 0x9F and 0xe0 to 0xFF cannot be set.

<ENDQR>: Terminates QR code.

Data Field Formatting Examples

Example 1

Error Correction Level: Standard level <M>

Mask No.: <None>

Input mode: Automatic setting <A>

Data: QR Code

The {data} field presentation for generating a QR code under the conditions above:

MA,QR Code

Example 2

Error Correction Level: Ultra high reliability level <H>

Mask No.: <0>

Input mode: Manual setting <M>

Character Mode: Numeric mode <N>

Data: 0123456789012345

The {data} field presentation:

H0M,N0123456789012345

Example 3

Error Correction Level: Standard level <M>

Mask: <None> (Automatic selection)

Input mode: Manual setting <M>

Character Mode: Alphanumeric mode <A>

Data: AC-42

The {data} field presentation:

MM,AAC-42

Example 4

Error Correction Level: High density level <L>
 Mask No.: Automatic setting <None>
 Input mode: Manual setting <M>
 Character Mode: Alphanumeric <A>
 Data: QR code
 Character Mode: Numeric <N>
 Data: 0123456789012345
 Character Mode: Alphanumeric <A>
 Data: QRCODE
 Character Mode: Binary
 Data: qrcode
 The {data} field presentation:
 LM,AQRcode,N0123456789012345,AQRCODE,B0006qrcode



Note: The BARCODE-TEXT command does not work with QR code. Any desired human readable text must be entered separately with the TEXT command as shown in the following example.

QR Code Example

Input:

```
! 0 200 200 500 1
B QR 10 100 M 2 U 10
MA,QR code ABC123
ENDQR
T 4 0 10 400 QR code ABC123
FORM
PRINT
```

Output:



QR code ABC123



NOTE: Human readable text is not part of the QR code output.

continued

Aztec Barcode Command

Format:

```
{command} {type} {x} {y} [XD n] [EC n]
{data}
<ENDAZTEC>
```

where:

{command}: Choose from the following:

BARCODE Prints barcode horizontally.

(or B)

VBARCODE Prints barcode vertically.

(or VB)

{type}: AZTEC

{x}: Horizontal starting position.

{y}: Vertical starting position.

[XD n]: Unit-width of the narrowest element (in dots).
Default is 6.

[EC n]: Error correction parameter (0-99).
Default is 0 (default error correction percentage).

{data}: Barcode data.

<ENDAZTEC>: Terminates AZTEC barcode.

Aztec Barcode Example

Input:

! 0 200 200 600 1

T 7 0 50 0 Aztec Code - Label Spec 5-1 EC=47

B AZTEC 50 100 XD 7 EC 47

123456789012

ENDAZTEC

PRINT

GRAPHICS

BOX Command

The BOX command provides the user with the ability to produce rectangular shapes of specified line thickness.

Format:

{command} {x₀} {y₀} {x₁} {y₁} {width}

where:

{command}: BOX

{x₀}: X-coordinate of the top left corner.

{y₀}: Y-coordinate of the top left corner.

{x₁}: X-coordinate of the bottom right corner.

{y₁}: Y-coordinate of the bottom right corner.

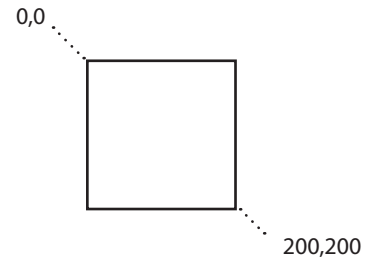
{width}: Unit-width (or thickness) of the lines forming the box.

BOX Command example

Input:

```
! 0 200 200 210 1
BOX 0 0 200 200 1
FORM
PRINT
```

Output:



Note: Text coordinates (in output) are shown for illustration purposes only.

LINE Commands

Lines of any length, thickness, and angular orientation can be drawn using the LINE command.

Format:

{command} {x₀} {y₀} {x₁} {y₁} {width}

where:

{command}: Choose from the following:

LINE (or L): Prints a line.

{x₀}: X-coordinate of the top-left corner.

{y₀}: Y-coordinate of the top-left corner.

{x₁}: X-coordinate of:

- top right corner for horizontal.
- bottom left corner for vertical.

{y₁}: Y-coordinate of:

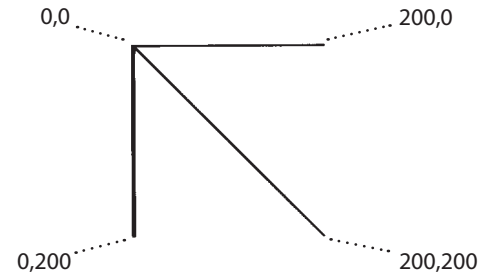
- top right corner for horizontal.
- bottom left corner for vertical.

{width}: Unit-width (or thickness) of the line

Input:

```
! 0 200 200 210 1
LINE 0 0 200 0 1
LINE 0 0 200 200 2
LINE 0 0 0 200 3
FORM
PRINT
```

Output:



Note: Text coordinates (in output) are shown for illustration purposes only.

INVERSE-LINE Commands

The INVERSE-LINE command has the same syntax as the LINE command. Previously created objects that lie within the area defined by the INVERSE-LINE command will have their black areas re-drawn white, and white areas re-drawn black. These objects can include text, bar codes and/or graphics, including downloaded .pcx files. INVERSE-LINE has no effect on objects created after its location, even if they fall within its covered area. In example INVERSE2.LBL, portions of the text field created after the INVERSE-LINE command remain black, hence invisible, even though placed within the INVERSE-LINE area.

Format:

{command} {x₀} {y₀} {x₁} {y₁} {width}

where:

{command}: Choose from the following:

INVERSE-LINE (or IL): Prints a line over an existing field to invert the image.

{x₀}: X-coordinate of the top-left corner.

{y₀}: Y-coordinate of the top-left corner.

{x₁}: X-coordinate of:

- top right corner for horizontal.
- bottom left corner for vertical.

{y₁}: Y-coordinate of:

- top right corner for horizontal.
- bottom left corner for vertical.

{width}: Unit-width (or thickness) of the inverse-line.

Inverse Line command examples

Input 1:

```
! 0 200 200 210 1  
CENTER  
TEXT 4 0 0 45 SAVE  
TEXT 4 0 0 95 MORE  
INVERSE-LINE 0 45 145 45 45  
INVERSE-LINE 0 95 145 95 45  
FORM  
PRINT
```

Output 1:



SAVE
MORE

Input 2:

```
! 0 200 200 210 1  
T 4 2 30 20 $123.45  
T 4 2 30 70 $678.90  
IL 25 40 350 40 90  
T 4 2 30 120 $432.10  
FORM  
PRINT
```

Output 2:



\$123.45
\$678.90
\$432.10

PATTERN Command

The PATTERN command is used with the LINE and SCALE-TEXT commands to change the patterns used to fill these shapes. Valid pattern values are listed below.

Format:

{command} {pattern number}

where:

{command}: PATTERN

{pattern number}: Choose from the following:

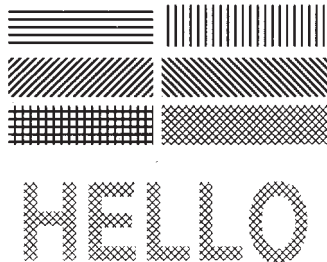
- 100 Filled (solid black/default pattern).
- 101 Horizontal lines.
- 102 Vertical lines.
- 103 Right rising diagonal lines.
- 104 Left rising diagonal lines.
- 105 Square pattern.
- 106 Cross hatch pattern.

Pattern command example

Input:

```
! 0 200 200 700 1
; Draw horizontal and vertical patterns
PATTERN 101
LINE 10 10 160 10 42
PATTERN 102
LINE 170 10 350 10 42
; Draw left and right diagonal patterns
PATTERN 103
LINE 10 65 160 65 40
PATTERN 104
LINE 170 65 350 65 40
; Draw square and cross hatch patterns
PATTERN 105
LINE 10 115 160 115 40
PATTERN 106
LINE 170 115 350 115 40
; Draw a scalable text character with cross hatch pattern
PATTERN 106
ST PLB_LAT.CSF 40 40 20 180 HELLO
FORM
PRINT
```

Output:



GRAPHICS Commands

Bit-mapped graphics can be printed by using graphics commands. ASCII hex (hexadecimal) is used for expanded graphics data (see example). Data size can be reduced to one-half by utilizing the COMPRESSED-GRAPHICS commands with the equivalent binary character(s) of the hex data. When using CG, a single 8 bit character is sent for every 8 bits of graphics data. When using EG two characters (16 bits) are used to transmit 8 bits of graphics data, making EG only half as efficient. Since this data is character data, however, it can be easier to handle and transmit than binary data.

Format:

```
{command} {width} {height} {x} {y} {data}
```

where:

{command}: Choose from the following:

EXPANDED-GRAPHICS (or EG): Prints expanded graphics horizontally.

VEXPANDED-GRAPHICS (or VEG): Prints expanded graphics vertically.

COMPRESSED-GRAPHICS (or CG): Prints compressed graphics horizontally.

VCOMPRESSED-GRAPHICS (or VCG): Prints compressed graphics vertically.

{width}: Byte-width of image.

{height} Dot-height of image.

{x}: Horizontal starting position.

{y}: Vertical starting position.

{data}: Graphics data.

Graphics command example

Input:

```
! 0 200 200 210 1
EG 2 16 90 45 F0F0F0F0F0F0F0F0F0F0F0F0F0F0
F0F0F0F0F0F0F0F0F0F0F0F0F0F0
FORM
PRINT
```

Output:



Note: Graphic output has been magnified. Actual size is 1/4 of output shown.

PCX Commands

The PCX command gives a user the ability to send “.PCX” graphics formatted images to the printer. The .PCX image MUST be encoded as a black and white image.

Format:

{command} {x} {y}

{data}

where:

{command}: PCX

{x}: X-coordinate of the top-left corner.

{y}: Y-coordinate of the top-left corner.

{data}: PCX image data.

PCX Command example1

Input1:

In the example below, the image is sent in three steps. First, the printer is sent commands to expect a .PCX formatted file. The second input to the printer is the .PCX image. This image must be a 2 color (black and white) image. The last step is to tell the printer to print the label.

```
! 0 200 200 500 1  
PCX 0 30
```

Output 1:

Input 2 (IMAGE.PCX)

Input 3 (ENDPCX.LBL)

```
FORM  
PRINT
```



PCX Command Example 2

In this example , the PCX image has been loaded into the printer's flash file system and given the name "IMAGE.PCX". The "!<" operator can now be used to instruct the printer to get the data stored in the file "Image.PCX" and use it for building the image.

Input 2:

```
! 0 200 200 500 1  
PCX 0 30 !<IMAGE.PCX  
FORM  
PRINT
```

Output 2:



ADVANCED COMMANDS

CONTRAST Command

The CONTRAST command is used to specify the print darkness for the entire label. The lightest printout is at contrast level 0. The darkest contrast level is 3. The printer defaults to contrast level 0 on power up. Contrast level must be specified for each label file.



NOTE: In order to maximize printing efficiency, always use the lowest contrast level possible.

Format:

{command} {level}

where:

{command}: CONTRAST

{level}: Contrast level.

0 = Default

1 = Medium

2 = Dark

3 = Very Dark

TONE Command

The TONE Command can be used instead of the CONTRAST command to specify the print darkness for all labels. The lightest printout is at tone level -99. The darkest tone level is 200. The printer defaults to tone level 0 on power up. Tone level settings remain in effect for all printing tasks until changed. The TONE and CONTRAST commands cannot be used in combination with one another.

Format:

{command} {level}

where:

{command}: TONE

{level}: select a value from -99 to 200.

Contrast to Tone level equivalents:

Contrast 0 = Tone 0

Contrast 1 = Tone 100

Contrast 2 = Tone 200

Contrast 3 = No equivalent



NOTE: When using linerless media manufactured by Zebra Technologies, it is recommended that the TONE value be set to 25 for best printing results.

JUSTIFICATION Commands

Alignment of fields can be controlled by using the justification commands. By default, the printer will left justify all fields. A justification command remains in effect for all subsequent fields until another justification command is specified.

Format:

{command} [end]

where:

{command}: Choose from the following:

CENTER: Center justifies all subsequent fields.

LEFT: Left justifies all subsequent fields.

RIGHT: Right justifies all subsequent fields.

[end]: End point of justification. If no parameter is entered, justification commands use the printhead's width for horizontal printing or zero (top of form) for vertical printing.

JUSTIFICATION Example

Input:

```
! 0 200 200 210 1
CENTER 383
TEXT 4 0 0 75 C
LEFT
TEXT 4 0 0 75 L
RIGHT 383
TEXT 4 0 0 75 R
FORM
PRINT
```

Output:

```
L      C      R
```

PAGE-WIDTH Command

The printer assumes that the page width is the full width of the printer. The maximum height of a print session is determined by the page width and the available print memory. If the page width is less than the full width of the printer, the user can increase the maximum page height by specifying the page width.

Note: This command should be issued at the beginning of a print session.

Format:

{command} {width}

where:

{command}:N Choose from the following:

PAGE-WIDTH (or PW): Specifies page width.

{width}: Unit-width of the page.

PAGE-WIDTH Examples

Input 1:

```
! UTILITIES
SETLP 7 0 15
PW 300
PRINT
```

This text is printed with label memory width set to 300 dots.

Output 1:

```
This text is printed with
label memory width set t
o 300 dots.
```

PAGE-WIDTH Examples continued

Input 2:

```
! UTILITIES  
SETLP 7 0 15  
PW 200  
PRINT
```

This text is printed with label memory width set to 200 dots.

Output 2:

```
This text is prin  
ted with label me  
mory width set to  
200 dots.
```

PACE Command

This command can be used with batch printing. When PACE is activated, the user must depress the printer's "FEED" key to print additional labels until the batch quantity is exhausted. By default, pacing is disabled on power up.

Format:

{command}

where:

{command}: PACE

PACE Command Example

In the following example, the command file shown was sent to the printer once. The two additional printouts were produced by pressing the 'FEED' key once for each additional printout.

Input:

```
! 0 200 200 210 3
; Tell printer to print a label
; after each 'FEED' key press
; until all 3 labels are printed
PACE
; Printer holds journal stock
JOURNAL
; Center the text
CENTER
TEXT 4 1 0 10 Print 3 labels
TEXT 4 1 0 90 Using PACE
PRINT
```

Output:



Print 3 labels
Using PACE



Print 3 labels
Using PACE



Print 3 labels
Using PACE

AUTO-PACE Command

This command can be used to instruct a printer equipped with a label presentation sensor to delay printing until the previously printed label is removed.

Format

{command}

Where:

{command}: AUTO-PACE

AUTO-PACE Command Example

This example instructs the printer to print 10 labels. The printer prints a label, and waits for that label to be removed before printing the next label.

Input:

```
! 0 200 200 250 10
CENTER
TEXT 7 0 0 10 AUTO-PACE EXAMPLE
AUTO-PACE
FORM
PRINT
```

NO-PACE Command

This command cancels the PACE and AUTO-PACE mode, if the printer is already in PACE or AUTO-PACE. The printer defaults to NO-PACE on power up.

Format

{command}

where: {command}: NO-PACE

NO-PACE Command Example

This example instructs the printer to print 10 labels. The printer prints a label, waits for the label to be removed before printing the next label. The second set of 10 labels will be printed in batch mode and the printer will not wait for the operator to remove the labels.

Input:

```
! 0 200 200 250 10
TEXT 7 0 0 10 AUTO-PACE EXAMPLE
AUTO-PACE
FORM
PRINT
! 0 200 200 250 10
TEXT 7 0 0 10 NO-PACE EXAMPLE
NO-PACE
FORM
PRINT
```


WAIT Command

This command is used to introduce a delay after a label is printed.

Format:

{command} {delay-time}

where:

{command}: WAIT

{delay-time}: Delay time in 1/8 seconds.

WAIT Command Example

In the example below, the printer will pause 10 seconds ($10 * 8 = 80$) after printing each label.

Input:

```
! 0 200 200 150 5
```

```
WAIT 80
```

```
TEXT 5 0 0 20 DELAY 10 SECONDS
```

```
FORM
```

```
PRINT
```

REWIND Command

This command is used to turn the rewind (or take-up) motor on or off. The printer defaults to REWIND-ON on power up. The REWIND command is ignored by printers that are not equipped with a motorized rewind.

Format:

{command}

where: {command}: Choose one of the following:

REWIND-OFF

REWIND-ON

REWIND Command Example

Input:

```
! 0 200 200 150 1
```

```
REWIND-OFF
```

```
TEXT 5 0 0 20 TURNS REWIND OFF
```

```
PRINT
```

TENSION Commands

The tension commands are used to adjust the liner tension before and/or after printing a label by running the rewind motor for a pre-specified length. This adjustment improves peeler performance of printers equipped with a motorized rewind mechanism. The TENSION commands are ignored by printers not equipped with a motorized rewind.

Format:

{command} {length}

where:

{command}: Choose one of the following:

PRE-TENSION: Perform tension adjustment prior to printing the label.

POST-TENSION: Perform tension adjustment after printing the label.

{length}: The unit length the rewind motor should to tighten the liner tension. The re-wind motor will slip once tension is adjusted (it will not pull the stock out of adjustment for the next print cycle).

TENSION Command Example

In this example, the printer is instructed to run the rewind motor for 30 dot-lines, removing any slack in the liner to adjust the liner tension prior to printing the label.

Input:

```
! 0 200 200 150 1
PRE-TENSION 30
TEXT 5 0 0 20 ADJUSTS TENSION
```

SPEED Command

This command is used to set the highest motor speed level. Each printer model is programmed with a minimum and maximum attainable speed. The SPEED command selects a speed level within a range of 0 to 5, with 0 the slowest speed. The maximum speed programmed into each printer model is attainable only under ideal conditions. The battery or power-supply voltage, stock thickness, print darkness, applicator usage, peeler usage, and label length are among the factors that could limit the maximum attainable print speed.



WARNING: By exercising this command the user overrides the factory programmed speed for the label being printed, which may adversely affect print quality. If print quality suffers using the current SPEED setting, the printer speed should be reduced.

Format:

{command} {speed level}

where:

{command}: SPEED

{speed level}: A number between 0 and 5, 0 being the slowest speed.

SPEED Command Example

Input:

```

! 0 200 200 150 1
SPEED 4
TEXT 5 0 0 20 PRINTS AT SPEED 4
FORM
PRINT
    
```

SETSP Command

The SETSP command is used to change spacing between text characters.

Format:

{command} {spacing}

where:

{command}: SETSP

{spacing}: Unit measurement between characters. The default for spacing is zero. Note that this command is affected by the UNITS command setting.

SETSP CommandExample

Input:

```
! 0 200 200 210 1
T 4 0 0 10 Normal Spacing
SETSP 5
T 4 0 0 50 Spread Spacing
SETSP 0
T 4 0 0 90 Normal Spacing
FORM
```

Output:

```
Normal Spacing
Spread Spacing
Normal Spacing
```

UNDERLINE Command

The UNDERLINE command is used to underline text. This command works only if the font being used supports underline. This command is ignored if the font being used does not support UNDERLINE.

The following fonts support UNDERLINE:

GBUNSN24.CPF
GBUNSN24.CPF

Format:

```
{command} {mode}
{command}: UNDERLINE
{mode}:          Choose from the following
```

"ON"

"OFF"

UNDERLINE Example

Input (UNDERLINE.LBL):

```
! 0 200 200 200 1
ENCODING GB18030
UNDERLINE ON
TEXT GBUNSG24.CPF 0 20 30 Underlined ,t,u
UNDERLINE OFF
TEXT GBUNSG24.CPF 0 20 80 Normal ,t,u
ENCODING ASCII
UNDERLINE OFF
PRINT
```

Output

Underlined 俵俵

Normal 俵俵

ON-OUT-OF-PAPER Command

This command can be issued to instruct the printer as to the course of action to take when it encounters an error while printing the label (such as running out of stock)

Format:

{command} {action} {number of retries}

where:{ command}: ON-OUT-OF-PAPER

{action}: Choose one of the following:

PURGE: Discard the label if print error is encountered after the specified number of attempts.

WAIT: Do not discard the label if print error is encountered. In this mode the printer will wait for the error to be corrected before making the next print attempt.

{number of retries}: n: Specify how many times the printer should attempt to print the label.

The default printer configuration is: ON-OUT-OF-PAPER PURGE 2

ON-OUT-OF-PAPER Command Example

This example instructs the printer to attempt to print the label twice.

Input:

```
! 0 200 200 150 1
ON-OUT-OF-PAPER WAIT 2
TEXT 5 0 0 20 MAKE TWO ATTEMPT
FORM
PRINT
```

ON-FEED Command

Your printer can be configured to ignore, form-feed, or reprint the last label when the feed key is pressed or when it receives a form-feed character (0x0c).

Format:

{command} {action}

where:

{command}: ON-FEED

{action}: Choose from the following:

IGNORE: Don't take any action when the feed key is pressed or when the form-feed character is received.

FEED: Feed to top-of-form when the feed key is pressed or when the form-feed character is received.

REPRINT: Reprint the last label when the feed key is pressed or when the form-feed character is received.

In the following example, the command file shown was sent to the printer only once. The two additional labels were produced by pressing the printer 'FEED' key once for each additional label.

ON_FEED Command Example

Input:

```
! 0 200 200 300 1  
ON-FEED REPRINT  
CENTER  
JOURNAL  
TEXT 4 1 0 20 PRESS FEED KEY  
TEXT 4 1 0 100 TO REPRINT  
TEXT 4 1 0 180 THIS TEXT  
PRINT
```

Output:

PRESS FEED KEY
TO REPRINT
THIS TEXT

PRESS FEED KEY
TO REPRINT
THIS TEXT

PRESS FEED KEY
TO REPRINT
THIS TEXT

PREFEED Command

The PREFEED command instructs the printer to advance the media a specified amount prior to printing.



NOTE: When prefeeding using negative values do not exceed the label height. Doing so risks sending the printer into a continuous loop and prohibits further interaction with the printer until power is cycled.

Format:

{command} {length}

where:

{command}: PREFEED

{length}: Unit length the printer advances media prior to printing.

PREFEED Command Example

The following example sets up the printer for pre-feeding 40 dot-lines prior to printing.

Input:

```
! 0 200 200 210 1
PREFEED 40
TEXT 7 0 0 20 PREFEED EXAMPLE
FORM
PRINT
```

POSTFEED Command

The POSTFEED command instructs the printer to advance the media a specified amount after printing.

Format:

{command} {length}

where:

{command}: POSTFEED

{length}: Unit length the printer advances media after printing.

POSTFEED Command Example

The following example sets up the printer for post-feeding 40 dot-lines after printing.

Input:

```
! 0 200 200 210 1
TEXT 7 0 0 20 POSTFEED EXAMPLE
FORM
POSTFEED 40
PRINT
```

PRESENT-AT Command

The PRESENT-AT command can be used to position the media at the tear bar of the printer or at a location where the printed label can be easily removed by the operator. When a PRESENT-AT command is issued, the printer will print a label and then, after a delay period, advance the media a specified distance. It will then retract the media the same distance before starting a new print job.

The “delay” parameter is used to avoid unnecessary advance/retract operations when printing a batch of print jobs. The PRESENT-AT command can be issued in a label file or in a utilities command session (!UTILITIES...PRINT)



Caution: When using this command an added buffer area of 18 dots should be applied to the leading and trailing edges of the label. Registration between any preprinting graphics on the media and the file being printed may vary from label to label.

Format:

{command} {length} {delay}

where:

{command}: PRESENT-AT

{length}: Unit length in dot-lines the media is advanced after printing and retracted before printing the next label.

{delay}: The interval after printing the label the printer waits prior to advancing the media. Increments are in 1/8 of a second. A delay of “1” is equivalent to 1/8th of a second. A delay of “4” is equivalent to 1/2 second, etc.

PRESENT-AT Command Example

The following example instructs the printer to wait 1/4 second and if there is no printer activity within this interval to then advance the media 80 dot-lines. The printer will retract the media by the same amount before printing the next label.

Input:

```
! 0 200 200 250 1  
TEXT 7 0 0 10 PRESENT-AT EXAMPLE  
PRESENT-AT 80 2  
FORM  
PRIN
```

COUNTRY / CODE PAGE Command

The COUNTRY control command substitutes the appropriate character set for the specified country.

Format:

{command} {name}

where:

{command}: COUNTRY

{name}: Choose from the following table:

USA	GERMANY	FRANCE
SWEDEN	SPAIN	NORWAY
ITALY	CP850	UK
LATIN9	CP874 (Thai)	CHINA (Simplified Chinese, Double Byte Character Set- see Asian Fonts topic on Pg. 8-23)
KOREA (Korean, Double Byte Character Set- see Asian Fonts topic on Pg. 8-23)	BIG5 (Traditional Chinese, Double Byte Character Set- see Asian Fonts topic on Pg. 8-23)	JAPAN-S (S-JIS, Double Byte Character Set- see Asian Fonts topic on Pg. 8-23)

COUNTRY Command Example

Input:

```
! 0 200 200 80 1
IN-MILLIMETERS
JOURNAL
CENTER
; Set the country as USA
COUNTRY USA
; Now Print Text From ISO substitution Table
TEXT 4 0 0 8 COUNTRY IS USA
TEXT 4 0 0 15 #${N}^{}~
; Set country for France and print the same text
COUNTRY FRANCE
TEXT 4 0 0 28 COUNTRY IS FRANCE
TEXT 4 0 0 35 #${N}^{}~
PRINT
```

Output:

```
COUNTRY IS USA
#${N}^{}~
```

```
COUNTRY IS FRANCE
£$à°ç$^µéùè"
```

Asian Fonts

Supported Combinations of Asian Fonts



Some mobile printer models do not offer complete support of Asian fonts in every printer configuration. The table below applies to printers limited to 1M/1M of memory.

Character Set	Size (h x w)	Country Code	Connection Type		
			Cable	IrDA	Bluetooth
Japanese	16 x 16	JAPAN-S	•	•	•
Japanese	24 x 24	JAPAN-S	•	•	
Chinese Simplified	16 x 16	CHINA	•	•	•
Chinese Simplified	24 x 24	CHINA	•	•	
Chinese Traditional	16 x 16	BIG5	•	•	
Korean Myeong	16 x 16	KOREA	•	•	•



Note: If you are unsure of your printer's memory configuration or which fonts are loaded in your printer, perform a two-key reset as detailed in "Getting Printer Information" in Section 1.

Input:

```
! 0 200 200 250 1
COUNTRY BIG5
SETSP 10
T 5 0 10 10 Chinese Traditional Sample
SETMAG 2 2
T 55 0 10 50 ÄØ
T 55 0 10 100 Ä±
SETMAG 1 1
PRINT
```

Output:

C h i n e s e T r a d i t i o n a l S a m p l e
 僣
 覺

Using Format Files

The DEFINE-FORMAT and USE-FORMAT commands are used to identify format and data respectively.

Format files eliminate having to re-send the same format information for every label printed. By using a pre-loaded format, only variable data (such as descriptions, price, etc.) is sent to the printer.

Label File Example Not Using FORMAT Commands

Input:

```
! 0 200 200 210 1
CENTER
TEXT 4 3 0 15 $22.99
TEXT 4 0 0 95 SWEATSHIRT
BARCODE UPCA 1 1 40 0 145 40123456784
TEXT 7 0 0 185 40123456784
FORM
PRINT
```

Output:

\$22.99
SWEATSHIRT

 40123456784

The following pages illustrate separating the above example into a format file and data.

DEFINE FORMAT

Defining a label format file is accomplished using the DEFINE-FORMAT (or DF) command to mark the beginning of the format, and PRINT to mark the end. A '\\' (double-backslash) acts as a place holder for data.

DEFINE FORMAT Command Example

Input:

```
! DF SHELF.FMT
! 0 200 200 210 1
CENTER
TEXT 4 3 0 15 \\
TEXT 4 0 0 95 \\
BARCODE UPCA 1 1 40 0 145 \\
TEXT 7 0 0 185 \\
FORM
PRINT
```

USE-FORMAT

The USE-FORMAT (or UF) command instructs the printer to use a specified format file. The label will be created using that format file with data supplied following the USE-FORMAT command. After accessing the specified format file, the printer substitutes the '\ ' delimiters with the data supplied, producing the desired label.

USE FORMAT Command Example

Input:

```
! UF SHELF.FMT
$22.99
SWEATSHIRT
40123456784
40123456784
```

As with all print commands, each line in a format file and its accompanying variables must be terminated with the carriage-return and line-feed character sequence.

Once defined, a format will remain in the printer's nonvolatile memory for future reference. An existing format can be changed by over writing the file. By using the DEL command, the format file can be deleted.

Format file names can consist of no more than 8 letters or digits, and format file extensions can be no more than 3 letters or digits. Any lowercase letter in the format file name or extension will be converted to upper case.



Note: Every time a file is created on the printer using, for example, the "! DEFINE-FORMAT...", "! DF..." or the Label Vista application the file information is written to flash memory. Unlike RAM, flash memory does not require battery for retaining data, and is immune to data corruption due to static discharge. Although flash memory is superior to RAM for safe-guarding file contents, it is limited to an average of 10,000 write cycles (i.e. file creations). For this reason, the user should exercise the file creation commands such that the stated limit is not exceeded.

BEEP Command

This command instructs the printer to sound the beeper for a given time length. Printers not equipped with a beeper will ignore this command.

Format:

{command} {beep_length}

Where:

{command}: BEEP

{beep_length}: Duration of beep, specified in (1/8th) second increments.

BEEP Command Example

This example instructs the printer to beep for two seconds (16 x .125 seconds = 2 seconds)

Input:

```
! 0 200 200 210 1
```

```
CENTER
```

```
TEXT 5 0 0 10 beeps for two seconds
```

```
BEEP 16
```

```
FORM
```

```
PRINT
```

CUT Command

On printers equipped with cutters, this command will cut the label after it is printed.

Format:

{command}

where:

{command}: CUT

CUT Command Example

Input:

```
! 0 200 200 1.5 1
```

```
IN-INCHES
```

```
; Journal label 300 dots long
```

```
CENTER
```

```
; Print some text
```

```
TEXT 4 0 0 .15 CUT COMMAND
```

```
TEXT 4 0 0 .5 EXAMPLE
```

```
; After we print the label, cut it.
```

```
CUT
```

```
PRINT
```

PARTIAL-CUT Command

On printers equipped with cutters, this command will cut the label after it is printed, leaving a portion of the label uncut to facilitate easily tearing the remainder of the label.

Format:

{command}

where:

{command}: PARTIAL-CUT

PARTIAL-CUT Command Example

Input:

```
! 0 200 200 1.5 1
IN-INCHES
; Journal label 300 dots long
JOURNAL
CENTER
; Print some text
TEXT 4 0 0 .15 PARTIAL CUT
TEXT 4 0 0 .5 EXAMPLE
; After we print the label, partially cut the label.
PARTIAL-CUT
PRINT
```

CUT-AT Command

This command is used on printers equipped with a cutter, in conjunction with the CUT or PARTIAL-CUT commands. This command will instruct the printer to retract the stock by a specified length. Printers not equipped with a cutter will ignore this command.



This command should not be used on printers that use a thermal transfer ribbon.

Format:

{command} {length}

Where: {command}: CUT-AT

{length}: The unit length the stock should be retracted after performing a cut or partial cut.

CUT-AT Command Example

This example instructs the printer to print a label, perform a form-feed, cut the label, and retract the stock by 100 dot-lines.

Input:

```
! 0 200 200 250 1
CENTER
TEXT 7 0 0 20 CUT-AT EXAMPLE
CUT
CUT-AT 100
FORM
PRINT
```

MCR Commands

These commands (MCR, MCR-QUERY and MCR-CAN) can be used to configure and activate the optional Magnetic Card Reader (MCR). The MCR commands will be ignored by printers that are not equipped with a Magnetic Card Reader.

The MCR command can be issued in a label file (! 0 200 ... PRINT), or in a utilities command session (! UTILITIES ... PRINT). Refer to the discussion of the MCR commands in Section 10 (Advanced Utilities) of this manual for complete information on using the MCR option.

LINE PRINT MODE

Introduction

Besides printing labels, Zebra mobile printers can make receipts, lists, and other variable length documents in line printer mode. A printer in line print mode receives raw ASCII text, and will print out your document in raw text. In Windows 95, this is called the "Generic/Text Only" printer.

A printer in line print mode can interpret special commands to change the font, the spacing of characters, or even to print out bar codes and graphics. Receipts can be just as ornate and detailed as your most complex label design.

In line print mode, the printer will use the spacing, fonts, and form-feed instructions in a raw text ASCII file. The printer will interpret line feed and carriage returns as well as form feed characters. It will not print tab characters. In label mode, the user must provide a X and Y coordinate for every item on the label. In line print mode, the printer can automatically calculate these coordinates or use the ones the user provides.

This section explains how to use line print mode to its full advantage. It covers the basics of how to use utility commands and the most commonly used commands to create receipts. The end of this section includes sample files and results as well as how to design a unique and professional receipt.

It is assumed that the user knows how to communicate with the printer and how to create a basic ASCII file using a text editor like DOS 'EDIT' or Windows™ Notepad.



Note: Line print mode is not available in devices running EPL (Eltron printer emulation), ZPL (Zebra printer emulation) or PECTAB versions of printer applications.

BEGIN-PAGE Command

The BEGIN-PAGE command clears line print memory and line print information to initialize a line print session.

Format:

```
! U1 BEGIN-PAGE <cr><lf>
```

END-PAGE Command

The END-PAGE command closes a line print session and prints the contents of line print memory.

Format:

```
! U1 END-PAGE <cr><lf>
```

Special Commands Using the Utility Function

The printer can execute several utility commands at once or one at a time.

! U

SETLP 7 0 24

PAGE-WIDTH 720

PRINT

This line is printed as raw text.

These lines are in font 7 size 0

! U1 SETLP 7 0 24

! U1 PAGE-WIDTH 720

This line is printed as raw text.

These lines are in font 7 size 0.

The “! UTILITIES” command, or “! U” for short, must be ended by the terminator “PRINT” followed by a CR/LF (Carriage Return/Line Feed, or “Enter”) to end the utility session. The “! U1” command only executes one utility command and must be followed by a CR/LF. Also, the “! U1” command can be placed ANYWHERE in a text line to execute the command.

Example:

Although this text is all on the same line, ! U1 SETLP 5 0 24 (CR/LF)
 this font is new.

! U1 SETLP 5 0 24 (CR/LF)
 Although this text is all on the same line, this font is new.

To change the default settings for the printer, any of these commands can be placed in an AUTOEXEC. BAT file. Please see the “Batch Files” section in “Printer Configuration and Setup” in [Section 13](#) of this manual.

LP-ORIENT Command

The LP-ORIENT command sets the rotation in which the line print characters will be printed.

Format:

{command} {value}

where:

{command}: LP-ORIENT

{value}: choose rotation

0 (default)

270



NOTE: In both rotations the characters are printed in the order they are sent.

UNITS Commands

The units commands specify a measurement system for all subsequent command fields in a utility session. Coordinates, widths, and heights for all utility commands can be entered with precision to four decimal places. The printer measurement system will default to dots until a units command is issued.

Format:

<!> <UTILITIES>

{command}

<PRINT>

where:

{command}: Choose from the following:

IN-INCHES: Measurement in inches.

IN-CENTIMETERS: Measurement in centimeters.

IN-MILLIMETERS: Measurement in millimeters.

IN-DOTS: Measurement in dots. The default unit of measurement is in dots.

SETLP Command

Selecting the line printer font (the SETLP command) will change the font the printer uses for line print mode. It also chooses the amount of space the printer will move down when the printer receives a carriage return (hex value 0x0d).

! U1 SETLP {font name or number} {size} {unit height}

The {unit height} value should be set to the actual height of the font being used. Refer to Appendix C of this manual for actual resident font height values.

SETLP allows you to use either the resident fonts or pre-scaled fonts downloaded to the flash memory. The Label Vista design software can create and upload a font for the printer from any available TrueType¹ font. Appendix D contains a table of all resident font heights and their proper unit height.

You can set the printer font multiple times when using the line printer to make a receipt. For example, to put the company name in a larger font at the top of a label, change to font 5 size 2 and then to font 7 size 0.

SETLP Command Example

Input:

```
! U1 SETLP 5 2 46
AURORA'S FABRIC SHOP
! U1 SETLP 7 0 24
123 Castle Drive, Kingston, RI 02881
(401) 555-4CUT
```

Output:

```
AURORA'S FABRIC SHOP
123 Castle Drive, Kingston, RI 02881
(401) 555-4CUT
```

SETLF Command

Use the SETLF command to change the height of each line without changing the font.

Format:

`! U1 SETLF {unit height}`

The command “! U1 SETLF 40” will advance the paper 40 dots for every LF (line feed, hex value 0x0a) character it receives.

SETLF Command Example

Input:

```
! U SETLP 4 0 40
```

```
SETLF 40
```

```
PRINT
```

```
Output 2
```

```
Text line
```

```
Text line
```

```
Text line
```

Output :

Output 2

Text line

Text line

Text line

Moving With X and Y Coordinates

Even though the printer is in a line print mode, it can still move down and across the paper using X and Y values.

Format:

! U1 X {unit value}

! U1 Y {unit value}

! U1 XY {x unit value} {y unit value}

! U1 RX {unit x value to move relative to present position}

! U1 RY {unit y value to move relative to present position}

! U1 RXY{unit x value to move relative to present position} {unit y value to move relative to present position}

This command is useful for moving across the paper without using extra spaces or moving down the paper without needing to set the SETLF command to a specific value.

Negative values cannot be used for "Y" coordinates.

LMARGIN Command

The LMARGIN command sets the left margin in line print mode. Instead of issuing several X commands or inserting spaces, the LMARGIN command moves everything over the number of dots you choose.

Format:

! U1 LMARGIN {dots to offset from left}

This function can be used with the PAGE-WIDTH command. LMARGIN will move the left margin over the set number of dots from the automatically calculated side of the paper.

SETBOLD Command

The SETBOLD command will make text bolder and slightly wider. The SETBOLD command takes one operand to set how black the text should be made.

Format:

! U1 SETBOLD {value}

where {value} is an offset number from 0 to 5.



Notes: {value} will be in the units set by the UNITS command.

The default UNITS setting is in dots. (203 dots= 1")

If UNITS is in inches the offset value range is 0-.0246".

If UNITS is in centimeters the offset value range is 0-.0625 cm.

If UNITS is in millimeters the offset value range is 0-.625 mm.

Be sure to issue a " ! U1 SETBOLD 0" command to turn the bolding off when done.

SET BOLD Command Example

Input:

! U1 SETBOLD 2

This text is in bold ! U1 SETBOLD 0

but this text is normal.

Output:

This text is in bold but this text is normal.

SETSP Command

The SETSP command is used to change spacing between text characters. Spreading out characters on a line makes the font appear wider. The SETSP command can also be used to spread out the text across the line.

Format:

`! U1 SETSP {unit to separate characters}`

For example, “! U1 SETSP 5” will put five dots between each character on the line. Try this command to make fonts look larger for emphasis. Note that this command is affected by the UNITS command setting. (Refer to the SETBOLD command above.)

SET SP Command Example

Input:

```
Normal Text ! U1 SETSP 5  
SPREAD OUT TEXT
```

Output:

```
Normal Text SPREAD OUT TEXT
```

PAGE-WIDTH Command

PAGE-HEIGHT Command

The printer lets you control both the width and height of the page through use of the PAGE-WIDTH and PAGE-HEIGHT commands. The QL 420 or RW 420 four inch printers, for example, will take any size stock up to four inches wide. If the stock is three inches wide, use the PAGE-WIDTH, or PW command.

Format:

! U1 PW {unit width}

If the size of the receipts should remain a constant and the paper stock does not have a black bar to denote the top of form, use the PAGE-HEIGHT, or PH command. The printer will then partition the data you send into fixed page sizes.

PH Command Example

Input:

! U1 PH {unit height}

Special ASCII Characters

Form Feed

ASCII Character (0x0c) will advance the paper to either the next index mark, or the length specified by the PAGE-HEIGHT, SETFF or SET-TOF commands. (The index mark is either a black line on the back of the stock, or the gap between labels. See GAP-SENSE or BAR-SENSE in Section 12 of this manual.)

Backspace

ASCII Character (0x08) acts as a non-destructive backspace. The character after the backspace character will appear on top of the previous character.

SETFF Command

The SETFF command is used to align top of media to printhead. Once this command is executed, the alignment will occur when :

- feed key is pressed.
- form-feed character (0x0c) is issued.
- FORM command is issued.

Format:

```
<!> <UTILITIES>
{command} {max-feed} {skip-length}
<PRINT>
```

where:

{command}: SETFF

{max-feed}: Maximum unit-length the printer advances searching for the next eye-sense mark to align top of form. Valid values are 0-20,000.

{skip-length}: Unit-length printer advances past top of form. Valid values are 5-50.

SETFF Command Example

The following example programs the printer to advance the paper until the eye-sense mark is found, or the paper has been advanced a maximum of 25 millimeters. If an eye-sense mark is found, the paper will be advanced an additional 2.5 millimeters.

Input:

```
! UTILITIES
IN-MILLIMETERS
SETFF 25 2.5
PRINT
```

SET-TOF Command

This command is used to program the distance between the top-of-form and the end of the next (positive value) or previous (negative value) eye-sense mark or gap. The eye-sense-mark or gap that is closer to the top-of-form should be used for top-of-form setting.

Format:

{command} {d}

where:

{command}: SET-TOF

{d}: The distance between the top of form and the end of the next or previous eye-sense mark or gap, whichever is closer. The specified value should be negative if the previous eye-sense mark is used as reference, or positive if the next eye-sense mark is used.

The following are the maximum values (in DOTS) that can be specified for each model in Zebra's Mobile Printer line:

Model	Max. distance "d"
Cameo 2 & 3	79
Encore 2& 3	119
Encore 4	127
MP5022 & MP5033	101
MP5044	133
QL 220	89
QL 320	116
QL 420	106
RP3	142
RW 220	96
RW 420	120
MZ220 & 320	N/A

continued

SET-TOF Command Example 1, label with eye-sense mark

The following example sets the top-of-form to end of next eye-sense mark to 101 dots (measured from the top-of-form to the end of the next (lower) label's eye-sense mark).

Input:

```
! UTILITIES  
SET-TOF 101  
PRINT
```

SET-TOF Command Example 2, label with gaps

The following example sets the top-of-form to end of next eye-sense-mark/gap to 0 dots (measured from the top-of-form to the end of the next (lower) label's gap).

Input:

```
! UTILITIES  
SET-TOF 0  
PRINT
```

Tearing or Cutting the Paper

PRESENT-AT Command

Remember to add a few extra Carriage Return/Line Feeds (CR/LF, or Enter) to the end of your receipt. This will advance the paper enough to allow the receipt to be torn off without ripping through the last line of text. After the printer is done advancing the paper, tear the paper off.

If your printer can move stock bi-directionally, the PRESENT-AT command will advance the paper enough to rip off the receipt and not tear through the last line of text. Then, when the printer starts on the next item, it will automatically retract the paper before printing to save on paper. Using PRESENT-AT without an argument will set the units to advance to the default for that printer.

Use caution when implementing the PRESENT-AT command with preprinted media. The media may not reposition itself exactly when it is retracted prior to resuming printing, and the amount of this error is not repeatable from label to label. A buffer zone of 18 dots is recommended at the beginning and trailing edge of each receipt if PRESENT-AT is used.

Format:

! U1 PRESENT-AT {units to advance after print}

or

! U1 PRESENT-AT

CUT-AT Command

For printers with a cutter, the CUT-AT command will advance the paper, cut, then retract back to not waste paper. Using CUT-AT without any argument will set the units to advance to the default for that printer.

Format:

! U1 CUT-AT {units to advance after print}

or

! U1 CUT-AT

CUT and PARTIAL-CUT Command

Alternatively, the printer can simply cut the paper or partially cut the paper. (Partial cut is useful when the receipt may fall to the floor when the user doesn't grab it immediately.) At the end of the receipt, put in a sufficient amount of CR/LF characters, then issue the CUT or PARTIAL-CUT command.

Format:

! U1 CUT

! U1 PARTIAL-CUT



These commands are discussed more fully in Section 8 of this manual)

Bar Codes, Graphics and Lines

Bar Codes:

The printer can create any 1-D bar code in line print mode. The BARCODE command works just like it would in a label file. See Section 5 of this manual on the BARCODE command for more details.

The BARCODE command is affected by justification commands such as "! U1 CENTER". See JUSTIFICATION Commands in section 8 of the manual for more information.

Graphics:

The printer can print PCX formatted graphics files in line print mode. This is not recommended, however, in order to keep print times to a minimum. The graphic should be loaded into the flash file system on the printer to achieve maximum printing speed. Please see Section 7 of this manual for more information on graphics, lines, boxes and PCX Commands.

Format:

! U1 PCX {x coordinate} {y coordinate} !< {filename.pcx}

SETLP-TIMEOUT Command

If the printer does not receive any characters after a set time, it will begin to print. This delay can be set with the SETLP-TIMEOUT command.

Format:

`! U1 SETLP-TIMEOUT {time in 1/8 second units}`

Multiply the seconds to wait by 8 to get the correct time for the command. The valid range of values is 0-255.

Designing a Receipt

It is now possible to create a receipt using the commands just described. First, list all the fields that you want on the receipt. Will there be different types of receipts used in the business? Is this a receipt for picking up goods, or is this an itemized list of products ordered and paid for? Will there be a need to differentiate quickly between different types of receipts to prevent errors? In a nutshell, what do you need this thing to look like?

A sales receipt should contain a few basic fields to prevent confusion. First, place the business name on the top of the receipt, preferably in a font to differentiate it from everything else. Choose a large font which is either resident in the printer or custom created with the Label Vista software package. Resident font 4 size 0 or 1 and font 5 size 2 or 3 are perfect for this function. If you desire to keep the receipt size small, font 7 size 1 is tall enough to set the text apart from everything else, yet it conserves space. Set a little space between your business name and the next line.

Next, put the address and telephone number of the business under the name. Customers will appreciate not having to flip through the phone book the next time they want to buy something from you. Also, this helps track which stores sell which items when dealing with returns and special sales promotions. Set at least two lines of space between the header and the rest of the receipt.

Consider other important items on the receipt. Add the date and time of the sale, the ID number of the cashier or salesperson. Is the action a sale, return, price adjustment, or a sales quote?

Next, the itemized bill of sale contains a SKU or UPC code, a product description, and a price. Consider using a fixed width font, or a monospaced font, for this section. A monospaced font keeps the characters an even width for every character. (e.g. an 'l' is the same width as an 'M' character.) The resident fonts 0 and 7 are monospaced as well as other monospaced fonts available with the Label Vista software package.

Many companies like to put a slogan or advertisement of coming events at the end of a receipt. Be certain to put a few CR/LF characters at the end after your final line to ensure that the bottom of the receipt does not get torn off through a printed part of the receipt.

Receipt Examples

The program must set up the file with all the spacing already inserted. Use only spaces, not tab characters, to make things line up correctly. Note that when you issue a command like `"! U1 SETSP 0,"` it must be followed by a CR/LF, or "enter". This will not advance the printer to the next line; it will only execute the utility command.

continued

Printing a Receipt, Example 1

Input:

! U1 JOURNAL
 ! U1 SETLP 4 0 47
 YOURCO RETAIL STORES

 ! U1 SETLP 7 0 24
 14:40 PM Thursday, 06/04/20

Quantity	Item	Unit	Total
1	Babelfish	\$4.20	\$4.20
	Tax:	5%	\$0.21

! U1 SETSP 5
 Total:! U1 SETSP 0
 \$4.41

Thank you for shopping at YOURCO

Output:

YOURCO RETAIL STORES

14:40 PM Thursday, 06/04/20

Quantity	Item	Unit	Total
1	Babelfish	\$4.20	\$4.20
	Tax:	5%	\$0.21
Total:			\$4.41

Thank you for shopping at YOURCO

Receipt Example 2



The following example is a more complex design for a fabric shop. This receipt would print at the cutting table where a salesperson measures out the fabric. The cashier then scans the bar code at the bottom of the receipt to complete the sale.

Except for the utility commands, this receipt will print out much as it looks. Your program must provide all the correct number of spaces and text alignment.

Input:

! U1 JOURNAL
! U1 SETLP 5 2 46
 AURORA'S FABRIC SHOP
! U1 SETLP 5 0 24
 123 Castle Drive, Kingston, RI 02881
 (401) 555-4CUT
! U1 SETLP 7 0 24

4:20 PM Thursday, June 04, 2020 Store: 142
Order Number: #59285691
Status: ! U1 SETSP 10
INCOMPLETE ! U1 SETSP 0

Item	Description	Quant.	Price	Subtotal	Tax
1211	45" Buckram	5 yds @	\$3.42/yd	\$17.10	Y
Z121	60" Blue Silk	10 yds@	\$15.00/yd	\$150.00	N
Z829	60" Muslin	20 yds@	\$1.00/yd	\$20.00	Y

 SUBTOTAL: \$187.10
 RHODE ISLAND SALES TAX 7.00%: \$2.60
TOTAL: \$189.70

! U1 SETLP 7 1 48
 PLEASE BRING THIS RECEIPT TO THE CASHIER
 WITH THE REST OF YOUR PURCHASES.

! U1 CENTER
! U1 B 128 1 2 100 0 0 59285691 ST 187.10 T 2.60

Example 2 Output:

AURORA'S FABRIC SHOP

123 Castle Drive, Kingston, RI 02881
 (401) 555- 4CUT

4:20 PM Thursday, June 04, 2020 Store: 142
 Order Number: #59285691
 Status: I N C O M P L E T E

Item	Description	Quant.	Price	Subtotal	Tax
1211	45" Buckram	5 yds @	\$3.42/yd	\$17.10	Y
Z121	60" Blue Silk	10 yds@	\$15.00/yd	\$150.00	N
Z829	60" Muslin	20 yds@	\$1.00/yd	\$20.00	Y
SUBTOTAL:				\$187.10	
RHODE ISLAND SALES TAX 7.00%:				\$2.60	
TOTAL:				\$189.70	

PLEASE BRING THIS RECEIPT TO THE CASHIER
 WITH THE REST OF YOUR PURCHASES.



ADVANCED UTILITIES

The Advanced Utilities are used to manage the flash file system, obtain information about firmware and printer applications, configure the printer for use in other countries, and to set several operating parameters.

The following example illustrates the use of some of the commands you will find in this section. The example assumes that the printer is connected to a host computer capable of full duplex serial communication. Comments to the right are not part of the session. Comments in UPPERCASE are commands sent from the host to the printer. Comments in lower case are printer responses to the host. These commands are further explained as you read through this section.

Command	Printer response	Description
! UTILITIES		START A UTILITIES SESSION
VERSION		GET THE FIRMWARE VERSION
	6001	firmware version is 60.01
CHECKSUM		GET APPLICATION CHECKSUM
	F723	checksum is F723
DIR		GET DIRECTORY OF THE FLASH FILE SYSTEM
	Directory	directory has the following 3 files
	PLL_LAT.CSF 17306	17306 byte file
	PLL_LAT.CSF 18423	18423 byte file
	AUTOEXEC.BAT 96	96 byte file
TYPE AUTOEXEC.BAT		WHAT'S IN AUTOEXEC.BAT?
	! UTILITIES	autoexec.bat line 1
	SETLP 5 1 40	autoexec.bat line 2
	PRINT	autoexec.bat line 3
DEL AUTOEXEC.BAT		DELETE THE AUTOEXEC.BAT FILE
DIR		GET A DIRECTORY OF THE FLASH FILE SYSTEM
	Directory	directory now has the following 2 files:
	PLL_LAT.CSF 17306	17306 byte file
	PLB_LAT.CSF 18423	18423 byte file
PRINT		CLOSE THE UTILITIES SESSION



Note: Text printed in *ITALIC TYPE* refers to data sent to the printer.
Text printed in **bold type** refers to data sent from the printer.

VERSION Utility

This command reports the firmware version as a four character null-terminated ASCII string.

Format:

<!> <UTILITIES>

{command}

<PRINT>

where:

{command}: VERSION

VERSION Example

Input:

! UTILITIES

VERSION

PRINT

CHECKSUM Utility

This command reports the application checksum as a four character null-terminated ASCII string.

Format:

```
<!> <UTILITIES>  
{command}  
<PRINT>
```

where:

```
{command}: CHECKSUM
```

CHECKSUM Example

Input:

```
! UTILITIES  
CHECKSUM  
PRINT
```

DEL Utility

The DEL command deletes the specified file.

Format:

```
<!> <UTILITIES>  
{command} {name.ext}  
<PRINT>
```

where:

```
{command}: DEL  
{name.ext}: Name of file to be deleted.
```



Note: DEL*.* may be used to globally delete all files.

DIR Utility

The DIR command sends the file directory to a host.

Format:

<!> <UTILITIES>

{command}

<PRINT>

where:

{command}: DIR

DEFINE-FILE (DF) Utility

The DF command defines a file name for a file to be loaded into the printer. If a file with the same name already exists in the printer, it will be overwritten with the new file. The contents of the file must contain ASCII characters. To transfer binary files to the printer, use the utility provided in the Label Vista application.

Format:

```
<!> {command} {filename.ext}
```

```
{data}
```

```
{terminator}
```

where:

{command}: DF

{filename.ext}: Name of file to be created.

{data}: The contents of the file. The file must be ASCII and cannot contain any {terminator} keyword.

{terminator}: Choose from the following:

PRINT: If the PRINT terminator is used, it is also written to the file.

END: If the END terminator is used, it is not written to the file.

DEFINE-FILE Example

Input:

```
! DF AUTOEXEC.BAT
```

```
! UTILITIES
```

```
SETFF 200 20
```

```
PRINT
```



Note: Every time a file is created on the printer using the “! DEFINE-FORMAT..”, “! DF..” or the Label Vista application, for example, the file information is written to flash memory. Unlike RAM, flash memory does not require battery for retaining data, and is immune to data corruption due to static discharge. Although flash memory is superior to RAM for safe guarding file contents, it is limited to an average of 10,000 write cycles (i.e. file creations). The user should invoke the file creation command so that the number of write cycles is not exceeded.

TYPE Utility

The TYPE command allows you to read a text file by sending it from the printer to a host.

Format:

```
<!> <UTILITIES>  
{command} {name.ext}  
<PRINT>
```

where:

```
{command}: TYPE  
{name.ext}: Name of text file to be sent to host.
```

BAUD Utility

The BAUD command enables you to set the printer serial port baud rate.



Note: this command will take effect immediately and the requested baud rate will remain in effect when the printer is powered down.

Format:

```
<!> <UTILITIES>
{command} {baud}
<PRINT>
```

Note that <PRINT> must be sent at the new baud rate

where:

{command}: BAUD

{baud}: Choose from the following:

1200
 4800
 9600
 19200
 38400
 57600
 115200

BAUD Example

Input:

```
! UTILITIES
BAUD 19200
PRINT
```

COUNTRY / CODE-PAGE Utility or CHAR-SET/CODE PAGE Utility

The COUNTRY or CHAR-SET utility command substitutes the appropriate character set for the specified country. The two commands can be used interchangeably.

See Section 8, page 22 for more information on the COUNTRY or CHAR SET command.

Format:

<!> <UTILITIES>

{command} {name}

<PRINT>

where:

{command}: COUNTRY or CHAR-SET

{name}: Choose from the following:

USA

GERMANY

FRANCE

SWEDEN

SPAIN

NORWAY

ITALY

CP850

UK

LATIN9

CP874 (Thai)

CHINA (Simplified Chinese, Double Byte Character Set)

KOREA (Korean, Double Byte Character Set)

BIG5 (Traditional Chinese, Double Byte Character Set)

JAPAN-S (S-JIS, Double Byte Character Set)

COUNTRY / CODE-PAGE Utility Example

Input:

```
! UTILITIES
; Tell the printer to use font 4 size 0
; for line printer mode with 5 millimeters
; line spacing
IN-MILLIMETERS
SETLP 4 0 5
COUNTRY USA
; or CHAR-SET USA
PRINT
```

```
This is text with
Country set to
USA
#$_@[\]^'{}~
```

```
! UTILITIES
COUNTRY ITALY
; or CHAR-SET ITALY
PRINT
```

```
This is text with
Country set to
ITALY
#$_@[\]^'{}~
```



Note: The printer must be configured with fonts that contain the extended character sets used in the selected country.

Output:

**This is text with
Country set to
USA
#\$_@[\]^'{}~**

**This is text with
Country set to
ITALY
£\$§°çé^`ù`à``è`**

ANNOUNCE Utility

The ANNOUNCE command is used to activate pre-programmed sounds in the printer. A space character is required between each code. This command will be ignored by printers that are not equipped with a speaker and voice circuit.

Format:

```
<!> <UTILITIES>
{command} {message}
<PRINT>
```

where:

{command}: ANNOUNCE

{message}: Choose from the following:

Code	Spoken Message
' '	pauses between sounds
':'	"point"
'0'	"zero"
'1'	"one"
'2'	"two"
'3'	"three"
'4'	"four"
'5'	"five"
'6'	"six"
'7'	"seven"
'8'	"eight"
'9'	"nine"
'^'	"version"
'{'	"go to aisle"
' '	"latch is open"
'}'	"battery is low"
'~'	"out of paper"

ANNOUNCE Utility Example

Input :

```
! UTILITIES  
ANNOUNCE 1 2 . 2 5  
PRINT
```

Output:

The speaker will play the message "one two point two five."

TIMEOUT Utility

The TIMEOUT command allows you to set the time the printer will remain on without receiving data. If no data is received after the specified timeout, the printer will turn itself off to save energy and preserve battery life. You can disable the timeout feature by setting the timeout value to 0.

Format:

```
<!> <UTILITIES>
{command} {time}
<PRINT>
```

where:

{command}: TIMEOUT

{time}: Time in 1/8 seconds of inactivity before printer will turn itself off.

TIMEOUT Utility Example

Input :

```
! UTILITIES
TIMEOUT 960
PRINT
```

This example sets the printer to turn off after 2 minutes of inactivity (120 seconds X 8 = 960).

BEEP Command

This command instructs the printer to sound the beeper for a given time length. Printers not equipped with a beeper will ignore this command.

Format:

{command} {beep_length}

Where:

{command}: BEEP

{beep_length}: Duration of beep, specified in .125 (1/8th) second increments.

BEEP Utility Example

Input:

```
! UTILITIES
```

```
BEEP 16
```

```
PRINT
```

This example instructs the printer to beep for two seconds (16 x .125 seconds = 2 seconds)

ON-LOW-BATTERY Command

This command can be issued to instruct the printer as to what action to take when the battery voltage falls below the level set by the “low battery shut-down” setting.

Format:

{command} {options}

where: {command}: OLB

{options}: Choose from the following:

ALERT: The printer will transmit any message included between quote marks out the serial port.

ALARM: Sounds the printer’s beeper in 1/8 second increments. Printers not equipped with a beeper will ignore this option.

ON-LOW-BATTERY Command Example

Input :

```
!UTILITIES OLB ALERT “Low Battery Alert!” ALARM 40
```

This example instructs the printer to transmit the message “LOW BATTERY ALERT!” and sound the beeper for 5 seconds. (1/8 second x 40).

LT Command

This command specifies the command line terminator character(s). The default terminator characters are CR/LF or LF. The printer can be programmed to accept a different character sequence to terminate command lines. This command does not apply to data sent to the printer when it is in line print mode.

Format:

{command} {mode}

Where:

{command}: LT

{mode}: Choose from the following.

CR: Carriage-return (0x0D) character is the line terminator.

LF : Line-feed (0x0A) character is the line terminator.

CR-LF: Carriage-return/line-feed (0x0D 0x0A) characters are the line terminator.

CR-X-LF: Line terminator is a carriage-return (0x0D) followed by any number of characters followed by the line-feed (0x0A) character. Characters found between the carriage-return and line-feed characters are discarded.

LT Command Examples:

Set the printer to require line-feeds only as a terminating character.

```
! UTILITIES LT LF PRINT
```

Set the printer to ignore any characters found between a carriage return character and a line-feed character.

```
! UTILITIES LT CR-X-LF PRINT
```

SET-TIME Utility

This command sets the time in the real time clock module. Time should be a valid time and be given in the specified format. This command will be ignored by printers that are not equipped with a real time clock module.

Format:

<!> <UTILITIES>

{command} {time-stamp}

<PRINT>

where:

{command}: SET-TIME

{time-stamp}: hh:mm:ss

hh = hours (00 – 23)

mm = minutes (00 – 59)

ss = seconds (00 – 59)

GET-TIME Utility

This command reports the current time, if valid, as an eight character null-terminated ASCII string. This command will be ignored by printers that are not equipped with a real time clock module.

Format:

<!> <UTILITIES>

{command}

<PRINT>

where:

{command}: GET-TIME

Printer output: hh:mm:ss\0

hh = hours (00 – 23)

mm = minutes (00 – 59)

ss = seconds (00 – 59)

\0 = null terminator (00H)

SET-DATE Utility

This command sets the date in the real time clock module. Date should be a valid date and be given in the specified format. This command will be ignored by printers that are not equipped with a real time clock module.

Format:

```
<!> <UTILITIES>
```

```
{command} {date-stamp}
```

```
<PRINT>
```

where:

```
{command}:    SET-DATE
```

```
{date-stamp}: mm-dd-yyyy
```

mm = month (01 – 12)

dd = day (01 – 31)

yyyy = year (1990 – 2089)

GET-DATE Utility

This command reports the current date, if valid, as an eight character null-terminated ASCII string. This command will be ignored by printers that are not equipped with a real time clock module.

Format:

<!> <UTILITIES>

{command}

<PRINT>

where:

{command}: GET-DATE

Printer output: mm:dd:yyyy\0
mm = month (01 – 12)
dd = day (01 – 31)
yy = year (1990 – 2089)
\0 = null terminator (00H)

Printing a Time Stamp

To print a time stamp on a label, use any text command and insert [!<TIME] in place of the text to be printed.

Example:

Input:

```
! 0 200 200 210 1  
TEXT 4 0 0 100 !<TIME  
FORM  
PRINT
```

Output:

14:47:23

Printing a Date Stamp

To print a date stamp on a label, use any text command and insert [!<DATE] in place of the text to be printed.

Example:

Input

```
! 0 200 200 210 1  
TEXT 4 0 0 100 !<DATE  
FORM  
PRINT
```

Output:

02-24-2007

PAPER-JAM Utility

This command establishes the parameters that allow the printer to report a paper jam. This command works in conjunction with the "Get Extended Printer Status" escape command detailed in Section 11

Format:

```
<!> <UTILITIES>
{command} {method} {bar distance} {alert "message"}
<PRINT>
```

where:

```
{command}: PAPER-JAM
{method}: PRESENTATION
          BAR
          GAP
```

{bar-distance}: Maximum distance within which index mark of next label is expected

{alert "message"} ALERT "Paper jam detected" : The {alert} parameter is optional.

This parameter establishes which sensor will be used to detect a paper jam.

Once the PAPER-JAM command has been set (for example as part of a config.sys file) the "Get Extended Printer Status" escape command will report back any conditions that do not meet the {bar-distance} parameter and the printer will send the message defined in the {alert} parameter.

Magnetic Card Reader (MCR) Command

This command can be used to configure and activate the Magnetic Card Reader (MCR). The MCR command will be ignored by printers not equipped with a Magnetic Card Reader.

The MCR command can be issued in a label file (! 0 200 ... PRINT), or in a utilities command session (! UTILITIES ... PRINT). This command activates the MCR. When the printer is turned on, the MCR is not active by default until the MCR command is received. To make the MCR active on power-up, the MCR command can be issued from autoexec.bat or run.bat files.

The data transmission indicator of the printer (either an LED or an icon on an LCD) will blink while the MCR is active. When the MCR times out or after a successful read (provided the MCR is not in MULTIPLE read mode,) the MCR will deactivate, thereby returning the data transmission indicator back to its normal state.

Format:

{command} {time-out} {options}

Where:

{command}: MCR

{time-out}: time-out is the inactivity shut-down time, in 1/8th of a second. For example, time-out=80 for a 10-second inactivity time-out ($10 * 8$), or time-out=160 for a 20-second inactivity time-out ($20 \text{ seconds} * 8$). The MCR timer starts ticking once the last option of MCR command is received by the printer. When MCR times out, it will not read a new card until a new MCR command is issued. The only exception to this rule is when MCR is in MULTIPLE read mode. See below for description of MULTIPLE read mode. A time-out of 0 will instruct the printer to never time-out, and wait for a successful read.

{options}: The options listed below can be specified in any order, and must be separated with spaces. The last option must be terminated with cr/lf (carriage-return / line-feed) characters. Options are accumulative, meaning that "MCR 10 ERRORS T1" and "MCR 40 T2" are equivalent to "MCR 40 ERRORS T1 T2". The time-out field is not accumulative, and only the last specified time-out is used. Select from the following options:

Track Options:

T1: Read Track 1. (One or more tracks may be specified to read depending on printer model, per note below)

T2: Read Track 2.

T3: Read Track 3. (Currently not supported by some models. See note below)



NOTES on Track Option for current mobile printer series:

- Cameo 2 CANNOT read track 3. Cameo 2 is capable of reading: Track 1, Track 2, or Tracks 1 AND 2.
- Cameo 3 CAN read three tracks BUT only two tracks at a time: Track 1, Track 2, Track 3, Tracks 1 AND 2, or Tracks 2 AND 3 are supported. Cameo 3 CANNOT read Tracks 1 and 3 at the same time.
- RW series printers can read all tracks in any combination.

Frequency Options:

MULTIPLE: Read multiple swipes. MCR will continue to read and report card swipes until the MCR times out. SINGLE read is the default mode.

SINGLE: Read and report one successful card swipe. No data will be reported if the MCR times out before a successful read. SINGLE read is the default read frequency mode.

Data Reporting Options

QUERY: Report MCR data when queried (In response to MCR-QUERY command, see MCR-QUERY.). By default, the printer will report MCR data when valid MCR data is decoded before the MCR times out.

Debugging Options

ECHO: The printer will print the MCR data by internally routing it to the line-printer module, forcing the data to be printed, as well as being transmitted to the host computer.

Track Data Transmit Options

PREFIX prefix: This option specifies the track data prefix. The printer defaults to no prefix. The PREFIX command should be followed by the data that needs to be sent from the printer to the host, up to 10 characters, and terminated with space or carriage-return/line-feed characters. An example of a typical prefix option is "PREFIX START:".

POSTFIX postfix: This option specifies the track data postfix. The printer defaults to no postfix. The POSTFIX command should be followed by the data that needs to be sent from the printer to the host after all track data have been transmitted, up to 10 characters, and terminated with space or carriage-return/line-feed characters. An example of a typical postfix option is "POSTFIX END".

DEL lr: Defines the track number delimiters, where "l" is the left delimiter character, and "r" is the right delimiter character. Default delimiters for the printer are "DEL T:", meaning that the printer will transmit T, followed by the track number if track number reporting is specified via the TN option, and the ':'. The transmitted data will be, "T1:" or "T:", or "T2:", depending on the options selected.

DELAY nnn: This option specifies the inter-character delay of data sent from the printer to the host, in milliseconds. This command is typically used where the host computer can not collect data transmitted from the printer fast enough, resulting in missed characters. The default DELAY is 0. An example of the DELAY option is: "DELAY 15" which instructs the printer to observe a 15-millisecond delay before sending the next character data to the host.

TN: This option enables the reporting of track number between the delimiters (see "DEL lr" command). The printer will report the track number by default.

NTN: This option disables the reporting of the track number, inserted between the delimiters. The printer enables track number reporting by default.

Error Reporting Options

ERRORS: This option turns error reporting on. Error reporting is turned off by default. The following is a list of the error messages (Please note that the following error messages will be transmitted only if error reporting is turned on, via the ERRORS option in the MCR command):

READ ERROR: This error is reported when the card could not be read due to errors such as parity check, LRC check-sum, no end-sentinel, or invalid characters. It indicates that either: (1) the card is bad, or (2) the card was not swiped correctly. The printer will leave the MCR on and will continue to try to read future card swipe retries by the user until it times out or until a successful read, whichever occurs first.

CANCEL: This error is reported when a MCR-CAN command is received. This error message will confirm that the MCR is turned off.

TIME-OUT: This error is reported when the printer MCR times out before a successful read.

EPREFIX: This option is similar to the PREFIX command, but applies to error messages. Error messages, if error reporting is turned on, will be preceded by the specified eprefix. For example, "EPREFIX ERROR:" instructs the printer to prefix error messages with "ERROR:". The default error prefix is "Error:"

MCR Command Examples

Example 1:

This example sets the MCR in the printer for reading tracks one and two, with a timeout of 10 seconds (10 / 1/8th seconds = 80). The last option of the MCR command must be terminated with cr/lf.

! U1 MCR 80 T1 T2

Once the card is swiped successfully, the following is sent to host:

T1:B4000001234562^PUBLIC JR/JOHN Q.MR^920910199999999 <CR/LF>

T2:4000001234562=9209101999999999<CR/LF>

If the printer times out or the card can not be read, the printer will not return anything to the host (because ERRORS option is not specified in this example).

Example 2:

This example sets the MCR in the printer for reading tracks one and two, with a timeout of 10 seconds (10 / 1/8th seconds = 80). The ECHO command will instruct the printer to print the MCR data (in addition to sending that data to the host). The ERRORS option instructs the printer to report read errors, time-outs, or cancellations, if any. The last option of the MCR command must be terminated with cr/lf.

! U1 MCR 80 ECHO T1 T2 ERRORS

Once the card is swiped successfully, the following is sent to host and printed:

T1:B4000001234562^PUBLIC JR/JOHN Q.MR^920910199999999 <CR/LF>

T2:4000001234562=9209101999999999<CR/LF>

If the printer times out before a successful read, it will send the following message to host and printed on the printer:

ERROR:T1:TIME-OUT

ERROR:T2:TIME-OUT

Example 3:

This example illustrates the PREFIX, EPREFIX, POSTFIX, and DEL (DELimiter) options:

```
! U1 MCR 80 ECHO T1 T2 ERRORS PREFIX START EPREFIX ERR POSTFIX END DEL ()
```

Once the card is swiped successfully, the following is sent to host and printed:

```
START(1)B4000001234562^PUBLIC JR/JOHN Q.MR^9209101999999999END<CR/LF>
```

```
START(2)4000001234562=920910199999999999END<CR/LF>
```

If the printer times out before a successful read, it will send the following message to host and printed on the printer:

```
ERR(1)Time-out<cr/lf>
```

```
ERR(2)Time-out<cr/lf>
```


MCR-QUERY Command

The MCR can be put in a query mode by specifying the “QUERY” option in the MCR command, where it will report MCR data only when it is asked to via the MCR-QUERY command. By default, the printer will report card swipe data immediately after a successful read.

The printer will not respond to MCR-QUERY if it does not have any data, either the track data or an error message. Multiple MCR-QUERY commands may be issued, keeping in mind that the response, or lack thereof, to the MCR-QUERY reflects the card swipe data at the moment MCR-QUERY is issued.

Format:

{command}

Where:

{command}: MCR-QUERY

MCR-QUERY Command Example:

In this example the printer is instructed to report the MCR read operation results.

! U1 MCR-QUERY

MCR-CAN Command

The MCR-CAN command will terminate the current MCR activity, and if error message reporting is enabled via the MCR command ERROR option, will transmit the “Cancel” error message to host.

Format:

{command}

Where:

{command}: MCR-CAN

MCR-CAN Command Example:

In this example the printer is instructed to deactivate the printer MCR and cancel any pending read operations.

! U1 MCR-CAN

S-CARD Command

The S-CARD command can be used to access the Smartcard reader embedded within Zebra Cameo "SC" or Road Warrior models of mobile printers. Differences in Smart Card operation between the Cameo "SC" and Road Warrior are explained in detail below. The smart card library implements the T=1 protocol for ISO7816 compliant cards. This allows users to send ASCII commands to the printer and the printer will in turn forward this command to the smart card with the appropriate header and checksum information. The printer then returns the card's response.

For Cameo "SC" mobile printers, the S-CARD command set is only valid on printers with a printer application at version 41h or above. The software version can be verified by performing a two-key reset as described in Section 1 of this manual. The number in the "Software:" listing on the second report must end in 41h or above (e.g. "Software: HTLK41h"). Cameo "SC" models may be equipped with either Towitoko MICROCHIP or SCM Microsystems SCR135 Smart Card reader only. For Road Warrior mobile printers, Smart Card support is included in all versions of the printer application. All Road Warrior printers are equipped with Phillips TDA8029 Smart Card reader only. Information on which particular Smart Card reader is used is available via a special S-CARD command described later in this chapter.



Note: For clarity of all communication examples in this chapter, Smart Card reader response codes of ASCII "ACK" (hex 0x06) AND ASCII "NAK" (hex 0x15) were shown as <ACK> and <NAK>. Actual Smart Card responses will contain hex values of 0x06 (ASCII ACK) and 0x15 (ASCII NAK).

Format of Smart Card Commands:

{Command } { Operation } { Options }

The 'Operation' argument indicates how to access the reader. All options must be separated by a space unless stated otherwise. The options may appear in any order. The S-CARD command must be issued using the printer utility session command (!U1...) and terminated by a CRLF pair (0x0D0x0A).

Format of Smart Card Command Response:

Response for a successful command:

<ACK><LENGTH><DATA><SW1><SW2>

Explanation of response:

<ACK> = Successfully sent command to the card and received a response.

continued

- <LENGTH> = The response length. This length is for data only, i.e. SW1 and SW2 are not included in response length.
- <DATA> = This is the response from the card in binary form.
- <SW1> = Status byte from card.
- <SW2> = Status byte from card.



Note: See ISO-7816-3 for an explanation of SW1 and SW2

Response for an unsuccessful command:

<NAK><ERROR CODE>

See 'Error Codes' below for an explanation of possible error codes.

First byte of Smart Card command response will be either 0x06 (ASCII ACK) for successful command completion or 0x15 (ASCII NAK) for unsuccessful command completion. For RW models only, in case the Smart Card response was not received within specified timeout, the RW printer will send a message "Invalid response: 80". In this case it may be required to increase the timeout setting value using a command described later in this chapter.

Details of Smart Card Command:

{command}: S-CARD

{Operation}

The Operation command is a required element. An error will be returned if an invalid operation is specified (see 'S-CARD Command Response' and 'S-CARD Command Response Error Codes for error codes). The possible Operation commands are:

CT_ATR: Each smart card has a unique 'Answer To Reset', or ATR. This ATR contains information relevant to data transmission and the card itself. This command/response has the following form:

Command:

! U1 S-CARD CT_ATR

Response:

<ACK><LENGTH><ATR DATA>

CT_DATA: This command is used to send a command to the smart card. The response from the card is returned. A command of this type has the following form:

<CT_DATA> <Length of command> <card command in ascii form>

CT_DATA Example :

! U1 S-CARD CT_DATA 10 8010000008

Description: CT_DATA: indicates the command is to go to the smart card.

10 = length of command

8010000008 = Command to go to the card in ASCII form. This command is converted to binary and sent to the card.

CT_CLOSE: This command will power down the reader and turn off the red LED on the smart card module. (LED is available with Cameo "SC" models only). This command should be used after communicating to the card with the CT_DATA command.

CT_QUERY: This command is used to retrieve any buffered card response. It is to be used after issuing a card command with the 'QUERY' option. This command is only available with the TDA8029 and SCR135 readers.

DEBUG-ON: Enables debug on the printer. This will cause some messages to print out as the printer configures itself for pass-through mode. The messages printed relate to port parameters for the internal communication port communicating with the Smartcard reader and a message will also print out when the printer has been taken out of pass-through mode. Once in 'pass-through' mode, no debug messages are printed.

{Options}



Note: {Options} must precede the {Operation}

ASCII: Data returned from the card will be converted to ASCII. Normally, data returned is in binary form. However, with the ASCII option, returned data will be in ASCII form.

continued

Example: ! U1 S-CARD CT_DATA 10 8010000008

Normally the response to this command might appear as follows:

<0x06><0x10><0x01><0x02><0x03><0x04><0x05><0x06>...

Where <0x06> represents <ACK>

<0x10> indicates there are 16 bytes (0x10 = 16 decimal) of data in the response:

! U1 S-CARD ASCII CT_DATA 10 8010000008

The response would read:

<0x06><10><010203040506...>

Other than the 0x06 (ACK), each byte represents a nibble and each pair of ASCII bytes corresponds to a binary byte.

QUERY

This option tells the printer to hold the response from the card reader. The data will only be returned with the CT_QUERY operation. This option is only available with the TDA8029 and SCR135 readers.

DEBUG-ON

Enables debug on the printer. This will cause some debug messages to print out during communication with the printer/card reader.

Error Codes

Errors from the S-CARD command are of the following format (NAK is hex value of 0x15):

<NAK><ERROR CODE> Where <ERROR CODE> is any of the following are possible error codes. (Please note that error codes for Cameo "SC" and Road Warrior models are different):

Cameo "SC" Smart Card Error Codes:

<0x02> = Protocol not supported (card is not using T=1 protocol)

<0x10> = No card detected

<0x11> = Invalid drive type (currently only the Towitoko CHIPDRIVE micro is supported)

<0x12> = Invalid operation

continued

<0x16> = Invalid command length in S-CARD command

Road Warrior Smart Card Error Codes:

Status Code (hex)	Definition
08	Length of data buffer too short
0A	3 consecutive errors from the card in T=1 protocol
20	Wrong APDU
21	Too short APDU
22	Card mute now (during T=1 exchange)
24	Bad NAD
25	Bad LRC
26	Resynchronized
27	Chain aborted
28	Bad PCB
29	Overflow from card
30	Non-negotiable mode (TA2 present)
31	Protocol is neither T=0 nor T=1
32	T=1 is not accepted (negotiate command)
33	PPS answer is different from PPS request
34	Error on PCK (negotiate command)
35	Bad parameter in command
38	TB3 absent

Status Code (hex)	Definition
39	PPS not accepted (no answer from card)
3B	Early answer of the card during the activation
40	Card deactivated
55	Unknown command
80	Card mute (after power on)
81	Time out (waiting time exceeded)
83	4 parity errors in reception
84	4 parity errors in transmission
86	Bad FiDi
88	ATR duration greater than 19200 etus (E.M.V.)
89	CWI not supported (E.M.V.)
8A	BWI not supported (E.M.V.)
8B	WI (Work waiting time) not supported (E.M.V.)
8C	TC3 not accepted (E.M.V.)
8D	Parity error during ATR
90	3 consecutive parity errors in T=1 protocol
91	SW1 different from 6X or 9X
92	Specific mode byte TA2 with b5 byte=1
93	TB1 absent during a cold reset (E.M.V.)
94	TB1 different from 00 during a cold reset (E.M.V.)

Status Code (hex)	Definition
95	IFSC<10H or IFSC=FFH
96	Wrong TDi
97	TB2 is present in the ATR (E.M.V.)
98	TC1 is not compatible with CWT
9B	Not T=1 card
A0	Procedure byte error
A1	Card deactivated due to a hardware problem
B0	Writing attempt in a protected byte (S9 cards)
B1	Pin Code error (S9 cards)
B2	Writing error (S9 cards)
B3	Too much data requested in a reading operation (S9 cards)
B4	Error counter protected (S9 cards)
B5	Writing attempt without Pin Code verification (S9 cards)
B6	Protected bit already set (S9 cards)
B7	Verify Pin Code error (S9 cards)
C0	Card absent
C1	I/O line locked while the TDA8029 attempts to access an 12C or S10 card
C3	Checksum error
C4	TS in neither 3B nor 3F
C6	ATR not supported
C7	VPP not supported

continued

Status Code (hex)	Definition
CC	No acknowledge from the 12C synchronous card
CD	Generic error during exchange with an 12C synchronous card
E1	Card clock frequency not accepted (after a set_clock_card command)
E2	UART overflow
E3	Supply voltage drop-off
E4	Temperature alarm
E9	Framing error
F0	Serial LRC error
F1	At least one command frame has been lost
FF	Serial timeout

'Set-Get-Do' (SGD) Commands for Smart Card:

The following SGD commands are supported for Smart Card operations on Road Warrior models:

`! U1 setvar "scard.activate" "<OPTION>"`

Where <OPTION> is any of the following:

'BELL_ON': When enabled the printer will 'beep' after a card is powered on. The printer will also 'beep' after a card is powered off or removed.

'LIGHT_ON': When enabled the printer's LCD will flash once after a card is powered on. The LCD will also flash once the card is removed.

'BELL_OFF': Disables the 'BELL_ON' feature described above.

'LIGHT_OFF': Disables the 'LIGHT_ON' feature described above.

continued

Example: Make printer 'beep' every time a Smart Card is powered or removed from Smart Card reader:
 ! U1 setvar "scard.activate""BELL_ON"<CR><LF>

! U1 setvar "scard.resp_timeout""<VALUE>"

Where <VALUE> is a number of milliseconds that Smart Card reader will wait for Smart Card response before timing out. If such a timeout occurs, the printer sends out a message "Invalid response:80". The response timeout value may be increased to prevent timeouts. Response timeout values are in range from 250ms to 5000ms. Default timeout is set to 500ms.

Example: Set Smart Card response timeout to 1.5 seconds:

! U1 setvar "scard.resp_timeout""1500"<CR><LF>

! U1 getvar "scard.resp_timeout"<CR><LF>

Returns current setting of Smart Card response timeout in milliseconds.

S-CARD COMMAND EXAMPLES

This section provides some examples for using the S-CARD command to communicate with the internal Smartcard reader from the 'External Terminal'.

Read card ATR

! U1 S-CARD CT_ATR

Response:

<ACK><0X0D>< 3B E3 00 FF 91 81 71 26 44 00 54 54 54>

Traceability command:

! U1 S-CARD CT_DATA 10 8010000008



Note: When the printer actually sends this command to the printer, it converts the command to binary, adds the appropriate T=1 header and computes the overall command checksum. Then the printer sends this command to the smart card.

Response:

<ACK><08>< C9 1C 92 AA 66 19 A0 00><90><00>

CT_CLOSE command:

! U1 S-CARD CT_CLOSE

DENSO BHT COMMANDS



NOTE: All commands in this section are compatible with ACKNAK-IT v 6.1 or greater.

Zebra mobile printers can have an application downloaded which will support communications to the Denso Barcode Handy Terminal (BHT).

The different methods of communications between a BHT and a Zebra mobile printer are per the table below:

Connection/protocol type		Refer to AUTOEXEC.BAT File	pg. no
Cable	IR		
Cable w/BHT		PROBHT.CBL	P10-52
	IR w/ BHT	PROBHT.IR	P10-52
Cable w/ BHT-IR		PROBHTIR.CBL	P10-53
	IR w/ BHT-IR	PROBHTIR.IR	P10-53

Data is sent to the printer formatted as a BHT .DAT file. The printer will check for the “.DAT” filename extension.

Since the format of data using this protocol is not always what the printer requires, there are several modes of operation that can be set within the printer to specify how record data fields delivered by the protocol are interpreted.

Setting the Data Format

If the default mode (strip trailing spaces then add CR/LF for each data field) is not desired, any of the operating modes can be set by loading an AUTOEXEC.BAT command file into the printer’s flash memory.

Note that any commands intended to modify the BHT operating modes must be placed between the SRF-ACCESS and the END-SRF-ACCESS command lines.

Mode 1: (Default) Strip trailing spaces and add CR/LF

Each data field in a record has any trailing spaces stripped and a CR/LF (carriage return/line feed) pair

continued

added. The data field (stripped of trailing spaces and with an appended CR/LF pair) is then passed to the printer for processing. This is the default way to handle data sent to the printer.

Mode 2: Include all characters in each field (RAW)

The second mode accepts all characters that make up each data field. Using this method, any trailing spaces in a data field will be INCLUDED as data for the printer to process.

Mode 3: Use the first byte as a count of characters to send to the printer.

This mode is based on the first character of a data field being interpreted as a count of data bytes that follow. It is similar to a 'counted string' as found in the Pascal programming language String data type. In the 'counted string' mode, the number of bytes specified by the count will be transferred into the printer. The count byte's maximum value is limited to the data field size minus 1.

Note that in this example the count byte is shown as ASCII, but would actually be sent as a binary number.

Mode 4: Strip trailing spaces

This mode eliminates trailing spaces in each data field of a record. Note that unlike Mode 1 no CR/LF pair is added to the data after stripping the trailing spaces.

Refer to pgs. P10-44 thru P10-47 for examples using the BHT-MODE commands

IR or Cable Interface Selection

The printers are normally self configuring for IR or cable data transmission. Plugging in the communications cable will disable the IR interface; removing the cable will make it active. This default method of interface selection can be overridden by means of a BHT-PROTOCOL command in an autoexec. bat file. (Refer to the examples at the end of this section on setting the mode for IR or cable data transmissions.) BHT-PROTOCOL CABLE enables BHT or BHT-IR protocol via cable. If the BHT-PROTOCOL CABLE command is not present, data is sent "raw" over the serial cable; if it is detected BHT-PROTOCOL BHT sends data in the BHT mode; BHT-PROTOCOL BHTIR sends data in the BHT-IR mode. Performing a two-key reset of the printer will return it to its normal, automatic selection mode. (Refer to pg. P1-2 in this manual for the reset procedure.)

BHT-BAUD Command

The printers support 9600 and 19200 BPS baud rates. The default baud rate for communication with Zebra mobile printers is 9600 BPS. Configuring a BHT baud rate will set both the IR and the cable

continued

transmit speeds to that rate. You must insure that both the printer and the BHT are set to the same baud rate. This can also be changed in an AUTOEXEC.BAT file with the BHT-BAUD <baud-rate> command. (Refer to the BHT-BAUD command example at the end of this section.)

Setting the Mode for IR Data Transmission

Autoexec.bat files can configure the printer for IR data transmission modes. The following notes apply:

- Unless specified otherwise with a BHT-PROTOCOL CABLE command, communication over a serial cable does not use the BHT or BHT-IR protocol. In this default ("raw") mode, any Zebra mobile printer utility for reprogramming, adding or deleting files will be in effect.
- If the printer has been configured to include the BHT or BHT-IR protocol with the serial cable the following procedure may be used to force the printer to communicate "raw" (i.e. using no protocol) for the purposes of reprogramming, or the adding or deleting of files.
 1. Connect the printer to a host terminal loaded with the desired communications software.
 2. Turn the printer on by starting the terminal's communications program.
 3. Turn the printer off, then, while holding the "Feed" key down, turn the printer back on.
 4. The printer will print a status report. When the printout is complete, the communications protocol will be in the "raw" mode.

(Refer to the BHT-MODE Commands examples at the end of this section.)

Configuring the BHT for IR transmission

The BHT must also be configured correctly to communicate with Zebra mobile printers using the BHT or BHT-IR protocol. All parameters that must be set are found in the BHT Set System Communication menu area. The following notes apply:

- The pulse width for optical communications must be set to 1.63 S.
- The protocol is set to match the protocol in the printer. Default for the printer is BHT-IR unless specified as BHT by an AUTOEXEC.BAT file.
- The baud rate (if the printer uses the default) is set to 9600 BPS
- The Serial Number is set to ON.
- Zebra mobile printers use a ID number of 9. You should avoid using this ID value for the terminal.

- The Com port is set to OPTICAL.

BHT-IR File Transmission

Assume that a label file CIS.DAT has been loaded into the BHT. (Refer to pg. _ for details on loading a *.DAT file.) The steps to transmit this file via IR are as follows:

1. Depress the 1 / PW / SF keys all at once, then release. The SYSTEM MENU should be displayed. This menu has 6 options. This power on sequence must be performed every time to boot to the SYSTEM MENU. A regular power on (PW key) will boot into the BHT application.
2. Select option 3:UPLOAD. Press the ENT key.
The UPLOAD menu should now be displayed. Select option 1:DRIVE A. Press the ENT key.
Use the arrow keys, F5, and F6, to scroll through the menu options to the desired file. (CIS.DAT in our example) When CIS.DAT is highlighted, press the ENT key.
3. The IR on the BHT should be pointed towards the IR window on the printer. The transfer of data will power on the printer if it is not already on. When file transfer is complete, ** Completed ** is displayed for the user and a beep sounds. The file will then print. Press the C key to exit this screen.
4. Continue to press the C key to exit back 1 menu at a time (if desired). The SYSTEM MENU is the top-level menu.
5. After a successful UPLOAD, the CIS.DAT file must be re-selected again to transfer to the printer.



NOTES: The arrow keys or a numeric keypress can be used to select a menu option. The arrow keys are F5 through F8. A press of the ENT key usually needs to accompany the option selection. Hold down the PW key for 1 – 2 seconds to turn the BHT off, or let it power down automatically.

Communication errors can occur infrequently during BHT-IR transmission. If a transmission is unsuccessful, the data should be re-sent.

Configuring the BHT for Cable Transmission

The BHT can also be configured for cable communications with Zebra mobile printers using either the BHT or the BHT-IR protocol. All parameters that must be set are found in the BHT Set System -> Communication menu option. The following notes apply:

- The protocol type is set to BHT or BHT-IR protocol. Printer default is BHT-IR

- The SET CONNECTOR menu options:
 1. The TRANSMIT SPEED (if the printer uses the default) is set to 9600 BPS
 2. The PARITY BIT is set to NONE
 3. The DATA BIT is set to 8 BITS
 4. The STOP BIT is set to 1 BIT
 5. The Serial Number is set to ON
 6. The Horizontal Parity is set to ON
- The COM PORT is set to IFC (on the BHT-5000 set COM DEFAULT to CONNECTOR)

Loading a .DAT file into the BHT

Zebra mobile printers will only print files with the .DAT extension sent from the BHT. The following example file CIS.DAT contains a label file that can be loaded from a PC into the BHT via a serial cable using the TU3.EXE utility provided by DENSO. The file can then be sent to a Zebra mobile printer to produce a label. Files with a .DAT extension contain records composed of one or more record fields. For CIS.DAT, each record will be specified as having only one field with a width of 40 bytes. The 40 byte width was chosen because no single line in the example CIS.DAT file exceeds 40 bytes. The resulting records transferred to the BHT will each contain a single field 40 bytes wide. The BHT and BHT-IR protocol will add space characters as needed to any field containing less than 40 bytes. Thus the CIS.DAT file contains 24 lines that will be interpreted as 24 records containing a single field of 40 bytes.

Note that while the example uses the TU3.EXE utility to download the file from a PC, these files could also be created under control of an application program executing directly on the BHT.

The command line that will transfer this file into the BHT is: TU3 +MPC +B9600 CIS.DAT +F40

The BHT will now contain the file CIS.DAT.

Sending The Example Label File to the Printer

Zebra mobile printers with the BHT application will print files with the .DAT extension. As noted before, the default action of the printer when a record is received is to strip all trailing spaces from all record fields, then append a carriage return/line feed pair to the data. Using this default, the trailing spaces in every field of the example CIS.DAT file will be stripped, and a CR/LF pair will be added.

Interrupted Transmissions

If a transmission from the terminal to the printer is interrupted, the user should wait at least five seconds before attempting another transmission. During this delay, the printer will discard any partial data received from the interrupted transmission and reset itself to receive a new transmission.

Example .dat File
Input:

```
! 0 200 200 581 1
;media p/n LD-E9QT7S
LABEL
CONTRAST 0
TONE 0
SPEED 3
PAGE-WIDTH 240
BAR-SENSE
;// PAGE 0000000002400600
;// TEXT 0 1 3 560 DEPT 34
TEXT90 4 3 36 288 $22.88
TEXT90 5 2 163 273 SWEATSHIRT
VBARCODE UPCA 2 1 45 139 576 04364503284
TEXT90 7 0 191 511 043645032841
TEXT90 5 0 4 524 COMPARE AT
TEXT90 4 0 30 508 $ 30.00
TEXT90 5 0 115 575 ZD-180-KL
TEXT90 5 2 119 269 ALL COTTON
TEXT90 7 0 114 389 01/17/98
TEXT90 0 0 208 173 EA00-732-00560
TEXT90 5 0 82 519 ELSEWHERE
BOX 189 358 217 527 1
FORM
PRINT
```

Example .dat File
Output:

COMPARE AT
\$ 30.00
ELSEWHERE
ZD-180-KL 01/17/98
043645032841
\$22.88
ALL COTTON
SWEATSHIRT
EA00-732-00560

SRF-ACCESS and END-SRF-ACCESS Commands

Commands intended to modify the BHT operating modes must be placed between the SRF-ACCESS and the END-SRF-ACCESS command lines.

SRF- and END-SRF-ACCESS Command Example

This autoexec.bat file uses the SRF-ACCESS and END-SRF-ACCESS command pair to establish BHT communication via the BHT-CABLE protocol.

Input:

```
! DF AUTOEXEC.BAT
! UTILITIES
SRF-ACCESS
BHT-PROTOCOL BHT
BHT-PROTOCOL CABLE
BHT-BAUD 19200
BHT-MODE STRIP-ADD-CRLF
END-SRF-ACCESS
PRINT
```

BHT-BAUD Command

This command will set both the IR and the cable transmit speeds. You must insure that both the printer and the BHT are set to this same baud rate. This can also be changed in an AUTOEXEC.BAT file with the BHT-BAUD <baud-rate> command.

Format:

```
{command} {baud rate}
```

where:

```
{command}: BHT-BAUD
```

```
{baud rate}: 9600,19200. Default value for Zebra mobile printers is 9600 BPS.
```

BHT-BAUD Command Example

The following example sets BHT-IR communications to use a baud rate of 19200 BPS and to strip spaces from received data fields.

```
! DF AUTOEXEC.BAT
! UTILITIES
SRF-ACCESS
BHT-MODE STRIP-SPACES
BHT-BAUD 19200
END-SRF-ACCESS
PRINT
```

BHT MODE Commands

This command sets one of several modes of operation to specify how record data fields delivered by the BHT protocol are interpreted.

Format:

{command} {mode}

where:

{command}: BHT-MODE

{mode}: STRIP-ADD-CRLF: Each data field in a record has any trailing spaces stripped and a CR/LF (carriage return/line feed) pair added. The data field (stripped of trailing spaces and with an appended CR/LF pair) is then passed to the printer for processing. This is the default way to handle data sent to the printer.

RAW: The RAW mode accepts all characters that make up each data field. Using this method, any trailing spaces in a data field will be INCLUDED as data for the printer to process.

COUNTED STRING: This mode is based on the first character of a data field being interpreted as a count of data bytes that follow. In the 'counted string' mode, the number of bytes specified by the count will be transferred into the printer. The count byte's maximum value is limited to the data field size minus 1.

STRIP-SPACES: This mode eliminates trailing spaces in each data field of a record. Note that unlike the STRIP-ADD-CRLF mode, no CR/LF pair is added to the data after stripping the trailing spaces.

BHT MODE Command Examples

In the following examples a record is defined to be made up of 3 data fields. Fields 1, 2 and 3 are 10, 8 and 20 bytes long, respectively. The “^” character indicates a space character. Other combinations of fields and field lengths can be used as long as they conform with the BHT protocol’s data file record field formats.

Example 1: Strip Spaces and Add CR/LF:

Input:

```
! DF autoexec.bat
! UTILITIES
SRF-ACCESS
BHT-MODE STRIP-ADD-CRLF
END-SRF-ACCESS
PRINT
```

Output:

Data Record:

```
|---10---|---8---|-----20-----|
COMTEC^AAAA ^INFO^^ ^SYSTEMS^AAAAAAAAAAAAA
```

Data Sent to printer:

```
|COMTEC<CR><LF>^INFO<CR><LF>^SYSTEMS<CR><LF>|
```

Example 2: Send Raw Data

Input:

```
! DF autoexec.bat
! UTILITIES
SRF-ACCESS
BHT-MODE RAW
END-SRF-ACCESS
PRINT
```

Output:

Data Record:

```
|---10---|---8---|-----20-----|
COMTEC^AAAA ^INFO^AAA ^SYSTEMS^AAAAAAAAAAAAA
```

Data Sent to printer:

```
COMTEC^AAAA ^INFO^AAA ^SYSTEMS^AAAAAAAAAAAAA
```

Example 3: Counted String

Input:

```
! DF autoexec.bat
! UTILITIES
SRF-ACCESS
BHT-MODE COUNTED-STRING
END-SRF-ACCESS
PRINT
```

Output:

Data Record:

```
|---10---|---8---|-----20-----|
6COMTEC^AAA 6^INFO^^ 7SYSTEMS^AAAAAAAAAAAAA
```

Data Sent to printer:

```
COMTEC^INFO^SYSTEMS
```

Example 4: Strip Spaces

Input:

```
! DF autoexec.bat  
! UTILITIES  
SRF-ACCESS  
BHT-MODE STRIP-SPACES  
END-SRF-ACCESS  
PRINT
```

Output:

Data Record

```
|---10---|---8---|-----20-----|  
COMTEC^AAA ^INFO^AA ^SYSTEMS^AAAAAAAAAAAA
```

Data Sent to printer

```
|COMTEC^INFO^SYSTEMS|
```

BHT PROTOCOL Command

This command placed in an autoexec. bat file overrides the default method of communication.

BHT-PROTOCOL CABLE enables BHT or BHT-IR protocol via cable. If the BHT-PROTOCOL CABLE command is not present, data is sent "raw" over the serial cable, if it is detected the BHT-PROTOCOL BHT command sends data in the BHT mode; BHT-PROTOCOL BHTIR sends data in the BHT-IR mode.

Format:

{Command} {mode}

where:

{Command}: BHT-PROTOCOL

{mode}: BHT: This mode establishes that data will be sent in BHT protocol mode

CABLE: This mode enables BHT or BHT-IR protocol via cable. If the BHT-PROTOCOL CABLE command is detected the BHT-PROTOCOL BHT command sends data in the BHT mode

BHTIR: Sends data in the BHT-IR mode.

BHT PROTOCOL Command Examples

Example 1: Cable printing with BHT protocol

Input:

```
! DF AUTOEXEC.BAT
! UTILITIES
SRF-ACCESS
BHT-PROTOCOL BHT
BHT-PROTOCOL CABLE
BHT-BAUD 19200
BHT-MODE STRIP-ADD-CRLF
END-SRF-ACCESS
PRINT
```

Example 2: IR printing with BHT protocol

Input:

```
! DF AUTOEXEC.BAT
! UTILITIES
SRF-ACCESS
BHT-BAUD 19200
BHT-PROTOCOL BHT
BHT-MODE STRIP-ADD-CRLF
END-SRF-ACCESS
PRINT
```

Example 3: Cable printing with BHT-IR protocol

Input:

```
! DF AUTOEXEC.BAT
! UTILITIES
SRF-ACCESS
BHT-BAUD 19200
BHT-PROTOCOL BHTIR
BHT-PROTOCOL CABLE
BHT-MODE STRIP-ADD-CRLF
END-SRF-ACCESS
PRINT
```

Example 4: IR printing with BHT-IR protocol

Input:

```
! DF AUTOEXEC.BAT
! UTILITIES
SRF-ACCESS
BHT-BAUD 19200
BHT-PROTOCOL BHTIR
BHT-MODE STRIP-ADD-CRLF
END-SRF-ACCESS
PRINT
```

PRINTER ESCAPE COMMANDS

SET AND READ CODE COMMAND

Printer command sessions normally start with the '!' character. When the printer is used in Generic Text Mode (or Line-Print Mode) and if the user expects to print the '!' character in that mode, then the CCL code must be changed. This is done via the Redefine CCL Code command.

Send the following sequence to redefine the code:

Set CCL Code:

```
ESC (0x1b) '{' (0x7D) 'W' (0x57) '1' (0x31) <new code>
```

Where <new code> is a one-byte character representing the new CCL code.

Once the CCL Code is changed, all CCL sessions should be started with the new CCL code. For example, if CCL code is changed to '~', then instead of issuing a '! UTILITIES' command to the printer, '~ UTILITIES' should be issued.

The printer will retain the new CCL code for as long as it remains powered. If the printer is powered off and back on again, it will revert back to normal operations and will expect '!' as the CCL code.

Send the following sequence to read the CCL code:

Read CCL Code:

```
ESC (0x1b) '{' (0x7D) 'R' (0x52) '1' (0x31)
```

After the above command is issued, the printer will return the one-character CCL code.

Printer Escape Commands Format

Format:

{escape} {command} [parameters]

where:

{escape}: The ESC character (0x1b).

{command}: Choose from the escape commands in this section.

[parameters]: Parameters for the escape commands.



Note: The escape commands should not be used while in a control/utility session (“! UTILITIES... PRINT” OR “! 0... PRINT”).

STATUS/INFORMATION

Get Printer Status

Format:

ESC (0x1b) ‘h’ (0x68)

This command requests a status byte from the printer. If one is returned, it indicates that the printer is operational and has finished processing the previous label. It should be called before loading or printing a label in order to make sure that the host software is synchronized with the printer. If bit 3 of the status byte is high, it indicates that the battery is low. If bit 4 is high, it indicates that the printer has been powered on and reset (see the Reset Status function). This command requests a status byte from the printer with the following format:

Bit	Description
4	Printer reset (0=reset cleared, 1=printer reset)
3	Battery status (0=voltage OK, 1=low battery)
2	Latch status (0=latch closed, 1=latch open)
1	Paper status (0=paper present, 1= out of paper)
0	Printer status (0=printer ready, 1=printer busy)

Acknowledge Printer Reset

Format:

ESC (0x1b) 'N' (0x4e)

This command clears the reset bit that is set on power-up and reported by the 'get printer status' function. The reset information returned by ESC 'h' may be used by the host to perform its printer power-up initializations, such as form-feeding. Once the host completes its initialization of the printer, it may call this function to tell the printer to clear its reset bit.

Get Printer Information

Format:

ESC (0x1b) 'v' (0x76)

This command instructs the printer to return a null-terminated string containing its model number, firmware revision and serial number. In practice, a search for the NUL character should be used, since the length of the string returned may change.

Get Extended Printer Status

Format:

ESC(0x1b) 'i' (0x69)

This command requests the extended status byte from the printer. Printer program versions 24 and higher respond to this command. The extended status byte returned from the printer is in the following format:

Bit	Description
7	Ribbon status: 0=ribbon detected, 1=no ribbon detected
6	Paper supply status: 0=paper supply is OK,1=paper supply is low
5	Presentation (peeler) sensor: 0=last label removed, 1=last label not removed yet
4	Paper-jam: 1= detected, 0 = not detected ²
3	Reserved
2	Reserved
1	Reserved
0	Reserved



- Notes:
1. Mask all reserved bits when reading status.
 2. The PAPER JAM command must be issued prior to requesting the paper jam status.

USER LABEL COUNT

Get User Label Count

Format:

ESC (0x1b) 'J' (0x4a) 'R' (0x52) 'U' (0x55)

This command requests the current user label count from the printer. The response consists of two bytes, most significant byte first. This count represents the total number of labels printed since the last time the count was reset to zero.

Reset User Label Count

Format:

ESC (0x1b) 'J' (0x4a) 'W' (0x57) 'a' (0x61) 'c' (0x63) 'c' (0x63) 'N' (0x4e) 'V' (0x56) 'M' (0x4d) 'U' (0x55)

This command instructs the printer to clear its user label count to zero.

POWER OFF COMMAND

Off Command

Format:

ESC (0x1b) 'p' (0x70)

This function instructs the printer to shut off. This function can be used instead of lowering DTR causing the printer to shut down.

WIRELESS NETWORK PRINTERS

Introduction



NOTES: The printers described in this section are no longer produced by Zebra. If you are using a WLAN enabled QL,RW or MZ series printer, you should use the “get, set,do” parameters detailed in Section 14 rather than the LAN command detailed below.

Zebra Cameo 3N and Encore 3N Network Printers are equipped with a WLAN (Wireless Local Area Network) card. Network printers allow wireless communication as a node within a local area network, and its wireless capabilities allow communications from any point within the LAN’s perimeter.

The following section details commands used with Network Printers to configure various characteristics and to interrogate the printer for its network settings.

Network Printer Safety Consideration



Caution: Use of the Network Printers will result in exposure to Radio Frequency radiation. To conform to FCC RF exposure requirements these printers must be used only in the intended orientation and in the intended manner.

Refer to the User’s Manual for the Network Printer in use for more specific safety instructions. In all cases, avoid prolonged exposure closer than 5 cm. (2 in.) to the radiating area around this unit’s antenna.

LAN Command

Format:

LAN { Operation } { Options }...{ Operation } { Options }

The LAN command can be used to interrogate and configure the Wireless LAN (WLAN) card in a Zebra Network Printer. The entire LAN command must be terminated by a CRLF pair (0x0D0x0A).

{Operation} is a required element. An error will be returned if an invalid operation is specified (see ‘LAN Command Response’ for error codes). Any desired number of Operations can be entered after the LAN command.

The possible Operations are:

IPADDR: This operation allows manual specification of the printer's TCP/IP address. (See the DHCP operation for a description of automatic address assignment.) The option to this operation must be a valid TCP/IP address in the typical dot notation. i.e., a set of four decimal numbers between 0 and 255 separated by dots. E.g., 100.150.200.150 is a valid address. This value will most likely need to be assigned by the administrator of the network the printer will operate on. If an invalid address is specified, this operation has no effect other than to print an error message.

Syntax: IPADDR {IP-Address}

Where {IP-Address} = nnn.nnn.nnn.nnn. Each nnn may range from 0 to 255.

Example:

! U1 LAN IPADDR 90.80.70.60

GATEWAY-IPADDR- This command can be used to set the gateway IP address of the printer. (Available in printer application versions 30A and higher.)

Syntax: GATEWAY-IPADDR {IP-Address}

Where {address} is the dotted decimal representation of the address. For example, 10.14.2.25

Example:

! U1 LAN GATEWAY-IPADDR 12.15.10.3

REMOTE-IPADDR- This command can be used to set the remote IP address of the printer. (Available in printer application versions 30A and higher.)

Syntax: REMOTE-IPADDR {IP-Address}

Where {address} is the dotted decimal representation of the address. For example, 10.14.2.25

Example:

! U1 LAN REMOTE-IPADDR 12.15.10.3

SUBMASK- This command can be used to set the subset mask of the printer. (Available in printer application versions 30A and higher.)

Syntax: SUBMASK {IP-Address}

Where {address} is the dotted decimal representation of the subset mask. For example, 10.14.2.25

Example:

```
! U1 LAN SUBMASK 12.15.10.3
```

SSID- This operation allows the assignment of an RF SSID (Radio Frequency System Set ID). This ID allows several RF networks to operate independently in the same area without interference. The printer must have the same SSID as the RF Access Point to which it is supposed to link. The option for this operation may be any string up to 32 characters long.

Syntax: SSID {SSID string}

Where {SSID string} = 32 characters.

Example:

```
! U1 LAN SSID ZebraNet
```

MODE – This operation sets the operating mode of the printer. The two options are LPD and TCP. LPD is the standard printer protocol used by Unix and available for Windows NT. TCP affords the ability to allow bare sends using only the TCP protocol.

Syntax: MODE {option}

Where {option} = LPD or TCP.

Example:

```
! U1 LAN MODE LPD
```

GET-STATUS – This operation causes the printer to report its current WLAN status. The two options are PRINT and REPLY. If PRINT is used, the status dump is printed. If REPLY is used, the status dump is sent out over the CABLE. The status report is of the following form:

LAN Status report:

ipAdr = nnn.nnn.nnn.nnn

userName = {the user name}

fwVersion = {LAN firmware version}

swVersion = {LAN software version}

MAC addr = hh:hh:hh:hh:hh:hh

associated = {link state}

Where:

nnn.nnn.nnn.nnn = a typical TCP/IP address.

{the user name} = a descriptive username set in the radio.

{LAN firmware version} = a descriptive firmware version set in the radio.

{LAN software version} = a descriptive software version set in the radio.

hh:hh:hh:hh:hh:hh = the IEEE network address of the LAN card.

{link state} = YES or NO

Syntax: GET-STATUS {option}

Where {option}= PRINT or REPLY.

Example:

! U1 LAN GET-STATUS PRINT

GET-CONFIG – This operation causes the printer to report its current WLAN configuration. The two options are PRINT and REPLY. If PRINT is used, the configuration dump is printed. If REPLY is used, the configuration dump is sent out over the CABLE. The configuration report is of the following form:

```
LAN Config report:
ipAdr = nnn.nnn.nnn.nnn
powerMode = {power mode state}
quiet = {quiet state}
protocol = {protocol selected}
essID = {SSID string}
DHCP = {DHCP state}
DHCP_SAVE = {DHCP_SAVE state}
```

Where:

nnn.nnn.nnn.nnn = a typical TCP/IP address.

{power mode state} = SAVE or FULL.

{quiet state} =YES or NO. YES means the radio only transmits normal data, NO means the radio transmits link status information on power up and status change.

{protocol selected} = LPD or TCP.

{SSID string} = the System Set ID string.

{DHCP state} = ON or OFF

{DHCP_SAVE state} = ON or OFF

Syntax: GET-CONFIG {option}

Where {option} = PRINT or REPLY.

Example:

```
! U1 LAN GET-CONFIG PRINT
```

SOFT_RESET – This operation resets the WLAN card. If the application determines that the WLAN card is not responding (e.g., if a GET_STATUS query goes unanswered), it may try to reset the card. **SOFT_RESET** should be tried first, and if it fails then **RESET** should be used.

Example:

```
! U1 LAN SOFT_RESET
```

RESET – This operation performs a “hard” reset of the WLAN card. If the application determines that the WLAN card is not responding (e.g., if a GET_STATUS query goes unanswered), it may try to reset the card. The **SOFT_RESET** command should be tried first, and if that fails then **RESET** should be used

Example:

```
! U1 LAN RESET
```

DHCP – This operation allows for control over setting of the WLAN card’s IP address. The options for this operation are enabled (ON) or disabled (OFF). If DHCP is enabled, the WLAN card will attempt to obtain an IP address from a DHCP server. If DHCP is disabled, the WLAN card will use the IP address programmed into its non-volatile storage.

Syntax: **DHCP** {option}

Where {option} = ON or OFF

Example:

```
! U1 LAN DHCP ON
```

DHCP-SAVE – This operation allows for control of the storing of addresses obtained by DHCP. If ON, a new address obtained from DHCP will be stored. If OFF, the new address will be used for this session only, leaving the previously stored address unchanged.

Syntax: **DHCP-SAVE** {option}

Where {option} = ON or OFF

Example:

```
! U1 LAN DHCP-SAVE ON
```

DHCP-TIMEOUT – This operation allows for control of number of times the DHCP client will attempt to obtain an address from the DHCP server. The argument is the number of times the client will make a request before giving up. The client can be told to never give up by making the argument 0.

Syntax: DHCP-TIMEOUT {0 – 15}

Example:

```
! U1 LAN DHCP-TIMEOUT 5
```

PORT – This operation allows for setting of the TCP port that the printer will listen on while in TCP mode.

Syntax: PORT {PortNumber}

Example:

```
! U1 LAN PORT 515
```

Setting the IP Address for Network Printers

1. Create the following document in a text editor such as Notepad, replacing (192.0.11.195) with your Network Printer's address, and (ZebraNet) with the SSID of your RF Access Point. It may be necessary to obtain this information from your network administrator:

```
! UTILITIES
LAN IPADDR 192.0.11.195 SSID ZebraNet MODE LPD
PRINT
```

Insure each line, including the last, is terminated with <CRLF>. Save the file in a convenient location.

2. Using a serial communications cable (p/n BL11757-000), connect the printer to the serial port of a PC loaded with the Label Vista™ program. Open Label Vista and select the "Diagnostic Send" utility under the Printer menu.
3. Use the "Browse" button to navigate to the file you created in step 1 and click on the "Send" button. The file will be sent to the printer, and the dialog box will indicate the download progress. Once the IP address has been downloaded successfully, it will stay resident in the printer's memory until a new IP address is sent. The IP address can be verified by performing a "2 key reset" on the printer. The "2 key reset" is initiated by the following key sequence:

- 1 Press the "FEED" key,
- 2 While still holding down the "FEED" key, press and release the "ON/OFF" key (Cameo 3N) or the "On" key (Encore 3N).
- 3 Keep the "FEED" key depressed until printing starts.

The printer will produce a line of interlocking "x" characters to insure all elements of the printhead are working, and then print out a status report.

The resulting printout should include a Wireless Communications section. You should verify that the following lines are included, with your IP address and SSID:

ipAdr = (your IP address)
 associated = YES
 protocol = LPD
 essID = (Your SSID)
 DHCP = OFF

If there is no Wireless Communications section or the parameter values do not match what is expected, please refer to the Network Printer Troubleshooting discussion at the end of this section.

Details of this method of setting the IP address are covered earlier in this section in the discussions of the IPADDR, SSID and MODE operations.

LAN Command Response

If an operation unsupported by the LAN command is given, the printer will generate the following message:

***Invalid LAN option {operation}

where {operation} is the invalid operation

If an operation with an option unsupported by the LAN command is given, the printer will print the following message:

Illegal{operation}option {option}

where {option} is the invalid option.

Network Printer Troubleshooting

If the printer does not behave as described in this section, please take the following diagnostic steps:

1. Perform a 2 key reset on the printer. I.e., turn the printer off, depress and hold the FEED key, press the POWER key, and then release the FEED key. The printer will produce a line of interlocking "x" characters to insure all elements of the printhead are working, and then print out a status report. Refer to next page for an annotated sample of a status report.
2. Under the status report's Program heading, the software should have a label similar to HTLANxxx. If not, the LAN application is not loaded on this printer and LAN operation is not supported. Contact Zebra Technical support.
3. Under the RF LAN INFORMATION section, if you see: "Could not get WLAN status" or "Could not get WLAN config" the internal radio is not responding. If you repeat step 1 with the same result, contact Zebra Technical support.
4. Under the RF LAN INFORMATION section, verify that the SSID and IP address are set to the values you expect as described in the Printer Setup section above. If not, repeat the printer setup. If the information is still not correct, contact Zebra Technical support.
5. Verify that the printer is associating with the RF Access Point. Bring the printer as close as you can to the RF Access Point you are using and do a 2 key reset. Check that the value for the associated parameter under RF LAN INFORMATION is YES. If not, contact Zebra Technical support .
6. If you do not get a label when you try printing, verify that the printer is on.

Wireless LAN Report Example

Zebra Encore3 V79/00 11/29/00
Serial Number:



XxEC00-10-0042 ● Unit Serial Number

Program:

Firmware:HTE27915 /18
 Chksum:116B
 Software:HTLAN28M ●
 Chksum:A7EB

Application: Network
 Printers will have "HTLAN"
 prefix.

Ver:L4.R79.15.U126.B15.T19.A00

Cable Communications:

19200 BPS, N,8,1
 Handshake:Xon-Xoff/hardware

Wireless Communications:

RF LAN INFORMATION:

Release: 3.23
 Date: 11/21/2000
 ipAdr = 10.14.2.204 ●
 fwVersion = S4.40 000720
 swVersion = Version 4.40 ●
 MAC addr = 00:a0:f8:8e:35:05
 associated = YES ●
 Device ID = XxEC00-10-0042
 subnet = 255.255.255.0
 protocol = LPD
 powermode = SAVE
 essID = ZebraNet ●
 DHCP = OFF
 DHCP_SAVE = OFF

I.P Address
 Radio Software Version
 Unit is associated with LAN : Yes/No

SSID Address



10.14.2.204 ● I.P Address

PROGRAMMING THE DISPLAY OPTION

Introduction:

QL and RW series printers with the LCD control panel option use the WML language to create screens or “cards” for the display. This section explains the WML tags and commands used to create a menu for the LCD. The file should be named INDEX.WML. This file can be sent to the printer via an FTP session or by using Label Vista. By using a line like `$(vnd.zo.parameter name)` you can display the value of that parameter name as seen in example 1. Refer to Section 14 of this manual for complete information on available parameters.

Refer to Table 1 at the end of this section for information on WML tags used by the QL and RW series display.

The first card to be displayed should always be called “main”. The following example demonstrates the timer function and uses this to refresh the LCD to give a current battery voltage, head latch status, and paper out status. In the example each line is followed by a CR/LF (0x0D/0x0A).

Example 1:

This is a complete menu that demonstrates most of the tags from Table 1 at the end of this section. The `<do>` tag is shown is Example 2.

Language Tag

```
<wml>
```

Direct output to the LCD screen

```
<display>
```

Begin card named netset, with no title and a 10-second delay go back to the main card.

```
<card id="netset" title=" " ontimer="#main"> <timer value="100"></timer>
```

Display the IP address

```
<p>IP:$(vnd.zo.ip.addr)</p>
```

Line Break

```
</br>
```

Display the PORT number

```
<p>TCP Port:$(vnd.zo.ip.port)</p>
```

Line Break

```
<br/>
```

Display the ESSID

```
<p>eSSID:$(vnd.zo.wlan.current _ essid) </p>
```

Line Break

```
<br/>
```

Display the associated status

```
<p>Associated:$(vnd.zo.wlan.associated) </p>
```

Display a link back to the main card

```
<p><a href="#main">back</a></p>
```

Close the card tag

```
</card>
```

Begin a card named "main", with a title and refresh rate of 1 second.

```
<card id="main" title="Zebra QL 320,Status" ontimer="#main"> <timer value="10"></timer>
```

Line Break

```
<br/>
```

Display battery voltage and battery status.

```
<p>Battery:$(vnd.zo.power.voltage)V$(vnd.zo.power.status) </p>
```

Line Break

```
<br/>
```

Display head latch status

```
<p>Latch:$(vnd.zo.head.latch)</p>
```

Line Break

```
<br/>
```

Display paper out status and put a space after it.

```
<p>Paper:$(vnd.zo.media.status) </p>
```

Insert four spaces and put a link to the card netset

```
<p> <a href="#netset">more</a></p>
```

Close the card tag

```
</card>
```

Close the display tag

```
</display>
```

Close the WML tag

```
</wml>
```

Example 1 looks like this:

```

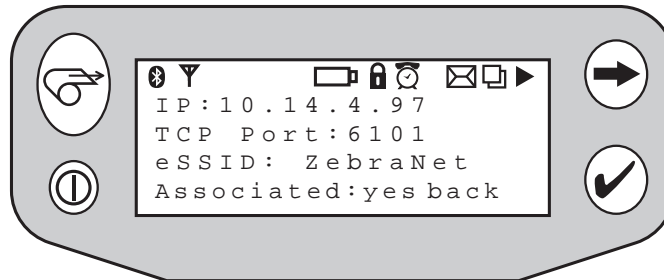
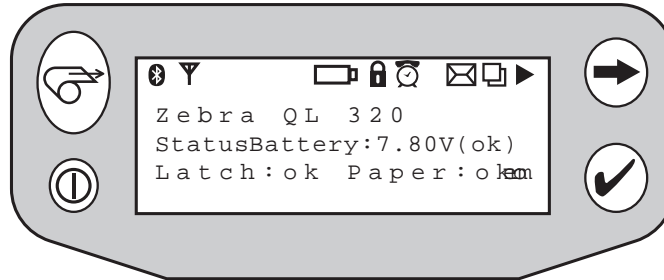
<wml>
<display>
<card id="netset" title=" " ontimer="#main"> <timer value="100"></timer>
  <p>IP:$(vnd.zo.ip.addr)</p>
  <br/>
  <p>TCP Port:$(vnd.zo.ip.port)</p>
  <br/>
  <p>eSSID:$(vnd.zo.wlan.current _ essid) </p>
  <br/>
  <p>Associated:$(vnd.zo.wlan.associated)

</p>
  <p><a href="#main">back</a></p>
</card>
<card id="main" title="Zebra QL 320,Status" ontimer="#main"><br/>
  <timer value="10"></timer>
  <p>Battery:$(vnd.zo.power.voltage)
V$(vnd.zo.power.status) </p>
  <br/>
  <p>Latch:$(vnd.zo.head.latch)</p>
  <br/>
  <p>Paper:$(vnd.zo.media.status) </p>
  <p>  <a href="#netset">more</a></p>
</card>
</display>
</wml>
    
```

LCD Output for Example 1:



Note: The LCD screen for QL and RW series printers is 20 characters across and 4 lines.



Example 2:

This example is not a complete menu setup it is a sample card. It is meant as a tool to break down the tags and explain their use.

Comments

```

<!-- ***** ->
<!-- ***** Setup Comm Baud Card ***** ->
<!-- ***** ->
    
```

Begin card, the card name is baud, the title is "Com,Baud", when the 20 second timer expires go to the card called status.

```
<card id="baud" title="Com,Baud" ontimer="#status"> <timer value="200"></timer>
```

Display the current baud rate after four spaces.

```
<p> $(vnd.zo.comm.baud)</p>
```

Do a line break

```
</br>
```

Display 9600 and put three spaces after it, if 9600 is selected then execute the setvar command to change the baud rate to 9600 in the <do> ... </do> and refresh the display.

```

<do type="accept" label="9600">
<setvar name="vnd.zo.comm.baud" value="9600"/><refresh/>
</do><p>      </p>
    
```

Display 19200, if 19200 is selected then execute the setvar command to change the baud rate to 19200 in the <do> ... </do> and refresh the display.

```

<do type="accept" label="19200">
<setvar name="vnd.zo.comm.baud" value="19200"/><refresh/>
</do>
    
```

Do a line break

```
</br>
```

Link the card back to the previous menu.

```
<p><a href="#comm">Back</a>      </p>
```

Link the card back to the main menu.

```
<p><a href="#main">Main</a></p>
```

End the card

```
</card>
```


Example 2 looks like this:

```
<!-- ***** ->
<!-- ***** Setup Comm Baud Card ***** ->
<!-- ***** ->
<card id="baud" title="Com,Baud" ontimer="#status">
  <timer value="200"></timer>
  <p> $(vnd.zo.comm.baud)</p>
  </br>
  <do type="accept" label="9600">
    <setvar name="vnd.zo.comm.baud" value="9600"/><refresh/>
  </do><p> </p>
  <do type="accept" label="19200">
    <setvar name="vnd.zo.comm.baud" value="19200"/><refresh/>
  </do>
  </br>
  <p><a href="#comm">Back</a> </p>
  <p><a href="#main">Main</a></p>
</card>
```

LCD Output for Example 2:



Note: The LCD screen for QL and RW series printers is 20 characters across and 4 lines.

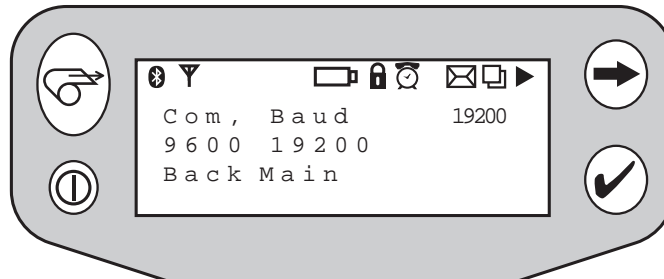


Table 1: WML Tags used on QL and RW Series Printers

Tag	Comments
<wml> ... </wml>	Declares a WML document
<DISPLAY> ... </DISPLAY>	Sends output to LCD
"<card id=""cardname"" title=""titlename"" ontimer=""#main""> ... </card>"	Declares a card (or screen)
</br>	Line Break, on the display this will do the equivalent to a CR/LF. Please note that the display is 20 characters long. The 21st character will display at the first position of the next line.
<p> ... </p>	Paragraph
" "	Hyper-link to another card (screen)
\$(vnd.zo.printer_option)	Gets printer option similar to the GETVAR command where "printer_option" is a valid GETVAR option from Section 14.
<!-- ... -->	Comments
<timer value=nnn></timer>	Sets the timer to value nnn = duration to wait in 10 ^{ths} of a second. This is the wait period for the check button to be pressed before going to the card specified in the ontimer option of the card tag.
"<do type=""accept"" label=""xxx""> <setvar name=""vnd.zo.{option}"" value=""yyy""/><refresh/> </do>"	Performs specific action when label "xxx" is selected " value=""yyy""/><refresh/> </do>" from the menu. The {option} is specified the same way as the SETVAR command as detailed in Section 14. The value is the new value desired. The tag <refresh/> is used to refresh the screen after the command is issued.

continued

CONFIGURATION/CONTROL COMMANDS

Introduction

The following section covers a set of commands to configure and query printer parameters and perform various printer control functions. Examples of this set of commands include setting printer's IP address, querying printer's baud rate, or instructing the printer to advance its media to top of form. This set of commands is referred to as the set/get/do commands, and is available in the printer applications version 40 and above. The software version can be ascertained by performing a two-key reset as described in Section 1 of this manual. The number in the "Software:" listing on the second report must end in 40 or above (e.g. "Software: HTLK40d")



Note: Software applications for all QL Plus, RW, MZ, P4T, and EZ320 printers support Set-Get-Do command functionality.

These commands follow a standard format as described below.



Note: All commands must be terminated with a CR/LF (0x0D, 0x0A). Actions and parameter names must be specified in lower-case. Parameter values should be specified in lower-case unless the parameter value itself is case sensitive, such as a printer's WLAN ESSID.

Command Format

Three commands are available: setvar, getvar, and do.

"setvar" commands are used to configure printer operating parameters to specified values.

"getvar" commands are used to query the printer for its parameter values.

"do" commands are used to instruct the printer to perform various functions.

Entering the line !<[parameter] in a label file will print the value of the parameter specified between "[]"

The formats of these commands are as follows:

getvar Command

The getvar command is used to get the current value of printer parameters. This command must be terminated by a CR/LF (0x0D, 0x0A). The printer will respond with the parameter value of "?" if the parameter does not exist (usually due to incorrect spelling of the parameter name) or it has not been configured yet. The parameter name should be specified in lower case.

continued

Format:

getvar "{parameter name}"

{Parameter name}= The name of the parameter to be retrieved. Please refer to the parameter list for valid parameter names.

setvar Command

The setvar command is used to set parameter values in the printer. This command must be terminated by a CR/LF (0x0D, 0x0A). The parameter name must be in lower case. Parameter values must be specified in lower case, unless the parameter value itself is case sensitive, such as a printer's WLAN eSSID.

Format:

setvar "{Parameter name}" "{Value}"

{Parameter name} The name of the parameter to be set. Please refer to the parameter list for valid parameter names.

{Value} The new value to assign to the specified parameter above.

do Command

The do command can be used to instruct the printer to perform predefined actions. Some do commands require one or more parameters. These parameters should be enclosed in double quotes. This command must be terminated by a CR/LF (0x0D, 0x0A). The printer will perform the specified function immediately after receiving the command.

Format:

do "{Action name}" "{parameter}"

{Action name} The action to perform. Please refer to the parameter list for valid action names.

{parameter} Some actions require one or more parameters. The parameters should be specified as required by the corresponding action, enclosed within double quotes. For actions that do not require a parameter an empty parameter list should be specified, i.e. "".

Commands / Parameters

Following are descriptions of each set/get/do command in detail, including the required parameters, if any, and possible choices for parameter values. Each set/get/do command described below also includes examples to demonstrate proper syntax and usage.

appl.date

Type: getvar

This parameter refers to the printer's application date.

getvar result	Printer will respond with the applications date in the mm/dd/yy format	
Example:	Description	Get printer application's date
	Syntax	! U1 getvar "appl.date"
	Result	"01/29/02"

appl.name

Type: getvar

This parameter refers to the printer's application name.

getvar result	Printer's application name will be returned.	
Example	Description	Get printer application name
	Syntax	! U1 getvar "appl.name"
	Result	"htstd40a.hex "

appl.version

Type: getvar

This parameter refers to the printer's application version.

getvar result	Printer application version as a 4-digit (hex)number.	
Example	Description	Get printer application's version
	Syntax	! U1 getvar "appl.version"
	Result	"7940"

Bluetooth® Parameters

The following parameter names are only available with Bluetooth enabled applications. Changes made using the setvar command with Bluetooth parameters will be set in the printer, but will not take effect until a new link is established, power is cycled or the device.reset command is issued. If a link already exists the change will not effect the current connection and will not cause a disconnect.

bluetooth.address

type: getvar

This parameter is the Bluetooth device address - programmed into each radio.

getvar result	Returns the printer's Bluetooth address.	
Example	Description	Get printers Bluetooth address
	Syntax	! U1 getvar "bluetooth.address"
	Result	"00:80:37:16:87:71"

bluetooth.afh_map

type: getvar. setvar

Sets or retrieves default AFH channel map (Bluetooth 1.2 radios only); 20 bytes.

The AFH map must be 20 characters long; for Zebra printers. All characters used are HEX characters. 20 HEX characters used for AFH channel map form 80 bits binary channel map that represents 79 channels used by Bluetooth (the first bit is masked out automatically by the Bluetooth library). Each bit defines a 1 MHz Bluetooth channel state that will be used to generate the AFH channel map where 1 marks a channel as “good” and 0 marks a channel as “bad” (not to be used by Bluetooth radio).The rightmost bit defines channel 0 and the leftmost bit defines channel 79. This map is passed to the Bluetooth radio installed in Zebra printer when AFH mode is ON.



NOTE: Default AFH Channel Map value is set to enable all 79 Bluetooth channels.

getvar result	20 bytes string of HEX characters	
Example	Description	Retrieves default AFH channel map
	Syntax	! U1 getvar “bluetooth.afh_map”
	Result	“7FFFF0000007FFFFFFFF”
setvar choices	20 bytes string of HEX characters	
	Default	“7FFFFFFFFFFFFFFFFFFFFF”
Example	Description	Sets AFH channel map to use upper half of BT spectrum
	Syntax	! U1 setvar “bluetooth.afh_map” “000000000FFFFFFFFF”
	Result	N/A

bluetooth.afh_map_curr

type: getvar

Retrieves the current AFH channel map (may be different from default AFH channel map)

The current AFH channel map is 20 HEX characters long and represents a bit-mapped channel map for 79 Bluetooth channels; each bit defines a 1 MHz Bluetooth channel. Zebra printers with collocated Bluetooth and Wi-Fi radios should have the current AFH channel map different from the default AFH channel map because the Bluetooth library constantly adjusts Bluetooth AFH channels and Wi-Fi channels to eliminate interference between the radios. In systems without collocated Bluetooth and 802.11 b/g radios this parameter returns a channel map identical to user-defined AFH Channel Map ("bluetooth.afh_map").

getvar result	20 bytes string of HEX characters	
Example 1	Description	Retrieves current AFH channel map
	Syntax	! U1 getvar "bluetooth.afh_map_curr"
	Result	"000000000FFFFFFFF"
Example 2	Description	Retrieves current AFH channel map
	Syntax	! U1 getvar "bluetooth.afh_map_curr"
	Result	"7FFFFFFFFFFFFFFFFF"

bluetooth.afh_mode

type: getvar, setvar

Sets or retrieves Adaptive Frequency Hopping mode setting (Bluetooth 1.2 radios only)

Bluetooth specification 1.2 introduced adaptive frequency hopping that allows Bluetooth devices to use selected frequency channels only and omit all other frequency channels. Adaptive frequency hopping prevents collisions with 802.11b/g devices that use the same spectrum. Zebra printers with the 1.2 Bluetooth stack are AFH enabled and can dynamically adjust embedded Bluetooth radio frequencies to frequencies used by 802.11b/g radios.



NOTE: AFH is disabled if a Bluetooth 1.1 compliant radio is detected.

getvar result	"on", "off"	
Example	Description	Retrieves current setting of AFH mode
	Syntax	! U1 getvar "bluetooth.afh_mode"
	Result	"off"
setvar choices	"on", "off"	
	Default	"off"
Example	Description	Sets AFH mode ON
	Syntax	! U1 setvar "bluetooth.afh_mode" "on"
	Result	N/A

bluetooth.authentication

type: getvar; setvar

This parameter sets Bluetooth authentication mode and works in combination with the “bluetooth.bluetooth_pin” parameter. When authentication is set to “default” a PIN is required to connect to the printer that is based on the friendly-name. Contact your printer supplier to obtain the algorithm that generates this PIN.

When authentication is set to “setpin”, the PIN required to connect is set in the “bluetooth.bluetooth_pin” parameter.



NOTE this parameter and the following “bluetooth.bluetooth_pin” parameter apply only when Bluetooth library versions 1.2.3 or later are installed in the printer. Refer to “Getting Printer information” in Section 1 for information on obtaining installed printer software versions

getvar result	Current authentication mode setting, “off”, “default”, “setpin”.	
Example	Description	Get the current Bluetooth authentication mode
	Syntax	! U1 getvar “bluetooth.authentication”
	Result	“off”
setvar choices	“off”, “default”, “setpin”	
	Default	“off”
Example	Description	Enable Bluetooth authentication
	Syntax	! U1 setvar “bluetooth.authentication” “default”
	Result	Printer will enable Bluetooth authentication with user defined PIN set in the “bluetooth.bluetooth_pin” parameter

bluetooth.bluetooth_pin

type: getvar, setvar

This parameter is used to connect to the printer only when the “bluetooth.authentication” parameter is set to “setpin”.

This parameter is not used when the “bluetooth.authentication” parameter is set to “default” or “off”. See “bluetooth.authentication”.

getvar result	returns the printer’s Bluetooth PIN value	
Example	Description	Instructs the printer to respond with the Bluetooth PIN value
	Syntax	! U1 getvar “bluetooth.bluetooth_pin”
	Result	“MyPin”
setvar choices	text string up to 10 characters	
	Default	“ ”
Example	Description	Instructs the printer to change the Bluetooth PIN value
	Syntax	! U1 setvar “bluetooth.bluetooth_pin” “MyPin”
	Result	Changes password to “MyPin”

bluetooth.date

type: getvar

This parameter is the release date of the Bluetooth module.

getvar result	Printer's Bluetooth library release date in the format "mm/dd/yy"	
Example	Description	Get printer's Bluetooth module release date
	Syntax	! U1 getvar "bluetooth.date"
	Result	"12/10/08"

bluetooth.discoverable

type: getvar; setvar

This parameter sets the Bluetooth discoverable mode.

getvar result	Current discoverable mode setting, "off" or "on"	
Example	Description	Get the current Bluetooth discoverable mode
	Syntax	! U1 getvar "bluetooth.discoverable"
	Result	"on"
setvar choices	"on", "off"	
	Default	"on"
Example	Description	Disable discoverable mode
	Syntax	! U1 setvar "bluetooth.discoverable" "off"
	Result	Printer will disable discoverable mode

bluetooth.enable

type: getvar, setvar

This command enables or disables the Bluetooth radio.

getvar result	Retrieves current status of Bluetooth radio	
Example	Description	
	Syntax	! U1 getvar "bluetooth.enable"
	Result	
setvar choices	Enables or disables the Bluetooth radio	
	default	"on"
Example	Description	Show the value set to "on"
	Syntax	!U1 setvar "bluetooth.enable" "on"
	Results	"on" enables the Bluetooth radio "off" disables the Bluetooth radio

bluetooth.friendly_name

type: getvar, setvar

This parameter sets the friendly_name, which is part of the local_name used during service discovery and also affects authentication. The friendly_name is a string of up to 20 characters long; it will default to the printer serial number if not set by the user.

Changes to local_name and authentication will not occur until power is cycled or the device.reset command is issued.

getvar result	Returns the friendly_name	
Example	Description	Get printer friendly_name
	Syntax	! U1 getvar "bluetooth.friendly_name"
	Result	"SYGN01-11-0389"
setvar choices	any string of 20 characters or less.	
	default	printer serial number
Example	Description	Set the friendly_name
	Syntax	!U1 setvar "bluetooth.friendly_name" "16314A"
	Results	<ul style="list-style-type: none"> • Friendly_name will become: "16314A" • Local_name will become: "Encore 3 16314A" • Authentication PIN will change

bluetooth.local_name

type: getvar

This parameter is the local name that will be provided during service discovery. It is a combination of the printer model name and the friendly_name

getvar result	Returns the printer's name.	
Example	Description	Get printers local name
	Syntax	! U1 getvar "bluetooth.local_name"
	Result	"Encore3 XXEN02-01-0317"

bluetooth.minimum_security_mode

type: getvar, setvar

This parameter refers to the Bluetooth Minimum Security Mode. Minimum Security Mode provides for three levels of security, depending on the printer radio version and printer firmware: "1", "2", "3".

In Security Mode 1 the printer will:

- 1) Be discoverable
- 2) Will not require a pin to connect to

In Security Mode 2 the printer will:

- 3) Switch to bluetooth.authentication = "setpin" (Connecting device must provide the printer's bluetooth. bluetooth_pin)
- 4) Switch to bluetooth.encryption = "on"
- 5) Use existing bluetooth.discoverable setting

In Security Mode 3 (Link Level Enforced Security) the printer will:

- 6) Switch to bluetooth.authentication = "setpin" (Connecting device must provide the printer's bluetooth. bluetooth_pin)
- 7) Switch to bluetooth.encryption = "on"
- 8) Switch to bluetooth.discoverable = "off"
- 9) Will only connect to devices which use Link Level Enforced Security

NOTE: This feature is available in printers with Bluetooth radio version 2.0 or higher.

getvar result	"1", "2", "3"	
setvar choices	"1", "2", "3"	
	Default: "1"	
getvar example	Description	This example retrieves the current Security Mode setting.
	Syntax	! U1 getvar "bluetooth.minimum_security_mode" "1"
	Result	"1"
setvar example	Description	This example sets Security Mode to "3".
	Syntax	! U1 setvar "bluetooth.minimum_security_mode" "3"
	Result	"3"

bluetooth.radio_version

type: getvar

Returns the version of the Bluetooth radio installed.

getvar results	"1.1","1.2","???"	
Example 1	Description	Returns the version of Bluetooth radio installed (new radio)
	Syntax	! U1 getvar "bluetooth.radio_version"
	Result	"1.2"
Example 2	Description	Returns the version of Bluetooth radio installed (current radio)
	Syntax	! U1 getvar "bluetooth.radio_version"
	Result	"1.1"
Example 3	Description	Returns the version of Bluetooth radio installed (no Bluetooth radio installed)
	Syntax	! U1 getvar "bluetooth.radio_version"
	Result	"???"

bluetooth.short_address

type: getvar

This command shortens the Bluetooth address by removing the colons (":").

getvar result	Shortened Bluetooth address	
Example	Description	Retrieves shortened Bluetooth address
	Syntax	! U1 getvar "Bluetooth.short_address"
	Result	

bluetooth.version

type: getvar

This parameter is the Bluetooth library version number.

getvar result	Bluetooth module version in the format "x.y.z"	
Example	Description	Get Bluetooth module version
	Syntax	! U1 getvar "Bluetooth.version"
	Result	"1.1.0"

Comm Port Parameters

comm.parity

type: getvar; setvar

This parameter refers to the printer's comm. parity.



Note: Once the printer's communications port parameters have been changed, the host terminal must also be configured to match the new printer settings before the host can communicate again.

getvar result	Printer's comm. port parity. See setvar choices for possible values	
Example	Description	Get printer's comm. parity setting
	Syntax	! U1 getvar "comm.parity"
	Result	"N"
setvar choices	"N" (none), "E"even, and "O"(odd)	
	Default	"N"
Example	Description	Set printer's comm. port parity to None (no parity)
	Syntax	! U1 setvar "comm.parity" "N"
	Result	Printer will change its comm. port's parity to None

comm.baud

type: getvar; setvar

This parameter refers to the printer's comm (cable) baud rate.



Note: Once the printer's comm. port parameters have been changed, the host terminal must also be configured to match the new printer settings before the host can communicate again

getvar result	Printer baud rate.	
Example	Description	Get printer's comm. port baud rate
	Syntax	! U1 getvar "comm.baud"
	Result	"19200"
setvar choices	"9600", "19200", "38400", "57600", "115200"	
	Default	"19200"
Example	Description	Set printer's comm. baud rate to 19200 BPS.
	Syntax	! U1 setvar "comm.baud" "19200"
	Result	Printer will change its comm. baud rate to 19200 BPS

comm.stop_bits

type: getvar; setvar

This parameter refers to the printer's comm. port stop bits.



Note: Once the printer's comm. port parameters have been changed, the host terminal must also be configured to match the new printer settings before the host can communicate again

getvar result	Stop bits.	
Example	Description	Get printer's comm. port stop bits
	Syntax	! U1 getvar "comm.stop_bits"
	Result	"1"
setvar choices	"1", "2"	
	Default	"1"
Example	Description	Set printer's comm. port stop bits to 1
	Syntax	! U1 setvar "comm.stop_bits" "1"
	Result	Printer will configure the comm.port for 1 stop bit

Device Parameters

device.alarm.paper

type: getvar, setvar (persistent setting)

This parameter refers to audible notification alarm for when printer detects “paper out” or “head latch open” condition. When device.alarm.paper is enabled (“on”), and if the printer hardware supports audible alarm, the printer will produce an audible notification when it detects “paper out” or “head latch open” condition.

getvar result	“on”, “off”	
Example	Description	This example retrieves the current alarm setting for paper out/head latch open conditions.
	Syntax	! U1 getvar “device.alarm.paper”
	Result	“off”
setvar choices	“on”, “off”	
	Default	“on”
Example	Description	This example disables notification alarm for paper out/head latch open conditions.
	Syntax	! U1 setvar “device.alarm.paper” “off”
	Result	“off”

device.alarm.command

type: getvar, setvar (persistent setting)

This parameter refers to the audible notification alarm that is produced by the printer when the printer receives the BEEP command or the Bell character. When device.alarm.command is enabled ("on"), and if the printer hardware supports audible alarm, the printer will produce an audible notification when it receives the BEEP command or the Bell character.

getvar result	"on", "off"	
Example	Description	This example retrieves the current alarm setting for user-generated alarm commands.
	Syntax	! U1 getvar "device.alarm.command"
	Result	"off"
setvar choices	"on", "off"	
	Default	"on"
Example	Description	This example disables notification alarm for user-generated alarm commands.
	Syntax	! U1 setvar "device.alarm.command" "off"
	Result	"off"

device.friendly_name

type: getvar;setvar

This parameter refers to the device's friendly name. The printer will report its serial number as the friendly name if a name has not yet been assigned.

getvar result	The friendly name assigned to the printer.	
Example	Description	Retrieve the current friendly name of the printer
	Syntax	! U1 getvar"device.friendly_name"
	Result	Printer will respond with the current friendly name, for example: "XXQT02-02-0555"
setvar choices	A string of up to 16 characters enclosed in double quotes	
	Default	Printer's serial number enclosed in double quotes
Example	Description	Assign "station 2" to the printer as its friendly name
	Syntax	! U1 setvar "device.friendly_name" "station 2"
	Result	The printer friendly name will be changed to "station 2"

device.languages

type: getvar; setvar



NOTE: This command is only valid with RW, QL Plus and MZ series (SH3 based) printers.

This parameter sets the programming language recognized by the printer. (Refer to the programming languages topics in Section 1 for more information) Please note that CPCL is ALWAYS active and that line_print is ONLY active when selected.

getvar result	The programming language currently used by the printer	
Example	Description	Retrieve the current programming language used by the printer
	Syntax	! U1 getvar "device.languages"
	Result	Printer will respond with the current language in use, for example:"ZPL"
setvar choices	EPL, ZPL, epl_zpl, opl', line_print	
	Default	line_print
Example	Description	Set language to ZPL
	Syntax	! U1 setvar "device.languages" "ZPL"
	Result	programming language set to ZPL



NOTE 1: Selecting "opl" (O'Neil emulation) will disable most other languages: e.g. CPCL line print and ESC * modes, ZPL, EPL, etc

device.reset

type: do

Instructs the printer to perform a soft reset.

do parameters	None	
Example	Description	Perform a soft reset
	Syntax	! U1 do "device.reset" ""
	Result	The printer will perform a soft reset

device.restore_defaults

type: do

Instructs the printer to restore factory default values for the specified category of parameters.

do parameters	Printer parameter category: "wlan", "ip", "display", or "power"	
Example	Description	Restore the network card's wlan parameters to their default values
	Syntax	! U1 do "device.restore_defaults" "wlan"
	Result	Printer will restore "wlan" parameters to their factory default values (eSSID ="247", etc)

device.save_2key

type: getvar, setvar (persistent setting)

This parameter refers to saving the text of the printed two-key diagnostics to Flash memory. When turned on, the two-key diagnostics report (whenever printed) will also be simultaneously saved to Flash memory 2KEY.TEXT file.

getvar result	"on", "off"	
Example	Description	This example retrieves the current save_2key setting
	Syntax	! U1 getvar "device.save_2key"
	Result	""
setvar choices	"on", "off"	
	Default	"on"
Example	Description	This example sets device.save_2key to "on"
	Syntax	! U1 setvar "device.save_2key" "on"
	Result	"on"

device.user_p1

type: getvar; setvar

This parameter saves and retrieves user-specified values.

getvar result	The user-specified parameters.	
Example	Description	Saves and retrieve the user-specified parameters.
	Syntax	! U1 getvar "device.user_p1"
	Result	" "
setvar choices	Values: Alphanumeric text string (1-20)	
	Default	" "
Example	Description	Instructs the printer to set user parameters.
	Syntax	! U1 setvar "device.user_p1" "value"

device.user_p2

type: getvar; setvar

This parameter saves and retrieves user-specified values.

getvar result	The user-specified parameters.	
Example	Description	Saves and retrieve the user-specified parameters.
	Syntax	! U1 getvar "device.user_p2"
	Result	" "
setvar choices	Values: Alphanumeric text string (1-20)	
	Default	" "
Example	Description	Instructs the printer to set user parameters.
	Syntax	! U1 setvar "device.user_p2" "value"

device.uptime

type: getvar

This parameter identifies the amount of time the printer has been powered on. The string format is: xx days, xx hours, xx minutes, and xx seconds.

getvar result	The time printer has been powered on.	
Example	Description	Retrieves the amount of time the printer has been powered on. It responds in the following format (days, hours, minutes, and seconds).
	Syntax	! U1 getvar "device.uptime"
	Result	Time printer has been powered on.

device.frontpanel.line1

type: getvar; setvar

This parameter overrides the content that is shown on the first line of the front panel when the printer is showing the idle display.

getvar result	The content on line one of the front panel.	
Example	Description	Retrieves the content that shows on line one of the front panel.
	Syntax	! U1 getvar "device.frontpanel.line1"
	Result	" "
setvar choices	Values: The maximum amount of alphanumeric ASCII characters available for line one on the printer's front panel.	
	Default	" "
Example	Description	Instructs the printer to set the content that shows on line one of the front panel.
	Syntax	! U1 setvar "device.frontpanel.line1" "value"

device.frontpanel.line2

type: getvar; setvar

This parameter overrides the content that is shown on the second line of the front panel when the printer is showing the idle display.

getvar result	The content on line two of the front panel.	
Example	Description	Retrieves the content that shows on line two of the front panel.
	Syntax	! U1 getvar "device.frontpanel.line2"
	Result	" "
setvar choices	Values: The maximum amount of alphanumeric ASCII characters available for line two on the printer's front panel.	
	Default	" "
Example	Description	Instructs the printer to set the content that shows on line two of the front panel.
	Syntax	! U1 setvar "device.frontpanel.line2" "value"

device.frontpanel.xml

type: getvar

This parameter retrieves the current content of the front panel in an XML format.

getvar result	The file that determines the representation of the front panel.	
Example	Description	Retrieves the file that determines the representation of the front panel.
	Syntax	! U1 getvar "device.frontpanel.xml"
	Result	The file that determines the representation of the front panel.

device.frontpanel.key_press

type: setvar

This parameter retrieves the current content of the front panel in an XML format.

setvar result	The button on the front panel to be pressed.	
Example	Description	Instructs the printer to press a button on the front panel.
	Syntax	! U1 setvar "device.frontpanel.key_press" "value"
	Result	The button on the front panel to be pressed.

device.unique_id

type: getvar

This parameter retrieves the printer identifier.

getvar result	The printer's unique ID.	
Example	Description	Retrieves the established printer identifier.
	Syntax	! U1 setvar "device.unique_id"
	Result	The printer's unique ID.

device.pnp_option

type: getvar; setvar

This parameter defines the type of Plug and Play (PNP) response that is sent by the printer after the printer is started. The printer must be restarted for a new PNP string to be reported.

getvar result	The PNP option setting.	
Example	Description	Retrieves the PNP option setting.
	Syntax	! U1 getvar "device.pnp_option"
	Result	"zpl"
setvar choices	Values: "epi" = Eltron Programming Language; "zpl" = Zebra Programming Language	
	Default	"zpl "
Example	Description	Instructs the printer to select the desired PNP response option.
	Syntax	! U1 setvar "device.pnp_option" "zpl"

device.download_connection_timeout

type: getvar; setvar

This parameter instructs the printer to abort a firmware download if the printer fails to receive any download data in the set amount of seconds. If the set amount of seconds is exceeded, the download will be aborted and the printer automatically restarts. This command prevents the printer from being locked in the downloading state if the communications host is interrupted.

getvar result	The connection time out value (in seconds).	
Example	Description	Retrieves the connection time out value (in seconds).
	Syntax	! U1 getvar "device.download_connection_timeout"
	Result	" 0"
setvar choices	Values: "0" through "65535"	
	Default	"0" ("0" disables this feature)
Example	Description	Instructs the printer to abort a firmware download if the printer fails to receive any download data in the set amount of seconds.
	Syntax	! U1 setvar "device.download_connection_timeout" "0"

Display Parameters

display.contrast

type: getvar; setvar

This parameter refers to the contrast level on the printer's display. Valid only on printers with a display installed.

getvar result	Display's contrast level, "0" through "14"	
Example	Description	Get the current display contrast level
	Syntax	! U1 getvar "display.contrast"
	Result	"7"
setvar choices	"0" through "14", "up", "down"	
	Default	"7"
Example	Description	Set display contrast level to 8
	Syntax	! U1 setvar "display.contrast" "8"
	Result	Printer will set the display contrast to 8

display.backlight

type: getvar; setvar

This parameter refers to the printer display backlight. Valid only on printers with a display installed.

getvar result	State of backlight control, "on" or "off"	
Example	Description	Get current backlight setting
	Syntax	! U1 getvar "display.backlight"
	Result	"on"
setvar choices	"on", "off"	
	Default	"on"
Example	Description	Turn backlight off
	Syntax	! U1 setvar "display.backlight" "off"
	Result	Printer will turn display backlight off

display.text

type: getvar; setvar

This parameter refers to the display's text content. The display text size is four lines of text, 20 characters per line.

getvar result	The text currently displayed on the printer.	
Example	Description	Get the current text displayed
	Syntax	! U1 getvar "display.text"
	Result	"Zebra QL 320 "
setvar choices	Text to be displayed. The tab character will move text position to next line. Specifying more than 80 characters will result in text to wrap.	
	Default	"Zebra" followed by printer model e.g. "QL 320"
Example	Description	Change the displayed text
	Syntax	! U1 setvar "display.text" "Please pick up the printed SKU list and bring to customer service desk."
	Result	Printer will display: Please pick up the printed SKU list and bring to customer service desk.

File Parameters

file.delete

type: do

This command can be used to delete printer files.



Please exercise caution when deleting files and insure factory installed files are not deleted.

do parameters	Name of file to be deleted	
Example	Description	This command instructs the printer to delete a specified file
	Syntax	! U1 do "file.delete" "abcd.cpf"
	Result	Deletes abcd.cpf from the printer

file.dir

type: getvar

This parameter refers to the printer file directory.

getvar result	Printer directory.	
Example	Description	Get printer file directory
	Syntax	! U1 getvar "file.dir"
	Result	Directory INDEX .WML 631 CONFIG .SYS 19 1793000 Bytes Free "ok"

file.print

type: do

This command can be used to print the contents of printer files.

do parameters	File name.	
Example	Description	This command instructs the printer to print the contents of the file called config.sys
	Syntax	! U1 do "file.print" "config.sys"
	Result	Contents of the config.sys file will be printed

file.rename

type: do

This command can be used to rename printer files.

do parameters	Original filename and new filename	
Example	Description	Rename file abc.cpf to efg.cpf
	Syntax	! U1 do "file.rename" "abc.cpf efg.cpf"
	Result	File abc.cpf will be renamed to efg.cpf

file.run

type: do

This command can be used to execute a batch file or label file stored in the printer's file system.

do parameters	File to execute	
Example	Description	This command instructs the printer to execute the file called ftn.bat
	Syntax	! U1 do "file.run" "ftn.bat"
	Result	The file ftn.bat will be executed

file.type

type: do

This command can be used to retrieve contents of a file.

do parameters	Filename to display contents	
Example	Description	This command instructs the printer to respond with the contents of the file called config.sys
	Syntax	! U1 do "file.type" "config.sys"
	Result	! U BEEP 2 PRINT

Printer Mechanism Parameters

head.latch

type: getvar

This parameter refers to the status of the printer head latch. The head latch must be closed for printing.

getvar result	"ok", "open"	
Example	Description	Get current status of printhead latch
	Syntax	! U1 getvar "head.latch"
	Result	"ok"

head.latch_closed_feed

type: getvar; setvar

This parameter controls the feed action taken when head latch is closed. Printer will feed paper after the head latch is closed if this parameter is set to 'on' or not feed if this parameter is set to 'off'.

getvar result	"off"	
Example	Description	Retrieves printer's current latch_closed_feed mode.
	Syntax	! U1 getvar "head.latch_closed_feed"
	Result	"off"
setvar choices	"on", "off"	
	Default	"off" for EZ320; "on" for all other printers
Example	Description	Configures printer to not feed paper after the head latch is closed.
	Syntax	! U1 setvar "head.latch_closed_feed" "off"

media.width_sense.enable

type: getvar; setvar

This parameter turns the Media Width Sensing option “on” or “off”. This parameter only applies to printers equipped with the Media Width Sensing option, others will ignore this command.

getvar result	“on”, “off”	
Example	Description	Get current status of media width sensing option
	Syntax	! U1 getvar “media.width_sense.enable”
	Result	“on”
setvar choices	on,off	
	Default	off
Example	Description	Change the media width sense enable status
	Syntax	! U1 setvar “media.width_sense.enable” “on”
	Result	Media width sensing is enabled

media.width_sense.in_mm

type: getvar

This parameter returns the current media width installed in the printer measured in millimeters. The “media.width_sense.enable” parameter must be set to “on”.



Note: The media width sensing mechanism has a tolerance of ± 2.5 mm

getvar result	Media width as measured in millimeters	
Example	Description	Get width of installed media
	Syntax	! U1 getvar “media.width_sense.in_mm”
	Result	104.0

media.width_sense.in_cm

type: getvar

This parameter returns the current media width installed in the printer measured in centimeters. The “media.width_sense.enable” parameter must be set to “on”.



Note: The media width sensing mechanism has a tolerance of $\pm .25$ cm

getvar result	Media width as measured in centimeters	
Example	Description	Get width of installed media
	Syntax	! U1 getvar “media.width_sense.in_cm”
	Result	10.4

media.width_sense.in_dots

type: getvar

This parameter returns the current media width installed in the printer measured in dots. The “media.width_sense.enable” parameter must be set to “on”.



Note: The media width sensing mechanism has a tolerance of ± 21 dots (at the standard resolution of 200 d.p.i.)

getvar result	Media width as measured in dots	
Example	Description	Get width of installed media
	Syntax	! U1 getvar “media.width_sense.in_dots”
	Result	832

media.width_sense.in_inches

type: getvar

This parameter returns the current media width installed in the printer measured in inches. The “media.width_sense.enable” parameter must be set to “on”.



Note: The media width sensing mechanism has a tolerance of $\pm .1$ ”.

getvar result	Media width as measured in inches	
Example	Description	Get width of installed media
	Syntax	! U1 getvar
		“media.width_sense.in_inches”
	Result	4.098

Input Parameter

input.capture

type: getvar;setvar

This parameter allows capturing input data in diagnostics mode. Input capture has three modes: “print”, “run”, and “off”. The “print” and “run” modes can be used to examine data received by the printer.

When in “print” mode the printer will save incoming data to files named “in???.dmp”, where ??? is a number between 001 to 999. The printer will then print the text and hexadecimal representation of data bytes received.

When in “run” mode the printer will save captured incoming data to files as above, but will otherwise run the incoming data/commands normally.

The capture files should be deleted from printer memory after retrieving them. Leaving the printer in “print” or “run” mode and not deleting the capture files will reduce the printer’s available flash memory.

The “off” mode is the printer’s normal operating mode. Cycling power will also return the printer to “off” mode.

input capture parameter (continued)

getvar result	The current input capture mode.	
Example	Description	Get current status of input capture mode
	Syntax	! U1 getvar "input.capture"
	Result	"off"
setvar choices	"print", "run", "off"	
Default	"off"	
Example 1	Description	Place the printer in "print" input capture mode
	Syntax	! U1 setvar "input.capture" "print"
	Result	Printer will enter diagnostics capture mode. Any data received by the printer will be saved to files named "in???.dmp". The data's text & hexadecimal representation will be printed.
Example 2	Description	Place the printer in "run" input capture mode.
	Syntax	! U1 setvar "input.capture" "run"
	Result	Printer will enter diagnostics capture mode. Any data received by the printer will be saved to files named in "???.dmp" prior to being processed by the printer.

media.speed

type: getvar; setvar

This parameter specifies media print speed in inches per second (ips).

getvar result	Media print speed.	
Example	Description	Retrieve the currently set media print speed.
	Syntax	! U1 getvar "media.speed"
	Result	"2"
setvar choices	Values: 2-12 ips; "up" = increments the printer speed by one unit; "down" = decrements the speed by one unit	
	Default: "2"	
Example	Description	Instructs the printer to set the media print speed.
	Syntax	! U1 setvar "media.speed" "2"
	Result	Printer will switch to bar sense mode

Example: This setvar example shows the value set to "2"

! U1 setvar "media.speed" "2"

When the setvar value is set to "2", the getvar result is "2"

Example: This setvar example shows the value set to "up"

! U1 setvar "media.speed" "up"

If the current print speed is 2; When the setvar value is set to "up" the getvar result is "3"

Example: This setvar example shows the value set to "down"

! U1 setvar "media.speed" "down"

If the current print speed is 2: When the setvar value is set to "down", the getvar result is "1"

Media Parameters

media.feed_length

type: getvar; setvar

This parameter controls the length of paper, expressed in dots, the printer advances when it receives the form-feed character or the FORM command, or when the form-feed key is pressed. Media feed will stop when complete feed length is advanced or when printer detects the top-of-form mark/gap, whichever occurs first.

getvar result	"2030"	
Example	Description	Retrieves printer's current feed length.
	Syntax	! U1 getvar "media.feed_length"
	Result	"2030"
setvar choices	"25"- "65535"	
	Default	"1523" in 'label' mode (i.e. media.type set to "label") and "203" in 'journal' mode (i.e. media.type set to "journal") for MZ and EZ320 printers; "2030" for all other printers
Example	Description	Sets the printer feed length to 203 dot-lines.
	Syntax	! U1 setvar "media.feed_length" "203"

media.sense_mode

type: getvar; setvar

This parameter refers to media sense mode.

getvar result	Media sense mode.	
Example	Description	Get current media sense mode
	Syntax	! U1 getvar "media.sense_mode"
	Result	"bar"
setvar choices	"bar", "gap"	
	Default	"bar"
Example	Description	Set media sense mode to bar (black index mark)
	Syntax	! U1 setvar "media.sense_mode" "bar"
	Result	Printer will switch to bar sense mode

media.status

type: getvar

This parameter refers to the paper status.

getvar result	"ok", "out"	
Example	Description	Get current media status
	Syntax	! U1 getvar "media.status"
	Result	"ok"

media.tof

type: getvar; setvar

This parameter refers to the print's top-of-form setting.

The TOF setting is used to program the distance between the top-of-form and the end of the next (positive value) or previous (negative value) eye-sense mark or gap. The eye-sense mark or gap that is closer to the top-of form should be used for top-of-form setting. Refer to the SET-TOF command in Section 9 for more detailed information on the TOF setting.

getvar result	Current top-of-form setting.	
Example	Description	Get current top-of-form setting
	Syntax	! U1 getvar "media.tof"
	Result	"0"
setvar choices	"0" through "119"	
	Default	"119"
Example	Description	This parameter sets the printer's top of form
	Syntax	! U1 setvar "media.tof" "119"
	Result	Printer will set top-of-form to 119

media.type

type: getvar; setvar

This parameter refers to the media type that is being used.



By default, the printer will check for correct media alignment if it encounters the eye-sense mark (black horizontal bars on back of media) during a print cycle (LABEL mode). The JOURNAL command can be used to disable this automatic correction feature. The user's program is responsible for checking and assuring presence of paper when the printer is set to JOURNAL mode. Please refer to the status inquiry command (Get Extended Printer Status) for details on checking for out-of-paper condition.

getvar result	Current media type.	
Example	Description	Get current media type
	Syntax	! U1 getvar "media.type"
	Result	"label"
setvar choices	"label", "journal"	
	Default	"label"
Example	Description	Set media type to journal
	Syntax	! U1 setvar "media.type" "journal"
	Result	Printer will set media type to journal

Memory Parameters

memory.flash_size

type: getvar

This parameter refers to the total amount of Flash memory.

getvar result	Flash memory size.	
Example	Description	Get Flash memory size
	Syntax	! U1 getvar "memory.flash_size"
	Result	"2097151 Bytes"

memory.flash_free

type: getvar

This parameter refers to the amount of available Flash memory.

getvar result	Flash memory available.	
Example	Description	Get current available Flash memory
	Syntax	! U1 getvar "memory.flash_free"
	Result	"1345000 Bytes Free"

memory.ram_free

type: getvar

This parameter refers to the amount of available RAM.

getvar result	Available RAM.	
Example	Description	Get current available RAM
	Syntax	! U1 getvar "memory.ram_free"
	Result	"456000 Bytes Free"

memory.ram_size

type: getvar

This parameter refers to the total amount of Random Access Memory.

getvar result	RAM size.	
Example	Description	Get RAM size
	Syntax	! U1 getvar "memory.ram_size"
	Result	"2097151 Bytes"

Network Management Parameters

Wavelink Avalanche

Wavelink Avalanche is a software system designed to manage mobile network devices. The Avalanche system consists of three core components:

The “Avalanche Administrative Console” is the central user interface through which the administrator issues commands to the Agents. The console allows the administrator to view all known devices, identify device settings and software loads, configure profiles, schedule updates, and immediately identify the success or failure of updates to each device.

The “Avalanche Agent” stores the configuration settings and software to be deployed, along with the rules used to assign these settings to the mobile devices under Avalanche management. The Agent can run centrally and communicate across a WAN, or multiple agents can be deployed to locations throughout the network.

The “Avalanche Enabler” resides on the mobile device to be managed. Enablers are operating system and, sometimes, device specific. The Enabler communicates with the Avalanche Agent over the network or serial connection and updates are performed as necessary.

Zebra’s implementation of the “Enabler” has complete emulation of Avalanche Enabler protocol, including the following:

Automatic Agent Discovery

In the event that an Agent’s address is not explicitly provided, the mobile device will send out broadcast requests, searching for an available Agent. If an available Agent responds, the Agent’s information is stored and connection procedures begin.

Agent Login And Authentication

In order to facilitate a secure connection, Avalanche Agents and Enablers each offer authentication procedures to validate the identity of the other party in the connection.

Operational Properties Exchange.

After successful connection and authentication, the Agent requests an update of the mobile device’s operating parameters, a set of static parameters that the Agent is aware of. These parameters are mainly network oriented (ESSID, WEP, etc).

continued

Package Synchronization (Update/Delete).

The Avalanche Agent and Enabler both use the concept of a “package” to transfer updates down to the mobile device. Each package is a collection of files that the mobile unit needs to handle. Each package can be either stored or executed. See below for Zebra printer specific applications of each file action.

File Storage

When a file is sent to the printer as part of an update package and is flagged for storage, it is simply written to the printer’s internal file system. No other processing is involved.

For example, if the image file “flower.pcx” is flagged for storage, the image file is written to the file system and is available for use to be printed on a label.

File Execution

When a file is sent to the printer as part of an update package and is flagged for execution, the contents of that file are fed into the printer’s command interpreter. This functionality can be used to modify any and all of the printer’s internal parameters, execute a CPCL “Set/Get/Do” command, or remotely print labels.

Ping

A user can ping Avalanche enabled mobile devices from the Avalanche Administrative Console.

Update Now

An Administrative Console user can force a device to immediately perform an update.

Text Messaging

From Administrative Console a user can create and send text messages to Avalanche enabled mobile printers. The message will show up immediately on the printer’s LCD, and/or print out. In addition the printer can be set to beep upon receiving a message. Print, display and beep options are configurable by the user.

You must have the latest version of Avalanche installed on your network for the following parameters to work. Download the most recent Wavelink Avalanche Agent & Console Manager setup executable from the Wavelink Web site at <http://www.wavelink.com> and install both the Avalanche Agent and Console

continued

Manager to a networked PC.

When setup is complete, start the Agent, and open the Console Manager GUI by double clicking the appropriate icons.

Connect the Console Manager to the Avalanche Agent. (The Agent IP should be the local host IP, 127.0.0.1).

Once connected to the local Agent, expand the tree view on the left and delete all entries under the Serial Ports section by right clicking on each and selecting Delete.

Printer Configuration for use with Wavelink Avalanche

In order for the mobile printers to successfully become part of an existing Avalanche system, that system must first be set up and configured properly. It is recommended you refer to the latest version of the Network Configuration Guide (available on-line at www.zebra.com) for more information on configuring your system for use with Avalanche.

Troubleshooting Avalanche Issues

To troubleshoot unit use the “netmanage” GETVAR parameters (detailed below) as troubleshooting tools:

“netmanage.status_code”
 “netmanage.state_code”
 “netmanage.error_code”

Status Codes:

To obtain the device’s status code use:

!U1 getvar “netmanage.status_code”

One of the following status codes will be returned:

0	OK
1	Error, check State and Error codes.

State Codes (What is the printer doing?)

To obtain the device's state code use:

! U1 getvar "netmanage.state_code"

One of the following state codes will be returned:

0	Printer Idle
1	Agent Discovery
2	Agent Connection
3	Processing Messages
4	Agent Disconnection

Error Codes:

To obtain the device's error status use:

! U1 getvar "netmanage.error_code"

One of the following error codes will be returned:

0	No Error	12	Unknown Encryption Type used.
1	No Agent Found	13	Unknown Command Received.
2	Send Data failed during Discovery.	14	Device Properties Update failed.
3	Received Data failed during Discovery.	15	User Authentication failed.
4	Agent Authentication failed.	16	Package Update failed.
5	Agent Connection failed.	17	No license available for device.
6	Socket Connect failed.	18	Device out of resources.
7	Device Registration failed.	19	Device needs data.
8	Message Send failed.	20	Device needs to be synced.
9	Message Received failed.	21	Unknown State reached
10	Message too large to process.		
11	Data Timeout.		

Setting Avalanche Parameters with CPCL

You can configure your printer for Wavelink Avalanche using the following “get, set, do” parameters in the CPCL programming language with the following commands:

netmanage.type

type: getvar; setvar

This parameter allows you to set the Network Management type for your printer. Using the SETVAR command to select “avalanche” allows you to use the following “netmanage.avalanche” commands.

getvar result	current Network Management setting	
Example	Description	Get current Network Management setting
	Syntax	! U1 GETVAR “netmanage.type”
setvar options	“none”, “avalanche”	
	Default	“none”
Example	Description	Sets the Network Management type for your printer
	syntax	! U1 SETVAR “netmanage.type” “avalanche”
	Result	Network Management type set to “avalanche”

netmanage.avalanche.agent_addr

type: getvar; setvar

This parameter obtains or changes the Network Management agent IP address.

getvar result	obtains current Network Management IP address	
Example	Description	Get current Network Management IP address
	Syntax	! U1 GETVAR “netmanage.avalanche.agent_addr”
setvar	Default	“0.0.0.0”
Example	Description	Sets the Network Management Agent IP address
	Syntax	! U1 SETVAR “netmanage.avalanche.agent_addr” “10.14.2.200”
	Result	Network Management agent IP address is set to “10.14.2.200”

netmanage.avalanche.available_agent

type: getvar

This parameter gets Network Management current IP address of the remote agent.

getvar result	Returns the current IP address of the remote agent found during the Agent Discovery Phase.	
Example	Description	Obtains the IP address of the remote agent found during the Agent Discovery Phase
	Syntax	! U1 GETVAR "netmanage.avalanche.available_agent"
	Result	"1.2.3.4"

netmanage.avalanche.available_port

type: getvar

This parameter gets Network Management current IP address of the remote agent.

getvar result	Returns the Remote Agent's TCP connection port.	
Example	Description	Obtains the IP address of the remote agent found during the Agent Discovery Phase
	Syntax	! U1 GETVAR "netmanage.avalanche.available_port"
	Result	"1777"

netmanage.avalanche.encryption_type

type: getvar ; setvar

This parameter sets and gets Network Management Encryption type to be used.

getvar result	Returns the current Network Management Encryption type stored in the printer.	
Example	Description	This example retrieves the device's Network Management Encryption type
	Syntax	! U1 GETVAR "netmanage.avalanche.encryption_type"
	Result	"0"
setvar choices	0 – None; 1 – Limburger; 2 – AES128 (Not Supported Yet)	
	Default	"0".
Example	Description	This example sets the device's Network Management Encryption type to Limburger
	Syntax	! U1 SETVAR "netmanage.avalanche.encryption_type" "1"
	Result	None

netmanage.avalanche.interval

type: getvar; setvar

This parameter obtains or sets the Network Management Update Interval time stored in the printer. Time is measured in milliseconds. (e.g. a setting of "2000" equals 2 seconds)

getvar result	gets Network Management Update Interval	
Example	Syntax	! U1 GETVAR "netmanage.avalanche.interval"
setvar	Default	"0"
Example	Description	Sets the Network Management Update Interval in msec.
	Syntax	! U1 SETVAR "netmanage.avalanche.interval" "2000"
	Result	Network Management Update Interval is set to 2 seconds

netmanage.avalanche.interval_update

type: getvar; setvar

This parameter sets and gets Network Management Interval Update setting.

getvar result	Returns the current Network Management Interval Update setting stored in the printer.	
Example	Description	This example retrieves the device's Network Management Interval Update setting
	Syntax	! U1 GETVAR "netmanage.avalanche.interval_update"
	Result	"off"
setvar choices	"on", "off"	
	Default	"off".
Example	Description	This example sets the device's Network Management Interval Update setting to "on"
	Syntax	! U1 SETVAR "netmanage.avalanche.interval_update" "on"
	Result	None

netmanage.avalanche.model_name

type: getvar; setvar

Obtains or sets the current Network Management Device Model Name stored in the printer.

getvar result	Gets current Network Management Device model name.	
Example	Syntax	! U1 GETVAR "netmanage.avalanche.model_name"
setvar options	"QL220"; "QL320"; "QL420"; "RW220"; "RW420"; "MZ220"; "MZ320"	
Example	Description	Sets the Network Management Device model name.
	Syntax	! U1 SETVAR "netmanage.avalanche.model_name" "QL320"
	Result	Network Management Device model name set to "QL320"

netmanage.avalanche.set_property

type: setvar

This parameter sets Network Management Device Side Property (custom).

setvar result	Sets the Network Management Device side property	
Example	Syntax	! U1 SETVAR "netmanage.avalanche.set_property" "Zebra.Location=Warwick"
	Result	Device side property set to "Zebra.Location=Warwick"

netmanage.avalanche.startup_update

type: getvar; setvar

This parameter sets and gets Network Management Start Up Update setting.

getvar result	Returns the current Network Management Start Up Update setting stored in the printer.	
Example	Description	This example retrieves the device's Network Management Start Up Update setting.
	Syntax	! U1 GETVAR "netmanage.avalanche.startup_update"
	Result	"off"
setvar choices	"on", "off"	
	Default	"off".
Example	Description	This example sets the device's Network Management Start Up Update setting to "on"
	Syntax	! U1 SETVAR "netmanage.avalanche.startup_update" "on"
	Result	None

netmanage.avalanche.tcp_connection_timeout

type: getvar; setvar

This parameter sets and gets Network Management Timeout used for establishing a TCP connection to an Agent.

getvar result	Returns the current Network Management Timeout used for establishing a TCP connection to an Agent.	
Example	Description	This example retrieves the device's Network Management Timeout used for establishing a TCP connection to an Agent
	Syntax	! U1 GETVAR "netmanage.avalanche.tcp_connection_timeout"
	Result	"0"
setvar choices	0-any time interval	
	Default	"0"
Example	Description	This example sets the device's Network Management TCP Connection timeout to "2000"
	Syntax	! U1 SETVAR "netmanage.avalanche.tcp_connection_timeout" "2000"
	Result	None

netmanage.avalanche.text_msg.beep

type: getvar; setvar

This parameter sets and gets Network Management Text Message Beep enable setting.

getvar result	Returns the current Network Management Text Message Beep enable setting.	
Example	Description	This example retrieves the device's Network Management Text Message Beep enable setting
	Syntax	! U1 GETVAR "netmanage.avalanche.text_msg.beep"
	Result	"off"
setvar choices	"on", "off"	
	Default	"off"
Example	Description	This example sets the device's Text Message Beep enable setting
	Syntax	! U1 SETVAR "netmanage.avalanche.text_msg.beep" "on"
	Result	None

netmanage.avalanche.text_msg.display

type: getvar; setvar

This parameter sets and gets Network Management Text Message Display enable setting.

getvar result	Returns the current Network Management Text Message Display enable setting.	
Example	Description	This example retrieves the device's Network Management Text Message Display enable setting
	Syntax	! U1 GETVAR "netmanage.avalanche.text_msg.display"
	Result	"off"
setvar choices	"on", "off"	
	Default	"off"
Example	Description	This example sets the device's Text Message Display enable setting
	Syntax	! U1 SETVAR "netmanage.avalanche.text_msg.display" "on"
	Result	None

netmanage.avalanche.text_msg.print

type: getvar; setvar

This parameter sets and gets Network Management Text Message Print enable setting

getvar result	Returns the current Network Management Text Message Print enable setting.	
Example	Description	This example retrieves the device's Network Management Text Message Print enable setting
	Syntax	! U1 GETVAR "netmanage.avalanche.text_msg.print"
	Result	"off"
setvar choices	"on", "off"	
	Default	"off"
Example	Description	This example sets the device's Text Message Print enable setting
	Syntax	! U1 SETVAR "netmanage.avalanche.text_msg.print" "on"
	Result	None

netmanage.avalanche.udp_timeout

type: getvar; setvar

This parameter obtains or sets the device's Network Management UDP timeout. Time is set in milliseconds.

getvar result	Gets current Network Management UDP time-out setting	
Example	Syntax	! U1 GETVAR "netmanage.avalanche.udp_timeout"
setvar result	Sets Network Management UDP time-out in msec.	
Example	Syntax	! U1 SETVAR "netmanage.avalanche.udp_timeout" "200"
	Result	UDP timeout set to .2 sec.

Odometer Parameters

odometer.label_dot_length

type: getvar

Reports the length of the last label printed (or fed), in dots. The label dot-length is set to zero when the printer is turned on. This parameter is updated every time the printer feeds or prints a label and detects a marker, either gap or bar, while printing or feeding.

getvar result	This will return the length of the last label printed (in dots)	
Example	Description	This command instructs the printer to respond with the length of the last label printed
	Syntax	! U1 getvar "odometer.label_dot_length"
	Result	"416"

odometer.latch_open_count

type: getvar; setvar

This parameter refers to the number of times the printer's latch has been opened. The latch open count can be set to an initial value and incremented every time the latch is opened. Typically the latch is opened each time a roll of media is loaded.

getvar result	This will return the number of times the printer's latch has been opened	
Example	Description	This command instructs the printer to respond with the latch_ open count
	Syntax	! U1 getvar "odometer.latch_open_count"
	Result	"100"
setvar choices	"0" - "65535"	
	Default	"0"
Example	Description	This command instructs the printer to set the latch_ open count to "0"
	Syntax	! U1 setvar "odometer.latch_open_count" "0"
	Result	The user latch open count odometer will be set to 0

odometer.media_marker_count

type: getvar; setvar

This parameter refers to the media marker count. The media marker counter keeps track of how many labels have passed through the printer, (wether or not they have been printed) by counting the bar sense marks on the back of the media. (Contrast this to the “odometer.user_label_count” parameter below.) The media marker count can be set to an initial value and is incremented every time a label is printed or fed.

getvar result	This will return the number of bar sense marks that have passed through the printer	
Example	Description	This command instructs the printer to respond with the media marker count
	Syntax	! U1 getvar “odometer.media_marker_count”
	Result	“105”
setvar choices	“0” - “65535”	
	Default	“0”
Example	Description	This command instructs the printer to set the media marker count to 0
	Syntax	! U1 setvar “odometer.media_marker_count” “0”
	Result	The media marker count odometer will be set to 0

odometer.user_label_count

type: getvar; setvar

This parameter refers to the user label count. The user label counter keeps track of how many labels have been printed since the last re-set of the counter. The user's label count can be set to an initial value and incremented every time a label is printed.

Note the difference from this command to the "odometer.media_marker_count" parameter above.

getvar result	This will return the number of labels printed by the printer	
Example	Description	This command instructs the printer to respond with the user label count
	Syntax	! U1 getvar "odometer.user_label_count"
	Result	"100"
setvar choices	"0" - "65000"	
	Default	"0"
Example	Description	This command instructs the printer to set the user label count to 0
	Syntax	! U1 setvar "odometer.user_label_count" "0"
	Result	The user label count odometer will be set to 0

odometer.total_print_length

type: getvar

This parameter tracks the total length of media that printed over the life of the printer.

getvar result	This will return the total length of media printed over the life of the printer	
Example	Description	Gets the value of the total length of media that printed over the life of the printer.
	Syntax	! U1 getvar "odometer.total_print_length"

odometer.media_marker_count1

type: getvar; setvar

This parameter refers to the value of the first (count1) user resettable counter. The user resettable counters track how much media has passed through the printer in both inches and centimeters.

getvar result	This will return the current value of the first user resettable counter.	
Example	Description	Gets the current value of the first (count1) user resettable counter in both inches and centimeters.
	Syntax	! U1 getvar "odometer.media_marker_count1"
	Result	"0"
setvar choices	Values: "0" = reset the counter	
	Default	Must be an accepted value or it is ignored
Example	Description	Resets the first user resettable counter.
	Syntax	! U1 setvar "odometer.media_marker_count1" "0"

odometer.media_marker_count2

type: getvar; setvar

This parameter refers to the value of the second (count2) user resettable counter. The user resettable counters track how much media has passed through the printer in both inches and centimeters.

getvar result	This will return the current value of the second user resettable counter.	
Example	Description	Gets the current value of the second (count2) user resettable counter in both inches and centimeters.
	Syntax	! U1 getvar "odometer.media_marker_count2"
	Result	"0"
setvar choices	Values: "0" = reset the counter	
	Default	Must be an accepted value or it is ignored
Example	Description	Resets the first user resettable counter.
	Syntax	! U1 setvar "odometer.media_marker_count2" "0"

odometer.headclean

type: getvar; setvar

This parameter refers to the head clean odometer count. This counter tracks how many inches and centimeters have passed through the printer since the head was last cleaned.

getvar result	This will return the values for the head clean counter.	
Example	Description	Gets the values for the head clean counter.
	Syntax	! U1 getvar "odometer.headclean"
	Result	"0"
setvar choices	Values: "0" = reset the counter	
	Default	Must be an accepted value or it is ignored
Example	Description	Resets the head clean counter.
	Syntax	! U1 setvar "odometer.headclean" "0"

odometer.headnew

type: getvar; setvar

This parameter refers to the head replaced odometer count. This counter tracks how many inches and centimeters have passed through the printer since the head was last replaced

getvar result	This will return the values for the head new counter.	
Example	Description	Gets the values for the head new counter.
	Syntax	! U1 getvar "odometer.headnew"
	Result	"0"
setvar choices	Values: "0" = reset the counter	
	Default	Must be an accepted value or it is ignored
Example	Description	Resets the head new counter.
	Syntax	! U1 setvar "odometer.headnew" "0"

Power Parameters

power.ascii_graph

type: getvar

This parameter refers to the battery status depicted by ASCII graphics characters.

getvar result	The battery graph, represented by ASCII graphics characters.	
Example	Description	Get current battery status graph
	Syntax	! U1 getvar "power.ascii_graph"
	Result	Battery graph in ASCII characters

power.cycle_count

type: getvar

Returns the number of charge cycles the battery pack has experienced. A cycle is defined as a discharge of 80% of the pack's full charge capacity plus the concatenated partial charges that add to 80% of the pack's full charge capacity.

getvar result	Returns the number of charge cycles the battery pack has undergone.	
Example	Syntax	!U1 getvar "power.cycle_count"



This parameter will only function on printers equipped with a Zebra "Smart Battery".

power.date_first_used

type: getvar

Returns the date the pack is charged for the first time. This is a Zebra-generated value and is written to the Zebra Data Block.

getvar result	Returns the date of the battery pack's first charge cycle.	
Example	Syntax	!U1 getvar "power.date_first_used"



This parameter will only function on printers equipped with a Zebra "Smart Battery".

power.design_capacity

type: getvar

Returns the theoretical capacity of a new battery pack in milliAmp-hour (mAh)

getvar result	Returns the designed capacity of the battery pack in mAh.	
Example	Syntax	!U1 getvar "power.design_capacity"



This parameter will only function on printers equipped with a Zebra "Smart Battery".

power.design_voltage

type: getvar

Theoretical voltage of a new pack in milliVolts (mV).

getvar result	Returns the designed voltage of the battery pack in mV.	
Example	Syntax	!U1 getvar "power.design_voltage"



This parameter will only function on printers equipped with a Zebra "Smart Battery".

power.dtr_power_off

type: getvar; setvar

This parameter refers to the remote printer power control. DTR power off is used for power management. When DTR is enabled the printer can be powered on and off via the DSR signal. When DTR power off is enabled, a low to high transition will cause the printer to turn ON and a high to low transition will cause the printer to turn OFF. The printer will stay ON as long as DSR is high unless it reaches low battery shutdown or receives a command to shut down.



NOTE: The inactivity time-out is disabled while DSR is active.

getvar result	Current DTR power-off setting.	
Example	Description	Get current DTR power-off setting.
	Syntax	! U1 getvar "power.dtr_power_off"
	Result	"on"
setvar choices	"on", "off"	
	Default	"on"
Example	Description	Enable DTR power-off.
	Syntax	! U1 setvar "power.dtr_power_off" "on"
	Result	Printer will enable DTR power-off

power.full_charge_capacity

type: getvar

Returns the predicted pack capacity in mA-Hour when it is fully charged.

getvar result	Returns the predicted capacity of the battery pack in mAh.	
Example	Syntax	!U1 getvar "power.full_charge_capacity"



This parameter will only function on printers equipped with a Zebra "Smart Battery".

power.health

type: getvar

Returns the "health" rating of the battery pack. Battery health can be "good", "replace" or "poor".

- Health is "good" if the power.cycle_count < 300 and capacity ratio (the ratio of actual capacity to the design capacity) is greater or equal to 0.80.
- Health is "replace" if power.cycle_count is between 300 and 600. If # of Cycles is < 550 but > 300, the printer will display a message "Please Replace Battery Pack" followed by three beeps. If the number of charge cycles is ≤550 but < 600, the reminder shall be: "Warning - Battery is Past its Useful Life" followed by three beeps.
- Health is "poor" if the power.cycle_count is greater than 600. Printer will flash a message: "Please Replace Battery Before Proceeding – Shutting Down" accompanied by a beep for thirty seconds and then shut down.

getvar result	Returns the health rating of the battery pack.	
Example	Syntax	!U1 getvar "power.health"



This parameter will only function on printers equipped with a Zebra "Smart Battery".

power.inactivity_timeout

type: getvar; setvar

This parameter refers to the inactivity timeout.

getvar result	Current inactivity timeout in seconds.	
Example	Description	Instructs the printer to respond with the inactivity timeout value
	Syntax	! U1 getvar "power.inactivity_timeout"
	Result	"120 Seconds"
setvar choices	"0" through "8190". Values are specified in seconds. A value of "0" disables inactivity timeout.	
	Default	"120"
Example	Description	Set inactivity timeout to 120 seconds
	Syntax	! U1 setvar "power.inactivity_timeout" "120"
	Result	Printer inactivity timeout will be set to 120 seconds

power.low_battery_timeout

type: getvar; setvar

This parameter refers to the low battery timeout. When the printer reaches the low battery state this timeout will become active. The printer will shut down after the specified low battery time out

getvar result	Current low-battery timeout in seconds.	
Example	Description	Get current low-battery timeout
	Syntax	! U1 getvar "power.low_battery_timeout"
	Result	"60"
setvar choices	"0" through "65535". Values are specified in seconds. A value of "0" disables low-battery timeout.	
	Default	"60"
Example	Description	Set low-battery timeout to 60 seconds
	Syntax	! U1 setvar "power.low_battery_timeout" "60"
	Result	Printer low-battery timeout will be set to 60

power.low_battery_shutdown

type: getvar

This parameter refers to the low battery shutdown level.

getvar result	Current low-battery shutdown level in volts.	
Example	Description	Get current low-battery shutdown level
	Syntax	! U1 getvar "power.low_battery_shutdown"
	Result	"6.47(166)"

power.low_battery_warning

type: getvar

This parameter refers to the low battery warning level.

getvar result	Current low-battery warning level in volts.	
Example	Description	Get current low-battery warning level
	Syntax	! U1 getvar "power.low_battery_warning"
	Result	"6.86(176)"

power.manufacturer_data

type: getvar

The "power.manufacturer_data" function may be used to access the battery manufacturer's data area. This contains data in a proprietary format and might include items such as: lot codes, number of deep cycles, discharge patterns, deepest discharge, etc. The battery manufacturer is free to use this data as they see fit.

getvar result	Returns the contents of the battery pack manufacturer's data area.	
Example	Syntax	!U1 getvar "power.manufacturer_data"



This parameter will only function on printers equipped with a Zebra "Smart Battery".

power.percent_full

type: getvar

This parameter refers to the battery status expressed as a percentage of the full battery charge.

getvar result	Battery status as percent full.	
Example	Description	Get current battery status
	Syntax	! U1 getvar "power.percent_full"
	Result	" 43% Full"

power.status

type: getvar

This parameter refers to the battery status.

getvar result	"ok", "low"	
Example	Description	Get current battery status
	Syntax	! U1 getvar "power.status"
	Result	"ok"

power.voltage

type: getvar

This parameter refers to the battery voltage.

getvar result	Battery voltage.	
Example	Description	Get current battery voltage
	Syntax	! U1 getvar "power.voltage"
	Result	"7.25"

Print Parameters

print.tone

type: getvar; setvar

This parameter specifies the printer darkness.

getvar result	The printer's current darkness setting.	
Example	Description	Retrieves the printer's current darkness setting.
	Syntax	! U1 getvar "print.tone"
	Result	" 4.0"
setvar choices	Values: "0.0" to "30.0" = darkness; "-0.1" to "-30.0" and "+0.1" to "+30.0" = incremental adjustments	
	Default	"4.0 "
Example	Description	Instructs the printer to set the darkness and relative darkness.
	Syntax	! U1 setvar "print.tone" "4.0"

Test Function Parameters

test.feed

type: do

This command can be used to advance media to top-of-form.

do parameters	None.	
Example	Description	Perform form feed
	Syntax	! U1 do "test.feed" ""
	Result	Printer will advance to top-of-form

test.print_diags

type: do

This command can be used to print a diagnostics report.

do parameters	None.	
Example	Description	Print diagnostics report
	Syntax	! U1 do "test.print_diags" ""
	Result	Printer will print a diagnostics report

test.report_diags

type: do

This command can be used to retrieve a diagnostics report from the printer.

do parameters	None.	
Example	Description	Retrieve diagnostics report
	Syntax	! U1 do "test.report_diags" ""
	Result	Zebra QL 320 V79.40 02/01/02 CHK FFFF End of report.

Networking Parameters

The following parameter names can be used only with the network application versions 40 and above. Any changes made using the setvar command will not take effect until the printer's power has been cycled or the device.reset command is issued.

ip.bootp.enable

type: getvar; setvar

This parameter will turn BOOTP on or off. BOOTP is a method for acquiring an IP address, netmask, and gateway automatically on printer power-up. It requires a BOOTP server on the local network.

If you are using static ip addressing, BOOTP must be "off".



NOTE: It is not recommended that BOOTP and DHCP both be enabled at the same time since this may increase the printer power-up initialization time. If both BOOTP and DHCP are enabled at the same time, the printer will first try BOOTP and if it does not receive a response after several seconds, it will then try DHCP. You should contact your network administrator to determine whether your network supports either BOOTP or DHCP and enable only the proper parameter on the printer.

getvar result	The current BOOTP setting.	
Example	Description	Instructs the printer to respond with the current BOOTP setting
	Syntax	! U1 "getvar" "ip.bootp.enable"
	Result	"off"
setvar choices	"on" –	Printer will use BOOTP to get its IP information on startup
	"off" –	Printer will not use BOOTP
	Default	"off"
Example	Description	Turn the BOOTP feature on
	Syntax	! U1 setvar "ip.bootp.enable" "on"
	Result	On power-up, the printer will use the BOOTP protocol to receive its IP settings from a network server

card.mac_addr

type: getvar

This parameter refers to the MAC address of the network card.

getvar result	MAC address of the printer	
Example	Description	This parameter instructs the printer to respond with the MAC address
	Syntax	! U1 getvar "card.mac_addr"
	Result	"00A0F83AA589"

ip.addr

type: getvar; setvar

This parameter refers to the IP address of the printer. The DHCP setting ("ip.dhcp.enable" parameter) must be "off" to change the printer's IP address.

getvar result	The printer's IP address	
Example	Description	Instructs the printer to respond with its current IP address
	Syntax	! U1 getvar "ip.addr" "10.14.4.159"
	Result	
setvar choices	Any valid IP address	
	Default	0.0.0.0
Example	Description	Instructs the printer to change its IP address to 10.14.4.235
	Syntax	! U1 setvar "ip.addr" "10.14.4.235"
	Result	The IP address will change to 10.14.4.235 upon cycling the power or issuing the device.reset command is issued

card.inserted

type: getvar

This parameter indicates whether the wireless radio card is or is not inserted.

getvar result		
Example	Description	This parameter instructs the printer to respond with the wireless radio card status, i.e. inserted or not inserted
	Syntax	! U1 getvar "card.inserted"
	Result	"Inserted"

ip.dhcp.enable

type: getvar; setvar

This parameter refers to DHCP setting. DHCP must be set to “off” before setting a static IP address.



NOTE: It is not recommended that BOOTP and DHCP both be enabled at the same time since this may increase the printer power-up initialization time. If both BOOTP and DHCP are enabled at the same time, the printer will first try BOOTP and if it does not receive a response after several seconds, it will then try DHCP. You should contact your network administrator to determine whether your network supports either BOOTP or DHCP and enable only the proper parameter on the printer.

getvar result	The printer's DHCP status (on or off)	
Example	Description	This command instructs the printer to respond with DHCP setting
	Syntax	! U1 getvar "ip.dhcp.enable"
	Result	"on"
setvar choices	"on", "off"	
	Default "on"	
Example	Description	This command instructs the printer to enable DHCP
	Syntax	! U1 setvar "ip.dhcp.enable" "off"
	Result	The printer's DHCP will be off upon cycling printer power or issuing the device.reset command

ip.dhcp.cid_prefix

type: getvar; setvar

This parameter defines the prefix to be prepended to the DHCP client identifier (option 61) when DHCP is enabled and "ip.dhcp.cid_type" is set to "0".



NOTE: This parameter is only applicable if "ip.dhcp.enable" is set to "on".

getvar result	The current client identifier prefix	
Example	Description	This command instructs the printer to respond with the client identifier prefix
	Syntax	! U1 getvar "ip.dhcp.cid_prefix"
	Result	""
setvar choices	Any text string up to 10 characters in length	
	Default	""
Example	Description	Change CID prefix to "ZEB"
	Syntax	! U1 setvar "ip.dhcp.cid_prefix" "ZEB"
	Result	The next time the printer sends a DHCP request, if "ip.dhcp.cid_type" is "0", the client identifier sent will be prefixed with the string "ZEB". e.g. if "ip.dhcp.cid_value" is "PRT001", the actual client identifier sent will be "ZEBPRT001"

ip.dhcp.cid_type

type: getvar; setvar

This parameter defines the type of Client Identifier (option 61) that will be sent if DHCP is enabled. A value of "1" means the type is "Ethernet" and the printer's MAC address will be used. A value of "0" means the type is "synthetic" and the client identifier sent will be "ip.dhcp.cid_prefix" concatenated with "ip.dhcp.cid_value".



NOTE: This parameter is only applicable if "ip.dhcp.enable" is set to "on".

getvar result	The current Client Identifier type to be used with DHCP.	
Example	Description	This command instructs the printer to respond with the client identifier type
	Syntax	! U1 getvar "ip.dhcp.cid_type"
	Result	"1"
setvar choices	<ul style="list-style-type: none"> • "0": synthetic string • "1": use printer's MAC address 	
	Default	"1"
Example	Description	Enable "synthetic" Client Identifier.
	Syntax	! U1 setvar "ip.dhcp.cid_type" "0"
	Result	The next time the printer is powered-on and DHCP is enabled, the Client Identifier (option 61) sent will be a "synthetic" type

ip.dhcp.cid_value

type: getvar; setvar

This parameter defines the unique value to be used as the client identifier (option 61) if DHCP is enabled and "ip.dhcp.cid_type" is "1".



NOTE: This parameter is only applicable if "ip.dhcp.enable" is set to "on".

getvar result	The current client identifier value	
Example	Description	This command instructs the printer to respond with the client identifier value
	Syntax	! U1 getvar "ip.dhcp.cid_value"
	Result	" "
setvar choices	Any text string up to 20 characters in length	
	Default	<ul style="list-style-type: none"> • If "ip.dhcp.cid_type" is "0" - the default is the printer's friendly name (see "device.friendly_name") • If "ip.dhcp.cid_type" is "1" - the default is the printer's MAC address
Example	Description	Change CID value to "PRT001"
	Syntax	! U1 setvar "ip.dhcp.cid_value" "PRT001"
	Result	The next time the printer sends a DHCP request, if "ip.dhcp.cid_type" is "0", the client identifier sent will be "ip.dhcp.cid_prefix" plus "PRT001" e.g. if "ip.dhcp.cid_prefix" is "ZEB", the actual client identifier sent will be "ZEBPRT001"

ip.ftp.enable

type: getvar; setvar

This parameter refers to the FTP protocol setting. It tells the printer to turn FTP on or off.

getvar result	Returns printer's FTP status (on or off)	
Example	Description	This command instructs the printer to respond with the FTP setting
	Syntax	! U1 getvar "ip.ftp.enable"
	Result	"on"
setvar choices	"on", "off"	
	Default	"on"
Example	Description	This command instructs the printer to disable FTP
	Syntax	! U1 setvar "ip.ftp.enable" "off"
	Result	FTP service will be disabled upon cycling the power or issuing the device.reset command

ip.dhcp.requests_per_session

type: getvar, setvar

getvar result	Result is "2" when the setvar value is set to "2"	
Example	Description	This command retrieves the currently set maximum amount of DHCP discovery requests for a single DHCP session on the wireless print server
	Syntax	! U1 getvar "ip.dhcp.requests_per_session"
	Result	"2"
setvar choices	"1" through "10"	
	Default	"2"
Example	Description	This command instructs the printer to disable FTP
	Syntax	! U1 setvar "ip.dhcp.requests_per_session" "value"

ip.dhcp.request_timeout

type: getvar, setvar

This parameter retrieves the maximum amount of time (in seconds) for a DHCP discovery requests on the wireless print server.

getvar result	Result is "2" when the setvar value is set to "2"	
Example	Description	This command retrieves the currently set amount of time (in seconds) to wait before timing out a DHCP discovery request
	Syntax	! U1 getvar "ip.dhcp.request_timeout"
	Result	"2"
setvar choices	"2" through "30"	
	Default	"2"
Example	Description	This command instructs the printer to set the amount of time (in seconds) to wait before timing out a DHCP discovery request
	Syntax	! U1 setvar "ip.dhcp.request_timeout" "value"

ip.dhcp.session_interval

type: getvar, setvar

This parameter configures the time interval (in seconds) before a new DHCP session is started on the wireless print server.

getvar result	Result is "10" when the setvar value is set to "10"	
Example	Description	This command retrieves the current DHCP session timeout value (in seconds)
	Syntax	! U1 getvar "ip.dhcp.session_interval"
	Result	"2"
setvar choices	"0" through "60"	
	Default	"10"
Example	Description	This command instructs the printer to set the DHCP session timeout value (in seconds)
	Syntax	! U1 setvar "ip.dhcp.session_interval" "value"

ip.dhcp.lease.length

type: getvar

This parameter retrieves the original length of the DHCP lease on the wireless print server.

getvar result		
Example	Description	This parameter retrieves the original length of the DHCP lease on the wireless print server
	Syntax	! U1 getvar "ip.dhcp.lease.length"
	Result	"1296000"

ip.dhcp.lease.time_left

type: getvar

This parameter retrieves the time left in the current DHCP lease on the wireless print server.

getvar result		
Example	Description	This parameter retrieves the time left in the current DHCP lease on the wireless print server
	Syntax	! U1 getvar "ip.dhcp.lease.time_left"
	Result	"1192518"

ip.dhcp.lease.server

type: getvar

This parameter retrieves the address of the server that provided the DHCP lease on the wireless print server.

getvar result	Server address "10.3.5.1" retrieved	
Example	Description	This parameter retrieves the address of the server that provided the DHCP lease on the wireless print server
	Syntax	! U1 getvar "ip.dhcp.lease.server"
	Result	"10.3.5.1"

ip.dhcp.lease.last_attempt

type: getvar

This parameter retrieves the time from the DHCP server of when the last DHCP request was sent.

getvar result		
Example	Description	This parameter retrieves the last time a DHCP request was sent
	Syntax	! U1 getvar "ip.dhcp.lease.last_attempt"
	Result	

ip.dhcp.cache_ip

type: getvar, setvar

This parameter enables or disables the IP caching.

getvar result	Result is "Off" when the setvar value is set to "Off"	
Example	Description	This parameter retrieves the status of the IP cache
	Syntax	! U1 getvar "ip.dhcp.cache_ip"
	Result	"2"
setvar choices	"On=enabled" "Off=disabled"	
	Default	"Off"
Example	Description	This parameter sets the status of the IP cache
	Syntax	! U1 setvar "ip.dhcp.cache_ip" "value"

ip.dhcp.option12

type: getvar, setvar

This parameter specifies if the DHCP option 12 (host name) is on or off in the discovery packet that is sent from the wireless print server.

getvar result	Result is "On" when the setvar value is set to "On"	
Example	Description	This parameter retrieves the status of the DHCP option 12 (host name) in the discovery packet that is sent from the wireless print server.
	Syntax	! U1 getvar "ip.dhcp.option12"
	Result	"2"
setvar choices	"On=turns on option 12" "Off=turns off option 12"	
	Default	"On"
Example	Description	This parameter instructs the printer to set the DHCP option 12 (host name) in the discovery packet that is sent from the wireless print server.
	Syntax	! U1 setvar "ip.dhcp.option12" "value"

ip.dhcp.option12_format

type: getvar, setvar

This parameter specifies the value which will be used for option 12 (host name) to be used in the DHCP discovery packet of the wireless print server.

getvar result		
Example	Description	This parameter retrieves the value which will be used for option 12 (host name) in the DHCP discovery packet on the wireless print server.
	Syntax	! U1 getvar "ip.dhcp.option12_format"
	Result	""
setvar choices	Default	""
Example	Description	This parameter instructs the printer to set the value which will be used for option 12 (host name) to be used in the DHCP discovery packet of the wireless print server.
	Syntax	! U1 setvar "ip.dhcp.option12_format" "value"

Example: This setvar example shows configuring the ip.dhcp.option12_format to the value contained in the device.friendly_name.

It is necessary to surround the SGD entry to be used as source for the data with the <and> characters.

```
! U1 setvar "ip.dhcp.option12_format" "<device.friendly_name>"
```

To further explain, if the above command was issued and the value currently stored in the device.friendly_name parameter was "ShipPrinter", then the response to following command would be "ShipPrinter":

```
! U1 getvar "ip.dhcp.option12_value"
```

ip.dhcp.option12_value

type: getvar

This parameter retrieves the actual value which will be used in the discovery packet of the wireless print server.

getvar result		
Example	Description	This parameter retrieves the actual value which will be used in the discovery packet of the wireless print server.
	Syntax	! U1 getvar "ip.dhcp.option12_value"
	Result	

ip.dhcp.cid_enable

type: getvar, setvar

This parameter determines if DHCP (option 61) is turned on or off.

getvar result	Result is "Off" when setvar value is set to "Off"	
Example	Description	This parameter instructs the printer to respond with the status of the client identifier.
	Syntax	! U1 getvar "ip.dhcp.cid_enable"
	Result	""
setvar choices	"Off" = client identifier is turned off; "On" = client identifier is turned on	
	Default	"Off"
Example	Description	This parameter instructs the printer to set the status of the client identifier.
	Syntax	! U1 setvar "ip.dhcp.cid_enable" "value"

ip.dhcp.cid_suffix

type: getvar, setvar

This printer setting defines the unique suffix to be used as the client identifier (DHCP option 61) if DHCP is enabled and "ip.dhcp.cid_type" is set to "0" or "2".

getvar result	Result is "printer" if setvar value is set to "printer"	
Example	Description	This parameter instructs the printer to respond with the client identifier suffix.
	Syntax	! U1 getvar "ip.dhcp.cid_suffix"
	Result	""
setvar choices	The maximum length of a value allowed is 60 ASCII characters when the CID type is ASCII, or 120 hexadecimal values when the CID type is hexadecimal.	
	Default	""
Example	Description	This parameter instructs the printer to change the CID value.
	Syntax	! U1 setvar "ip.dhcp.cid_suffix" "value"

ip.dhcp.cid_all

type: getvar, setvar

This printer setting defines the entire client identifier (DHCP option 61) if the DHCP is enabled and "ip.dhcp.cid_type" is set to "0" or "2". The MAC address is used if the type is set to "1".

getvar result	Result is "printer" when setvar value is set to "printer"	
Example	Description	This command instructs the printer to respond with the client identifier prefix and suffix.
	Syntax	! U1 getvar "ip.dhcp.cid_all"
	Result	""
setvar choices	A maximum length of 60 characters if the CID type is ASCII or 120 characters if the CID type is hexadecimal.	
	Default	""
Example	Description	This command instructs the printer to change the CID prefix and suffix.
	Syntax	! U1 setvar "ip.dhcp.cid_all" "value"

ip.gateway

type: getvar; setvar

This parameter refers to the gateway address. This value is ignored if DHCP is enabled.

getvar result	This will return the gateway setting in the printer.	
Example	Description	This command instructs the printer to respond with the gateway address
	Syntax	! U1 getvar "ip.gateway"
	Result	"10.19.5.1"
setvar choices	Any valid gateway address.	
	Default	"0.0.0.0"
Example	Description	This command instructs the printer to change the gateway address to 38.10.4.1
	Syntax	! U1 setvar "ip.gateway" "38.10.4.1"
	Result	This will set the gateway address to 38.10.4.1 upon cycling the power or issuing the device.reset command

ip.ftp.execute_file

type: getvar; setvar

This parameter controls the printer's ability to process or not process commands received via the FTP protocol using the printer's ZPL engine.

getvar result	Enables or disables printer's ability to process FTP commands (on or off)	
Example	Description	This command instructs the printer to respond with the FTP processing ability status.
	Syntax	! U1 getvar "ip.ftp.execute_file"
	Result	"on"
setvar choices	"on" enables printer's ability to process FTP commands "off" disables printer's ability to process FTP commands	
	Default	"on"
Example	Description	This command instructs the printer to turn FTP processing ability on or off.
	Syntax	! U1 setvar "ip.ftp.execute_file" "on"
	Result	

ip.http.enable

type: getvar; setvar

This parameter refers to the HTTP protocol / web sever setting.

getvar result	This will return the HTTP protocol status. (on or off)	
Example	Description	This command instructs the printer to respond with the HTTP setting
	Syntax	! U1 getvar "ip.http.enable"
	Result	"on"
setvar choices	"on", "off"	
	Default	"on"
Example	Description	This command instructs the printer to enable the HTTP protocol
	Syntax	! U1 setvar "ip.http.enable" "on"
	Result	The HTTP protocol will be turned on upon cycling the power or issuing the device.reset command

ip.lpd.enable

type: getvar; setvar

This parameter refers to the LPD protocol setting.

LPD communications from the host should be directed to port 515.

getvar result	This will return the LPD protocol status. (on or off)	
Example	Description	This command instructs the printer to respond with the LPD value
	Syntax	! U1 getvar "ip.lpd.enable"
	Result	"on"
setvar choices	"on", "off"	
	Default	"on"
Example	Description	This command instructs the printer to enable the LPD protocol.
	Syntax	! U1 setvar "ip.lpd.enable" "on"
	Result	The LPD protocol will be turned on upon cycling the power or issuing the device.reset command

ip.netmask

type: getvar; setvar

This parameter refers to the subnet mask address. This value is ignored if DHCP is enabled.

getvar result	This will return the printer's subnet mask.	
Example	Description	This command instructs the printer to respond with the subnet mask
	Syntax	! U1 getvar "ip.netmask"
	Result	"255.255.255.0"
setvar choices	Any valid netmask.	
	Default	"255.255.255.0"
Example	Description	This command instructs the printer to change the subnet mask to 255.255.0.0
	Syntax	! U1 setvar "ip.netmask" "255.255.0.0"
	Result	The subnet mask will be set to 255.255.0.0 upon cycling the power or issuing the device.reset command

ip.ping_remote

type: do

This parameter directs the printer to ping a specified address "x" number of times. The address to be pinged is set by setvar ip.remote.

do parameters	ip address; number of times to ping	
Example	Description	This command instructs the printer to ping the address set by the ip.remote parameter ten times
	Syntax	! U1 do "ip.ping_remote "10"
	Result	Printer creates a report similar to the following: Pinging 10.14.4.162 10 times Results: 10 of 10 succeeded Min:20 Max:40 Avg:22 (min/max times in mSec.)

ip.mirror.auto

type: getvar, setvar

This parameter enables the ability to automatically perform a mirror update (fetch) command on power up.

getvar result	This will return the LPD protocol status. (on or off)	
Example	Description	This parameter will report whether the printer will perform a mirror update (fetch) automatically on power up.
	Syntax	! U1 getvar "ip.mirror.auto"
	Result	"off"
setvar choices	"on" turns on the auto mirroring feature "off" turns off the auto mirroring feature	
	Default	"off"
Example	Description	This parameter instructs the printer to perform a mirror update (fetch) command when the printer is turned on using the interval that is set for "ip.mirror.freq" or "ip.mirror.freq-hours".
	Syntax	! U1 setvar "ip.mirror.auto" "off"
	Result	

ip.mirror.username

type: getvar, setvar

This parameter specifies the user name on the mirroring server assigned for mirroring updates (fetch).

getvar result		
Example	Description	This parameter retrieves the user name the printer is currently using for mirroring updates (fetch).
	Syntax	! U1 getvar "ip.mirror.username"
	Result	"user"
setvar choices	alphanumeric text string (1 to 20 characters)	
	Default	"user"
Example	Description	This parameter instructs the printer to use a specific user name for mirroring updates (fetch).
	Syntax	! U1 setvar "ip.mirror.username" "user"
	Result	

ip.mirror.password

type: getvar, setvar

This parameter specifies the user password on the mirroring server assigned for mirroring updates (fetch).

getvar result	For security purposes the printer does not return password information	
Example	Description	This parameter retrieves the user password the printer is currently using for mirroring updates (fetch).
	Syntax	! U1 getvar "ip.mirror.password"
	Result	"*"
setvar choices	alphanumeric text string (1 to 20 characters)	
	Default	"password"
Example	Description	This parameter instructs the printer to use a specific password for mirroring updates (fetch).
	Syntax	! U1 setvar "ip.mirror.password" "password"
	Result	

ip.mirror.server

type: getvar, setvar

This parameter identifies the IP address of the mirroring server.

getvar result	The IP address of the mirroring server	
Example	Description	This parameter retrieves the IP address of the mirroring server.
	Syntax	! U1 getvar "ip.mirror.server"
	Result	"10.3.1.1"
setvar choices	Values: a valid IP address	
	Default	"127.0.0.1"
Example	Description	This parameter sets the IP address of the mirroring server.
	Syntax	! U1 setvar "ip.mirror.server" "10.3.1.1"
	Result	

ip.mirror.path

type: getvar, setvar

This parameter identifies the base path on the FTP server where the mirror directory resides.

getvar result		
Example	Description	This parameter retrieves the base path of the FTP server where the mirror directory resides.
	Syntax	! U1 getvar "ip.mirror.path"
	Result	"zebra"
setvar choices	Values: alphanumeric text string (1 to 50 characters)	
	Default	"zebra"
Example	Description	This parameter sets the base path on the FTP server where the mirror directory resides.
	Syntax	! U1 setvar "ip.mirror.path" "zebra"
	Result	

ip.mirror.freq

type: getvar, setvar

This parameter defines the frequency of mirroring updates (in minutes).

getvar result	The amount of time (in min.) it will take before mirroring is attempted.	
Example	Description	This parameter retrieves the number of minutes to wait before performing another mirror update.
	Syntax	! U1 getvar "ip.mirror.freq"
	Result	"1000" (where mirroring will be attempted every 1000 min.)
setvar choices	Values: "0" through "65535" (minutes)	
	Default	"0" (disables this feature)
Example	Description	This parameter instructs the printer to set the mirror frequency.
	Syntax	! U1 setvar "ip.mirror.freq" "1000"
	Result	

ip.mirror.fetch

type: do, setvar

This parameter forces a mirroring update sequence.

do	Description	This command forces a mirroring update sequence.
	Syntax	! U1 do "ip.mirror.fetch" ""
setvar	Description	This command forces a mirroring update sequence.
	Syntax	! U1 setvar "ip.mirror.fetch" ""

ip.mirror.version

type: getvar

This parameter retrieves the mirror code build date.

getvar	Description	This command retrieves the mirror code build date.
	Syntax	! U1 getvar "ip.mirror.version"

ip.mirror.freq_hours

type: getvar; setvar

This parameter defines the frequency of mirroring updates (in hours).

getvar result	The frequency (in hours) mirroring is attempted.	
Example	Description	This parameter retrieves the frequency of mirroring updates (in hours) that the printer is currently using. .
	Syntax	! U1 getvar "ip.mirror.freq_hours"
	Result	"100" (where mirroring will be attempted every 100 hours)
setvar choices	Values: "0" through "100"	
	Default	"0" (disables this feature)
Example	Description	This parameter instructs the printer to set the frequency of mirroring updates (in hours).
	Syntax	! U1 setvar "ip.mirror.freq" "100"

ip.mirror.error_retry

type: getvar; setvar

This parameter identifies how many times mirroring is retried when an error occurs.

getvar result	The number of times (e.g. 0) mirroring is retried after an error.	
Example	Description	This parameter retrieves the number of times the printer retries mirroring when an error occurs.
	Syntax	! U1 getvar "ip.mirror.error_retry"
	Result	"0"
setvar choices	Values: numeric values (0-65535)	
	Default	"0"
Example	Description	This parameter instructs the printer to set the required times that mirroring retries when an error occurs.
	Syntax	! U1 setvar "ip.mirror.freq" "0"

ip.mirror.feedback.auto

type: getvar; setvar

This parameter identifies if a feedback file is pushed to the mirroring server by the printer when a mirroring update (fetch) is complete.

getvar result	The state (e.g. off) of the mirror feedback setting.	
Example	Description	This parameter retrieves the mirror feedback setting that the printer is currently using.
	Syntax	! U1 getvar "ip.mirror.feedback.auto"
	Result	"off"
setvar choices	"on" = turns on mirror feedback; "off" = turns off mirror feedback	
	Default	"off"
Example	Description	This parameter instructs the printer to set the mirror feedback feature to on or off.
	Syntax	! U1 setvar "ip.mirror.freq" "off"

ip.mirror.feedback.path

type: getvar; setvar

This parameter identifies where the feedback file is stored on the mirroring server.

getvar result	The path on the mirroring server that stores the feedback file.	
Example	Description	This parameter retrieves the path on the mirroring server that the printer is currently using to store the feedback file.
	Syntax	! U1 getvar "ip.mirror.feedback.path"
	Result	"Zebra/feedback"
setvar choices	Values: alphanumeric text (1 to 50 characters)	
	Default	"Zebra/feedback"
Example	Description	This parameter instructs the printer to set the mirror frequency.
	Syntax	! U1 setvar "ip.mirror.feedback.path" "Zebra/feedback"

ip.mirror.feedback.freq

type: getvar; setvar

This parameter specifies the time interval (in minutes) between performing feedback file uploads.

getvar result	The amount of time (in min.) the printer will wait between feedback file uploads.	
Example	Description	This parameter retrieves the number of minutes to wait between feedback file uploads.
	Syntax	! U1 getvar "ip.mirror.feedback.freq"
	Result	"0"
setvar choices	Values: numeric value (0-65535)	
	Default	"0"
Example	Description	This parameter instructs the printer to set the number of minutes to wait between feedback file uploads.
	Syntax	! U1 setvar "ip.mirror.feedback.freq" "0"

ip.mirror.feedback.odometer

type: getvar; setvar

This parameter instructs the printer to set the mirror feedback odometer.

getvar result	The value at which the printer sets the odometer counter.	
Example	Description	This parameter retrieves the mirror feedback odometer.
	Syntax	! U1 getvar "ip.mirror.feedback.odometer"
	Result	"0"
setvar choices	Values: numeric value between 0 and 2632	
	Default	"0"
Example	Description	This parameter instructs the printer to set the odometer counter.
	Syntax	! U1 setvar "ip.mirror.feedback.odometer" "0"

ip.mirror.success

type: getvar

This parameter reports the success or failure of the last mirroring update (fetch).

getvar	Description	This command retrieves the success or failure of the last mirroring update.
	Syntax	! U1 getvar "ip.mirror.success"
	Values	"yes" = successful; "no" = unsuccessful

ip.mirror.success_time

type: getvar

This parameter provides the timestamp, in seconds, of the last time the system successfully completed a mirror update (fetch).

getvar	Description	This command retrieves the timestamp, in seconds, of the last time the system successfully completed a mirror update (fetch).
	Syntax	! U1 getvar "ip.mirror.success_time"

ip.mirror.last_time

type: getvar

This parameter retrieves the timestamp, in seconds, of the last time the system attempted a mirror update (fetch).

getvar	Description	This command retrieves the timestamp, in seconds, of the last time the system attempted a mirror update (fetch).
	Syntax	! U1 getvar "ip.mirror.last_time"

ip.mirror.last_error

type: getvar

This command retrieves the last error encountered during a mirroring operation.

getvar	Description	This command retrieves the error code of the last mirroring update (fetch).
	Syntax	! U1 getvar "ip.mirror.last_error"

ip.dns.domain

type: getvar

This parameter identifies the network domain of the wireless print server.

getvar	Description	This command retrieves the network domain of the wireless print server.
	Syntax	! U1 getvar "ip.dns.domain"

ip.dns.servers

type: getvar

This parameter retrieves a space delimited list of the domain name servers from a wireless print server.

getvar	Description	This command retrieves a list of space delimited DNS wireless print servers.
	Syntax	! U1 getvar "ip.dns.servers"

ip.arp_interval

type: getvar; setvar

This printer setting allows you to specify the Address Resolution Protocol (ARP) interval or the ARP cache time out.

getvar result	The value to which the printer changes the ARP interval or ARP cache time out.	
Example	Description	This parameter instructs the printer to respond with the ARP interval or the ARP cache time out value in seconds..
	Syntax	! U1 getvar "ip.arp_interval"
	Result	"0"
setvar choices	Values: 0-30	
	Default	"0"
Example	Description	This parameter instructs the printer to change the ARP interval or the ARP cache time out.
	Syntax	! U1 setvar "ip.arp_interval" "0"

ip.primary_network

type: getvar; setvar

This parameter allows you to set the primary network to either wired or wireless.

getvar result	The name (e.g. wired or wireless) of the primary network device.	
Example	Description	This parameter instructs the printer to respond with the name of the current primary network device.
	Syntax	! U1 getvar "ip.primary_network"
	Result	"1"
setvar choices	Values: 1 = wired; 2 = wireless	
	Default	"1"
Example	Description	This parameter instructs the printer to set the primary network device.
	Syntax	! U1 setvar "ip.primary_network" "1"

ip.active_network

type: getvar

This parameter displays if the printer is actively connected to wireless, external wired, or internal wired.

getvar	Description	This command instructs the printer to respond with what the printer is currently connected to: internal wired, wireless, external wired, or unknown. The table below provides details on the potential return values.
	Syntax	! U1 getvar "ip.active_network"

Return Values	Details
"internal wired"	This is the return value when an internal wired device is detected.
"wireless"	This is the return value when a wireless device is detected.
"external wired"	This is the return value when an external wired device is detected.
"unknown"	This is the return value: <ul style="list-style-type: none"> • if the printer has not established a network connection of any of the devices. • if you don't have any of the network devices plugged in. • if the printer is still trying to establish a connection (i.e. on wireless it is going through the association process).

ip.pop3.enable

type: getvar; setvar

This parameter refers to whether the printer will query a POP3 mailbox for mail.

getvar result	This will return the POP3 enable status (on or off)	
Example	Description	This command instructs the printer to respond with the POP3 setting
	Syntax	! U1 getvar "ip.pop3.enable"
	Result	"on"
setvar choices	"on", "off"	
	Default	"off"
Example	Description	This command instructs the printer to disable the POP3 querying
	Syntax	! U1 setvar "ip.pop3.enable" "on"
	Result	This will turn on the POP3 querying upon cycling the power or issuing the device.reset command

ip.pop3.password

type: getvar; setvar

This parameter refers to the POP3 mailbox password . This only applies if ip.pop3.enable is set to "on".

getvar result	Returns the POP3 password set in the printer.	
Example	Description	Instructs the printer to respond with the POP3 password value
	Syntax	! U1 getvar "ip.pop3.password"
	Result	"password"
setvar choices	Text string up to 19 characters in length	
	Default	"password"
Example	Description	Instructs the printer to change the POP3 password
	Syntax	! U1 setvar "ip.pop3.username" "new_password"
	Result	Changes the password to "new_password". This change will take effect upon cycling the power or issuing the device.reset command

ip.pop3.poll

type: getvar; setvar

This parameter refers to the frequency (in seconds) that the printer will query a POP3 mailbox for new mail. This only applies if the ip.pop3.enable is set to "on".



NOTE: A poll value of less than thirty seconds is not recommended. The printer is unresponsive for several seconds when polling for email depending on data transfer time from the server to the printer.

get var results	This will return the poll frequency in seconds	
Example	Description	This command instructs the printer to respond with the POP3 poll frequency (in seconds)
	Syntax	! U1 getvar "ip.pop3.poll"
	Result	"240"
set var choices	"0" through "65535" A value of "0" will cause the printer to query the POP3 mailbox once only on printer power up.	
	Default	"240"
Example	Description	This command instructs the printer to poll the POP3 mailbox every four minutes
	Syntax	! U1 setvar "ip.pop3.poll" "240"
	Result	This will set the pop3 polling frequency to 240 seconds (4 minutes)

ip.pop3.print_body

type: getvar; setvar

This parameter refers to whether the email body will be printed when the email is retrieved via POP3. This only applies if ip.pop3.enable is set to "on".

getvar result	Returns the pop3 print body status (on or off)	
Example	Description	Instructs the printer to respond whether or not the it will print the body of email retrieved via POP3
	Syntax	! U1 getvar "ip.pop3.print_body"
	Result	"on"
set var choices	"on", "off"	
	Default	"Off"
Example	Description	Instructs the printer not to print the body of the email retrieved via POP3
	Syntax	! U1 setvar "ip.pop3.print_body" "off"
	Result	Turns off the pop3 print body parameter

ip.pop3.print_headers

type: getvar; setvar

This parameter refers to whether the headers (From, Date, and Subject fields) of the email are to be printed. This only applies if ip.pop3.enable is set to "on".

getvar result	Returns the status of the pop3 printheaders (on or off).	
Example	Description	Instructs the printer to respond with the POP3 print_headers value
	Syntax	! U1 getvar "ip.pop3.print_headers"
	Result	"off"
setvar choices	"on", "off"	
	Default	"off"
Example	Description	Instructs the printer to enable the POP3 print_headers
	Syntax	! U1 setvar "ip.pop3.print_headers" "on"
	Result	Turns the pop3 printheaders on

ip.pop3.save_attachments

type: getvar; setvar

This parameter refers to whether email attachments are to be saved to the flash file system in the printer. This only applies if the ip.pop3.enable is set to on.



Note: attachment file names will be truncated to 11 characters (8 characters, with a 3-character extension.)

getvar result	This will return the pop3 save attachments status (on or off)	
Example	Description	This command instructs the printer to respond with the POP3 save attachments value
	Syntax	! U1 getvar "ip.pop3.save_attachments"
	Result	"off"
setvar choices	"on", "off"	
	Default	"on"
Example	Description	This command instructs the printer to disable POP3 save attachments
	Syntax	! U1 setvar "ip.pop3.save_attachments" "off"
	Result	This will turn the pop3 save attachments off

ip.pop3.server_addr

type: getvar; setvar

This parameter refers to the POP3 server IP address the printer contacts when checking for new mail. This only applies if ip.pop3.enable is set to on.

getvar result	This will return the POP3 server address setting.	
Example	Description	Instructs the printer to respond with the server address
	Syntax	! U1 getvar "ip.pop3.server_addr"
	Result	"0.0.0.0"
setvar choices	Any valid POP3 server address	
	Default	"0.0.0.0"
Example	Description	Instructs the printer to change the POP3 server address to 10.19.3.1
	Syntax	! U1 setvar "ip.pop3.server_addr" "10.19.3.1"
	Result	Sets the POP3 server address to 10.19.3.1

ip.pop3.username

type: getvar; setvar

This parameter refers to the POP3 username. This only applies if the ip.pop3.enable is set to on.

getvar result	This command instructs the printer to respond with the POP3 username value.	
Example	Description	This command instructs the printer to respond with the POP3 username value
	Syntax	! U1 getvar "ip.pop3.username"
	Result	"user"
setvar choices	Text string up to 19 characters in length	
	Default	User
Example	Description	This command instructs the printer to change the POP3 username to user1
	Syntax	! U1 setvar "ip.pop3.username" "user1"
	Result	This will change the pop3 username to user1

ip.pop3.verbose_headers

type: getvar; setvar

This parameter refers to whether all the email headers of the email will be printed. This only applies if ip.pop3.enable and ip.pop3.print_headers are set to "on".

getvar result	This will return the pop3 verbose headers status (on or off)	
Example	Description	This command instructs the printer to respond with the POP3 verbose header value
	Syntax	! U1 getvar "ip.pop3.verbose_headers"
	Result	"off"
setvar choices	"on", "off"	
	Default	"off"
Example	Description	Instructs the printer to enable POP3 verbose headers
	Syntax !	! U1 setvar "ip.pop3.verbose_headers" "on"
	Result	Turns POP3 verbose headers on. All email headers will be printed

ip.port

type: getvar; setvar

This parameter refers to the port number that the TCP and UDP print service is listening on. Normal TCP communications from the host should be directed to this port.

getvar result	Returns current TCP/UDP port setting.	
Example	Description	Instructs the printer to respond with the TCP/UDP port number
	Syntax	! U1 getvar "ip.port"
	Result	"6101"
setvar choices	"1" -"65535"; excluding 20, 21 (used for FTP), 23 (used for telnet), 80 (used for HTTP), and 515 (used for LPD)	
	Default	"6101"
Example	Description	Instructs the printer to set the TCP/UDP port number to 6102
	Syntax	! U1 setvar "ip.port" "6102"
	Result	Changes the TCP/UDP listening port to 6102

ip.remote

type: getvar; setvar

This parameter refers to the remote server address or name.

getvar result	Returns the current remote server address or name.	
Example	Description	Instructs the printer to respond with the currently stored remote server address or name
	Syntax	! U1 getvar "ip.remote"
	Result	"0.0.0.0"
setvar choices	Any IP Address or name up to 39 characters long	
	Default	"0.0.0.0"
Example	Description	Instructs the printer to change the remote IP address to 10.14.4.235
	Syntax	! U1 setvar "ip.remote" "10.14.4.235"
	Result	This will change the remote server to 10.14.4.235

ip.remote_autoconnect

type: getvar; setvar

This parameter will determine whether the printer will attempt to automatically initiate a TCP connection to a remote server on power-up. If the parameter "ip.remote" has a valid server address and "ip.remote_autoconnect" is set to "on", the printer will initiate a TCP connection to the address defined by "ip.remote" using the destination port number defined by "ip.remote_port". If "ip.remote_autoconnect" is "on", the printer will attempt to maintain a constant connection to this server address. Anytime the connection is lost, the printer will attempt to re-establish the connection to the remote address.

getvar result	The current auto-connect setting	
Example	Description	Instructs the printer to respond with the currently stored "ip.remote_autoconnect" status
	Syntax	! U1 getvar "ip.remote_autoconnect"
	Result	"off"
setvar choices	"on", "off"	
	Default	"off"
Example	Description	Instructs the printer to change the ip.remote_autoconnect status to "on"
	Syntax	! U1 setvar "ip.remote_autoconnect" "on"
	Result	On power up, the printer will initiate a TCP socket connection to the address defined by "ip.remote", connecting to the TCP port number defined by "ip.remote_port." Anytime the connection is lost, the printer will automatically attempt to re-establish it

ip.remote_port

type: getvar; setvar

This parameter defines the destination TCP port number to connect to when used in conjunction with "ip.remote_autoconnect" and "ip.remote" parameters.

getvar result	Returns the current TCP port number.	
Example	Description	Instructs the printer to respond with the currently stored TCP Port number
	Syntax	! U1 getvar "ip.remote_port"
	Result	"10013"
setvar choices	"0" - "65535".	
	Default	"10013"
Example	Description	Instructs the printer to change the TCP port number to "6000"
	Syntax	! U1 setvar "ip.remote" "6000"
	Result	If "ip.remote_autoconnect" is "on", the printer will attempt to connect to TCP port 6000 of the remote server

ip.smtp.enable

type: getvar; setvar

This parameter refers to the SMTP protocol.

getvar result	Returns the status of the SMTP protocol (on or off)	
Example	Description	Instructs the printer to return the SMTP setting
	Syntax	! U1 getvar "ip.smtp.enable"
	Result	"off"
setvar choices	"on", "off"	
	Default	On
Example	Description	Instructs the printer to enable the SMTP protocol
	Syntax	! U1 setvar "ip.smtp.enable" "on"
	Result	This will turn on the SMTP protocol in the printer

ip.smtp.server_addr

type: getvar; setvar

This parameter refers to the IP address of the SMTP server used for sending email.

getvar result	Returns the IP address of the SMTP server used for sending email.	
Example	Description	Instructs the printer to respond with the current SMTP server address
	Syntax	! U1 getvar "ip.smtp.server_addr"
	Result	"0.0.0.0"
setvar choices	Any valid IP address assigned to the SMTP server	
	Default	"0.0.0.0"
Example	Description	Instructs the printer to change the SMTP server address to 10.10.10.10
	Syntax	! U1 setvar "ip.smtp.server_addr" "10.10.10.10"
	Result	Changes the SMTP server address the printer uses to send email to 10.10.10.10

ip.snmp.enable

type: getvar; setvar

This parameter refers to the SNMP protocol. Enabling this parameter will allow the printer to be monitored and managed remotely via network management programs supporting SNMP.

getvar result	Returns the SNMP status (on or off).	
Example	Description	Instructs the printer to respond with the SNMP setting
	Syntax	! U1 getvar "ip.snmp.enable"
	Result	"on"
setvar choices	"on", "off"	
	Default	"on"
Example	Description	Instructs the printer to disable the SNMP protocol
	Syntax	! U1 setvar "ip.snmp.enable" "off"
	Result	Turns off the SNMP protocol

ip.snmp.get_community_name

type: getvar; setvar

This parameter is used when making SNMP queries. The SNMP client must supply the get community name that matches the printer's get community name in order to query any SNMP data.

getvar result	Returns the SNMP community name	
Example	Description	Instructs the printer to get the SNMP get community string
	Syntax	! U1 getvar "ip.snmp_get_community_name"
	Result	"public"
setvar choices	Any string up to 20 characters long	
	Default	"public"
Example	Description	Instructs the printer to set the SNMP set community string
	Syntax	! U1 setvar "ip.snmp_get_community_name" "private"
	Result	Changes the community name to "private"

ip.snmp.set_community_name

type: getvar; setvar

This parameter is used when changing SNMP data remotely. The SNMP client must supply the set community name that matches the printer's set community name in order to alter any SNMP data.

getvar result	This will return the SNMP set community name value.	
Example	Description	This command instructs the printer to return the printer's SNMP "set" community string
	Syntax	! U1 getvar "ip.snmp.set_community_name"
	Result	"private"
setvar choices	Valid values : Any string up to 20 characters long	
	Default	"private"
Example	Description	This command instructs the printer to set the SNMP set community string
	Syntax	! U1 setvar "ip.snmp_set_community_name" "private1"
	Result	"private1"

ip.snmp.create_mib

type: do

This parameter refers to creating a file of the printer's MIB.

do parameters	Filename (NOTE: The filename is up to eight characters in length with a three-character extension)	
Example	Description	This command instructs the printer to create an SNMP MIB file based in the current set/get parameters in the printer's application. The file will be stored on the printer's file system with the filename supplied as the parameter in the do command. The MIB file can then be retrieved (via Label Vista, FTP, or other wired /wireless connection to the printer) and passed onto any SNMP-based utility to provide a means to monitor and configure all the printer's parameters via SNMP.
	Syntax	! U1 do "ip.snmp.create_mib" "EXAMPLE1.MIB"
	Result	EXAMPLE1.MIB will be created in the printer's file system with the printer MIB information stored in it

ip.tcp.enable

type: getvar; setvar

This parameter refers to the TCP socket protocol.

getvar result	Returns the TCP protocol status. (on or off)	
Example	Description	Instructs the printer to respond with the TCP setting
	Syntax	! U1 getvar "ip.tcp.enable"
	Result	"on"
setvar choices	"on", "off"	
	Default	"on"
Example	Description	Instructs the printer to enable the TCP protocol
	Syntax	! U1 setvar "ip.tcp.enable" "on"
	Result	The TCP protocol will be turned on upon cycling the power or issuing "device.reset"

ip.telnet.enable

type: getvar; setvar

This parameter refers to the TELNET protocol.

getvar result	Returns the TELNET protocol status. (on or off)	
Example	Description	Instructs the printer to respond with the TELNET setting
	Syntax	! U1 getvar "ip.telnet.enable"
	Result	"on"
setvar choices	"on", "off"	
	Default	"on"
Example	Description	Instructs the printer to enable the TELNET protocol
	Syntax	! U1 setvar "ip.telnet.enable" "on"
	Result	The TELNET protocol will be turned on upon cycling the power or issuing the device.reset

ip.udp.enable

type: getvar ;setvar

This parameter refers to the UDP socket protocol.

getvar result	Returns the UDP protocol status. (on or off)	
Example	Description	This command instructs the printer to respond with the UDP setting
	Syntax	! U1 getvar "ip.udp.enable"
	Result	"on"
setvar choices	"on", "off"	
	Default	"on"
Example	Description	This command instructs the printer to enable the UDP protocol
	Syntax	! U1 setvar "ip.UDP.enable" "on"
	Result	The UDP protocol will be turned on upon cycling the power or issuing the device.reset

Frequency Hopping Spread Spectrum (FHSS) Radio Compatibility.

The following “wlan.xxx” commands currently either do not support FHSS radios, or have limited support. Refer to the individual commands for more detail.

wlan.xxx FHSS Compatibility

wlan.current_essid : currently not reported (wlan.essid can be used instead)

wlan.encryption_mode : only 40 bit encryption supported. 128 bit encryption is not supported, 40 bits will be used instead.

wlan.kerberos.kdc: not supported.

wlan.kerberos.mode: not supported.

wlan.kerberos.password: not supported.

wlan.kerberos.realm: not supported.

wlan.kerberos.username: not supported.

wlan.leap_mode: not supported.

wlan.leap_password: not supported

wlan.leap_username: not supported

wlan.operating_mode : infrastructure option only. Ad Hoc is not supported.

wlan.power_save : currently not supported. Support is under development.

wlan.preamble: not supported.

wlan.tx_power: not supported.

wlan.tx_rate : choices supported are : 1 and 2.

WLAN Parameters



Note: The following “wlan.xxx” parameters cannot be used on certain Cameo and Encore series printers. Cameo “N” and Encore “N” series printers must instead use the “LAN” command set detailed in Section 12.

wlan.associated

type: getvar

This parameter refers to whether the printer is associated with an access point (AP).

getvar result	This will return “yes” if the printer is associated and “no” if the printer is not associated with the access point.	
Example	Description	This command instructs the printer to respond with yes or no
	Syntax	! U1 getvar “wlan.associated”
	Result	“yes”

wlan.bssid

type: getvar

Returns the MAC address of the access point with which the printer is associated. This value is only relevant when “wlan.associated” returns “yes”.

getvar result	MAC address of access point	
Example	Description	Get the MAC address of the AP
	Syntax	! U1 getvar “wlan.bssid”
	Result	“00:d0:f2:57:13:3d”

wlan.current_essid

type: getvar

This parameter refers to the eSSID of the network currently associated with the printer. The eSSID is returned only if the printer is associated with an access point.

getvar result	This will return the eSSID that the printer is associated with in Infrastructure mode. When the printer is in Ad Hoc mode it will return the stored eSSID. (For more information on Infrastructure and Ad Hoc modes see "wlan.operating_mode".)	
Example	Description	This command instructs the printer respond with the current eSSID
	Syntax	! U1 getvar "wlan.current_essid"
	Result	"ZebraNet"



Note: This parameter is not supported in units using a Frequency Hopping Spread Spectrum (FHSS) radio. The "wlan.essid" parameter can be used instead.

wlan.current_tx_rate

type: getvar

This parameter retrieves the current transmit (tx) rate (mbps). This rate will vary depending on several factors such as the Access Point's settings and the printer's distance from the AP. Possible values are "1", "2", "5.5", and "11".

getvar result	Current transmit rate	
Example	Description	This command instructs the printer to respond with the current tx rate
	Syntax	!U1 getvar "wlan.current_tx_rate"
	Result	"11"

wlan.auth_type

type: getvar;setvar

This parameter selects the authentication service to be used between the printer and the Access Point. Open System and Shared Key are the two types of authentication services.

getvar result	Current authentication type.	
Example	Description	This command instructs the printer to retrieve the current authentication type
	Syntax	! U1 getvar "wlan.auth_type"
	Result	"open"
setvar choices	"open", "shared"	
	Default	"open"
Example	Description	This command instructs the printer to set the authentication type to Shared Key
	Syntax	! U1 setvar "wlan.auth_type" "shared"
	Result	The authentication type will be set to Shared Key after power cycle

wlan.encryption_index

type getvar; setvar

This parameter refers to the WEP (Wired Equivalent Privacy) encryption key index. This parameter determines which one of the four encryption keys is to be used by the client (printer).

getvar result	This will return the current encryption key index that is in use by the printer.	
Example	Description	This command instructs the printer respond with the encryption key index value
	Syntax	! U1 getvar "wlan.encryption_index"
	Result	"1"
setvar choices	"1", "2", "3", or "4"	
	Default	"1"
Example	Description	Instructs the printer to set the encryption key index
	Syntax	! U1 setvar "wlan.encryption_index" "1"
	Result	Sets the encryption key index to 1

wlan.encryption_key1

type: getvar; setvar

This parameter refers to the first indexed WEP encryption key. The WEP encryption key is a hexadecimal string that is either 10 or 26 characters long depending on encryption method (40-bit or 128 bit). This key should match the wireless network WEP encryption key 1.

getvar result	This will return the encryption first encryption key.	
Example	Description	This command instructs the printer respond with the encryption key value. (This example assumes that the printer is using 40-bit encryption.)
	Syntax	! U1 getvar "wlan.encryption_key1"
	Result	"0000000000"
setvar choices	10 hexadecimal characters for 40-bit encryption; 26 hexadecimal characters for 128-bit encryption	
	Default	All zeros
Example	Description	This command instructs the printer to set the encryption key value. (This example assumes that the printer is using 40-bit encryption.)
	Syntax	! U1 setvar "wlan.encryption_key1" "A1B2C3D4F5"
	Result	The first encryption key will be set to A1B2C3D4F5

wlan.encryption_key2

type: getvar; setvar

This parameter refers to the second indexed WEP encryption key. The WEP encryption key is a hexadecimal string that is either 10 or 26 characters long depending on encryption method (40-bit or 128 bit). This key should match the wireless network WEP encryption key 2.

getvar result	This will return the encryption second encryption key.	
Example	Description	This command instructs the printer respond with the encryption key value. (This example assumes that the printer is using 40-bit encryption.)
	Syntax	! U1 getvar "wlan.encryption_key2"
	Result	"0000000000"
setvar choices	10 hexadecimal characters for 40-bit encryption; 26 hexadecimal character for 128-bit encryption	
	Default	All zeros
Example	Description	This command instructs the printer to set the encryption key value. (This example assumes that the printer is using 40-bit encryption.)
	Syntax	! U1 setvar "wlan.encryption_key2" "A1B2C3D4F5"
	Result	The first encryption key will be set to A1B2C3D4F5

wlan.encryption_key3

type: getvar; setvar

This parameter refers to the third indexed WEP encryption key. The WEP encryption key is a hexadecimal string that is either 10 or 26 characters long depending on encryption method (40-bit or 128 bit). This key should match the wireless network WEP encryption key 3.

getvar result	This will return the encryption third encryption key.	
Example	Description	This command instructs the printer respond with the encryption key value. (This example assumes that the printer is using 40-bit encryption.)
	Syntax	! U1 getvar "wlan.encryption_key3"
	Result	"0000000000"
setvar choices	10 hexadecimal characters for 40-bit encryption; 26 hexadecimal character for 128-bit encryption	
	Default	All zeros
Example	Description	This command instructs the printer to set the encryption key value. (This example assumes that the printer is using 40-bit encryption.)
	Syntax	! U1 setvar "wlan.encryption_key3" "A1B2C3D4F5"
	Result	The third encryption key will be set to A1B2C3D4F5

wlan.encryption_key4

type: getvar; setvar

This parameter refers to the fourth indexed WEP encryption key. The WEP encryption key is a hexadecimal string that is either 10 or 26 characters long depending on encryption method (40-bit or 128 bit). This key should match the wireless network WEP encryption key 4.

getvar result	This will return the encryption fourth encryption key.	
Example	Description	This command instructs the printer respond with the encryption key value. (This example assumes that the printer is using 40-bit encryption.)
	Syntax	! U1 getvar "wlan.encryption_key4"
	Result	"0000000000"
setvar choices	10 hexadecimal characters for 40-bit encryption; 26 hexadecimal character for 128-bit encryption	
	Default	All zeros
Example	Description	This command instructs the printer to set the encryption key value. (This example assumes that the printer is using 40-bit encryption.)
	Syntax	! U1 setvar "wlan.encryption_key4" "A1B2C3D4F5"
	Result	The fourth encryption key will be set to A1B2C3D4F5

wlan.encryption_mode

type: getvar; setvar

This parameter refers to WEP (Wired Equivalent Privacy) encryption. This parameter enables and disables the printer's WEP encryption. When using WEP encryption make sure that the encryption key matches the wireless network WEP encryption key.



NOTES: 1. When using encryption, make sure that the encryption key is set properly. The encryption key and the encryption index should match the encryption key and encryption index of the access point (or the other network devices when in AD HOC mode). When all settings are changed the printer must be wlan.kerberos.mode
 2. 128 bit encryption is not supported on units with Frequency Hopping Spread Spectrum (FHSS) radios. 40 bit encryption will be used instead.

getvar result	Returns the type of encryption that is currently being used by the printer.	
Example	Description	Instructs the printer to respond with the encryption value.
	Syntax	! U1 getvar "wlan.encryption_mode"
	Result	"40-bit"
setvar choices	"off", "40-bit", and "128-bit"	
	Default	"off"
Example	Description	This command instructs the printer to turn encryption off
	Syntax	! U1 setvar "wlan.encryption_mode" "off"
	Result	Sets the encryption mode to off

wlan.essid

type: getvar; setvar

This parameter refers to the printer's stored eSSID. Setting the eSSID to "" (no character between quote marks) will set the printer in a "broadcast" mode, where it will search for an access point for association.

Example: ! U1 setvar "wlan.essid" ""

getvar result	Returns the stored eSSID.	
Example	Description	Instructs the printer to respond with the stored eSSID value
	Syntax	! U1 getvar "wlan.essid"
	Result	"247"
setvar choices	26 character text string (can be alpha-numeric)	
	Default	"247"
Example	Description	Instructs the printer to set the eSSID to ZebraNet
	Syntax	! U1 setvar "wlan.essid" "ZebraNet"
	Result	This will set the eSSID to ZebraNet

wlan.leap_mode

type: getvar; setvar

This parameter refers to Cisco LEAP (Lightweight Extensible Authentication Protocol). LEAP provides secure mutual authentication for a wireless client through a Cisco Aironet Access Point, based on user information stored on a backend RADIUS (Remote Authentication in Dial-Up User Service) /AAA (Authentication, Authorization, and Accounting) server.



This parameter is not supported on units with a Frequency Hopping Spread Spectrum (FHSS) radio.

getvar result	Returns the LEAP mode.	
Example	Description	This command instructs the printer to respond with the LEAP mode
	Syntax	! U1 getvar "wlan.leap_mode"
	Result	"off"
setvar choices	"on", "off"	
	Default	"off"
Example	Description	This command instructs the printer to turn on LEAP mode
	Syntax	! U1 setvar "wlan.leap_mode" "on"
	Result	Sets the LEAP mode to "on"

wlan.leap_password

type: getvar; setvar

This parameter refers to the LEAP password. The password must correspond to a user profile established on the RADIUS/AAA server in use.



This parameter is not supported on units with a Frequency Hopping Spread Spectrum (FHSS) radio.

getvar result	Returns the LEAP password.	
Example	Description	Instructs the printer to respond with the LEAP password
	Syntax	! U1 getvar "wlan.leap_password"
	Result	"password"
setvar choices	4-32 ASCII characters	
	Default	"password"
Example	Description	Instructs the printer to set the LEAP password to "password"
	Syntax	! U1 setvar "wlan.leap_password" "password"
	Result	The LEAP password will be set to "password"

wlan.leap_username

type: getvar; setvar

This parameter refers to the LEAP user name. The user name must correspond to a user profile established on the RADIUS/AAA server in use.



This parameter is not supported on units with a Frequency Hopping Spread Spectrum (FHSS) radio.

getvar result	This will return the LEAP user name	
Example	Description	This command instructs the printer to respond with the LEAP user name
	Syntax	! U1 getvar "wlan.leap_username"
	Result	"user"
setvar choices	0-32 ASCII characters.	
	Default	"user"
Example	Description	This command instructs the printer to set the LEAP user name to "user"
	Syntax	! U1 setvar "wlan.leap_username" "user"
	Result	The LEAP user name will be set to "user"

wlan.operating_mode

type: getvar; setvar

This parameter refers to the network operating mode. Infrastructure mode means that the printer will try to associate with an access point. Ad hoc mode means that the printer will try to associate with a device other than an access point and join a stand alone network.

To use “ad hoc” mode configure the printer as follows:

- Set the eSSID to the new network’s eSSID.
- Turn off the DHCP and assign an IP Address to the printer.
- Set the Subnet mask on the printer to the new network’s Subnet mask.
- Change the operating mode on the printer to “ad hoc”.



The “ad hoc” setvar option is not supported on units with a Frequency Hopping Spread Spectrum (FHSS) radio.

getvar result	Returns the current operating mode.	
Example	Description	Instructs the printer to respond with the value of the network-mode
	Syntax	! U1 getvar “wlan.operating_mode”
	Result	“infrastructure”
setvar choices	“ad hoc”, “infrastructure”	
	Default	“infrastructure”
Example	Description	This command instructs the printer to change the network-mode to infrastructure
	Syntax	! U1 setvar “wlan.operating_mode” “infrastructure”
	Result	This will set the printer’s operating mode to infrastructure

wlan.power_save

type: getvar ; setvar

This parameter refers to the power save modes which affect power consumption of the network radio card in the printer. Two radio cards are currently supported: SYMBOL and CISCO. The SYMBOL radio has a range of power save modes from "1" (best throughput) to "best" (best power save).

The CISCO radio has a fast power save mode and a full power save mode ("best"). Any setting other than "best" ("1"- "4") sets the radio to fast power save and is not scalable. The "off" setting puts either radio into CAM (Constant Awake Mode).



This parameter is not supported on units with a Frequency Hopping Spread Spectrum (FHSS) radio as of this writing. Support is pending.

getvar result	The printer responds with current power save mode setting.	
Example	Description	Instructs the printer to respond with the value of the wlan.power_save mode
	Syntax	! U1 getvar "wlan.power_save"
	Result	"off"
setvar choices	"off", "1", "2", "3", "4", "best"	
	Default	"best"
Example	Description	Instructs the printer to set the value of the power save mode
	Syntax	! U1 setvar "wlan.power_save" "2"
	Result	Changes the power save mode to "2" if a Symbol radio is used, or fast power save mode if a Cisco radio is used

wlan.preamble

type: getvar; setvar

This parameter selects the radio preamble length to be used.



This parameter is not supported on units with a Frequency Hopping Spread Spectrum (FHSS) radio.

getvar result	Current preamble length.	
Example	Description	This command instructs the printer to retrieve the current preamble length
	Syntax	! U1 getvar "wlan.preamble"
	Result	"long"
setvar choices	"long", "short"	
	Default	"long"
Example	Description	This command instructs the printer to set the authentication type to short
	Syntax	! U1 setvar "wlan.preamble" "short"
	Result	The preamble length will be set to short after power cycle

wlan.signal_strength

type: getvar

Returns the signal strength of the connection to the access point as a percentage value between zero (not connected) and 100 (strongest signal). Values below 40% represent a very poor signal and radio communication will not be reliable.

getvar result	value between 0 and 100	
Example	Description	Queries the current signal strength
	Syntax	! U1 getvar "wlan.signal_strength"
	Result	"100"

wlan.station_name

type: getvar

This parameter refers to the station name. The station name reported is the printer's serial number.

getvar result	The printer will return its station name. The station name is the printer's serial number.	
Example	Description	Instructs the printer to respond with the value of its station name
	Syntax	! U1 getvar "wlan.station_name"
	Result	"XXQT02-02-0001"

wlan.tx_rate

type: getvar; setvar

This parameter refers to specifying the wireless transmit rate.

getvar result	Wireless transmit rate	
Example	Description	Gets wireless transmit rate
	Syntax	! U1 getvar "wlan.tx_rate"
	Result	"all"
setvar choices	Values: 1, 2, 5.5, 11, all	
	Default	"all"
Example	Description	Sets wireless transmit rate
	Syntax	! U1 setvar "wlan.tx_rate" "all"

wlan.firmware_version

type: getvar

This parameter refers to the firmware version of the wireless radio card.

getvar result	Current firmware version of wireless radio card.	
Example	Description	Instructs the printer to respond with the current version of the wireless radio card firmware.
	Syntax	! U1 getvar "wlan.firmware_version"
	Result	"F3.91-69"

wlan.roam.signal

type: getvar; setvar

This parameter refers to specifying the wireless roam signal.

getvar result	Wireless roam signal	
Example	Description	Gets specified wireless roam signal
	Syntax	! U1 getvar "wlan.roam.signal"
	Result	"50"
setvar choices	Values: decimal values between 1 and 75 inclusive	
	Default	"50"
Example	Description	Sets wireless roam signal
	Syntax	! U1 setvar "wlan.roam.signal" "50"

wlan.roam.interval

type: getvar; setvar

This parameter refers to specifying the wireless roam interval.

getvar result	Specified wireless roam interval	
Example	Description	Gets specified roam interval
	Syntax	! U1 getvar "wlan.roam.interval"
	Result	"20"
setvar choices	Values: decimal values between 5 and 255 inclusive	
	Default	"20"
Example	Description	Sets wireless roam interval
	Syntax	! U1 setvar "wlan.roam.intervall" "20"

wlan.roam.interchannel_delay

type: getvar; setvar

This parameter sets how long of a delay before scanning the next channel when roaming.

getvar result	Set delay time before scanning	
Example	Description	Gets current set delay time before scanning the next channel when roaming
	Syntax	! U1 getvar "wlan.roam.interchannel_delay"
	Result	"400"
setvar choices	Values: 10 to 3000	
	Default	"400"
Example	Description	Sets delay time before scanning the next channel when roaming
	Syntax	! U1 setvar "wlan.roam.interchannel_delay" "400"

wlan.roam.max_chan_scan_time

type: getvar; setvar

This parameter sets how long the radio waits on a channel looking for probe responses.

getvar result	Time radio waits on a channel looking for probe responses	
Example	Description	Gets current setting for how long radio waits on a channel looking for probe responses
	Syntax	! U1 getvar "wlan.roam.max_chan_scan_time"
	Result	"100"
setvar choices	Values: 10 to 500	
	Default	"100"
Example	Description	Sets how long the radio waits on a channel looking for probe responses.
	Syntax	! U1 setvar "wlan.roam.max_chan_scan_time" "100"

wlan.channel

type: getvar

This parameter retrieves the current WI-FI channel the printer is using.

getvar result	Current WI-FI channel.	
Example	Description	Gets the printer's current WI-FI channel.
	Syntax	! U1 getvar "wlan.channel"

wlan.wpa.psk

type: getvar; setvar

This parameter specifies the pre-shared key (PSK) value to use when the WPA authentication is set to PSK.

getvar result	Wireless channel mask value	
Example	Description	Gets pre-shared key value
	Syntax	! U1 getvar "wlan.wpa.psk"
	Result	"64 zeros"
setvar choices	Values: 64 Hexadecimal digits	
	Default	"64 zeros" (0000000...)
Example	Description	Sets pre-shared key value
	Syntax	! U1 setvar "wlan.wpa.psk" "00000..."

wlan.adhocchannel

type: getvar; setvar

This parameter refers to specifying the wireless channel for adhoc channel.

getvar result	Wireless channel for adhoc channel mode	
Example	Description	Gets wireless channel for adhoc channel mode
	Syntax	! U1 getvar "wlan.adhocchannel"
	Result	"1"
setvar choices	Values: decimal value between 1 and 16 inclusive	
	Default	"1"
Example	Description	Sets wireless channel for adhoc channel mode
	Syntax	! U1 setvar "wlan.adhocchannel" "1"

wlan.adhocautomode

type: getvar; setvar

This parameter refers to enabling or disabling the adhoc auto mode.

getvar result	Adhoc auto mode status	
Example	Description	Gets adhoc auto mode status
	Syntax	! U1 getvar "wlan.adhocautomode"
	Result	"off"
setvar choices	Values: "on" = adhoc auto mode enabled; "off" = adhoc auto mode disabled	
	Default	"off"
Example	Description	Sets adhoc auto mode status
	Syntax	! U1 setvar "wlan.adhocautomode" "off"

wlan.ip.addr

type: getvar; setvar

This parameter allows you to get or set the wireless print server's IP address.

getvar result	Wireless print server IP address	
Example	Description	Gets current wireless print server IP address
	Syntax	! U1 getvar "wlan.ip.addr"
	Result	"0.0.0.0"
setvar choices	Values: any valid IP address.	
	Default	"0.0.0.0"
Example	Description	Sets current wireless print server IP address upon power up
	Syntax	! U1 setvar "wlan.ip.addr" "0.0.0.0"

wlan.ip.netmask

type: getvar; setvar

This parameter refers to the wireless print server's subnet mask address. This value is ignored if the IP protocol is not set to permanent.

getvar result	Wireless print server's subnet mask	
Example	Description	Gets wireless print server's subnet mask
	Syntax	! U1 getvar "wlan.ip.netmask"
	Result	"255.255.255.0"
setvar choices	Values: any valid subnet mask.	
	Default	"255.255.255.0"
Example	Description	Sets wireless print server's subset mask
	Syntax	! U1 setvar "wlan.ip.netmask" "255.255.255.0"

wlan.ip.gateway

type: getvar; setvar

This parameter instructs the printer to change the wireless print server's gateway address.

getvar result	Wireless print server's gateway address	
Example	Description	Gets wireless print server's gateway address
	Syntax	! U1 getvar "wlan.ip.gateway"
	Result	"0.0.0.0"
setvar choices	Values: any valid gateway address	
	Default	"0.0.0.0"
Example	Description	Sets wireless print server's gateway address
	Syntax	! U1 setvar "wlan.ip.gateway" "0.0.0.0"

wlan.ip.port

type: getvar; setvar

This parameter refers to the wireless print server's port number that the TCP print service is listening on. Normal TCP communications from the host should be directed to this port.

getvar result	Wireless channel mask value	
Example	Description	Gets wireless print server's TCP/UDP port number
	Syntax	! U1 getvar "wlan.ip.port"
	Result	"9100"
setvar choices	Values: 1-65535 (excluding any ports currently used by other services, such as 21, 23, 80, and 515).	
	Default	"9100"
Example	Description	Sets wireless print server's TCP/UDP port number
	Syntax	! U1 setvar "wlan.ip.port" "9100"

wlan.ip.arp_interval

type: getvar; setvar

This parameter allows you to specify the Address Resolution Protocol (ARP) interval or the ARP cache time out for the wireless print server.

getvar result	ARP interval or ARP cache time out value	
Example	Description	Gets ARP interval or ARP cache time out value (in seconds)
	Syntax	! U1 getvar "wlan.ip.arp_interval"
	Result	"0"
setvar choices	Values: 0-30 seconds	
	Default	"0"
Example	Description	Sets wireless channel mask value
	Syntax	! U1 setvar "wlan.ip.arp_interval" "0"

wlan.ip.dhcp.requests_per_session

type: getvar; setvar

This parameter retrieves the maximum amount of DHCP discover requests for a single DHCP session on the wireless print server.

getvar result	Max amount of DHCP discover requests	
Example	Description	Gets max amount of DHCP discover requests for a single DHCP session
	Syntax	! U1 getvar "wlan.ip.dhcp.requests_per_session"
	Result	"2"
setvar choices	Values: "1" through "10"	
	Default	"2"
Example	Description	Sets max amount of DHCP discover requests for a single DHCP session.
	Syntax	! U1 setvar "wlan.ip.dhcp.requests_per_session" "2"

wlan.ip.dhcp.request_timeout

type: getvar; setvar

This parameter sets the maximum time (in seconds) to wait for a response to a DHCP discovery request on the wireless print server.

getvar result	Max response time (in seconds) to a DHCP discovery request	
Example	Description	Gets the maximum response time (in seconds) to a DHCP discovery request on the wireless print server.
	Syntax	! U1 getvar "wlan.ip.dhcp.request_timeout"
	Result	"2"
setvar choices	Values: "2" through "30"	
	Default	"2"
Example	Description	Sets the maximum response time (in seconds) to a DHCP discovery request on the wireless print server.
	Syntax	! U1 setvar "wlan.ip.dhcp.request_timeout" "2"

wlan.ip.dhcp.session_interval

type: getvar; setvar

This parameter retrieves how long it will take for a DHCP session to time out before a new DHCP session begins on the wireless print server.

getvar result	Max response time (in seconds) to a DHCP discovery request	
Example	Description	Gets the current DHCP session time out.
	Syntax	! U1 getvar "wlan.ip.dhcp.session_interval"
	Result	"10"
setvar choices	Values: "0" through "60"	
	Default	"10"
Example	Description	Sets the DHCP session time out.
	Syntax	! U1 setvar "wlan.ip.dhcp.session_interval" "10"

wlan.ip.dhcp.lease.length

type: getvar

This parameter retrieves the original length (in seconds) of the DHCP lease on the wireless print server.

getvar result	Original length of DHCP lease.	
Example	Description	Gets the original length (in seconds) of the DHCP lease on the wireless print server..
	Syntax	! U1 getvar "wlan.ip.dhcp.lease.length"

wlan.ip.dhcp.lease.time_left

type: getvar

This parameter retrieves the time (in seconds) left in the current DHCP lease on the wireless print server.

getvar result	Time left in DHCP lease.	
Example	Description	Gets the time left (in seconds) in the DHCP lease on the wireless print server.
	Syntax	! U1 getvar "wlan.ip.dhcp.lease.time_left"

wlan.ip.dhcp.lease.server

type: getvar

This parameter retrieves the address of the print server that provided the DHCP lease on the wireless print server.

getvar result	Print server address that provided DHCP lease.	
Example	Description	Gets the print server address that provided DHCP lease on wireless print server.
	Syntax	! U1 getvar "wlan.ip.dhcp.lease.server"

wlan.ip.dhcp.lease.last_attempt

type: getvar

This parameter retrieves the last time a DHCP request was sent from the wireless print server.

getvar result	Last time DHCP request was sent from wireless print server.	
Example	Description	Gets the last time DHCP request was sent from wireless print server.
	Syntax	! U1 getvar "wlan.ip.dhcp.lease.last_attempt"

wlan.ip.dhcp.cache_ip

type: getvar; setvar

This parameter enables or disables the IP cache of the wireless print server.

getvar result	Status of IP cache.	
Example	Description	Gets the status of the IP cache.
	Syntax	! U1 getvar "wlan.ip.dhcp.cache_ip"
	Result	"off"
setvar choices	Values: "on" = enabled; "off" = disabled	
	Default	"off"
Example	Description	Sets the status of the IP cache.
	Syntax	! U1 setvar "wlan.ip.dhcp.cache_ip" "off"

wlan.ip.dhcp.cid_type

type: getvar; setvar

This parameter setting defines the type of client identifier (DHCP option 61) that will be sent of DHCP is enabled on the wireless print server. A value of "1" means the type of "Ethernet" and the printer's MAC address will be used. A value of "0" or "2" means the client identifier sent will be "wlan.ip.dhcp.cid_prefix" concatenated with "wlan.ip.dhcp.cid_suffix".

getvar result	Client identifier type for wireless print server.	
Example	Description	Gets the client identifier type for the wireless print server.
	Syntax	! U1 getvar "wlan.ip.dhcp.cid_type"
	Result	"1"
setvar choices	Values: "0" = ASCII string; "1" = wireless radio card's MAC address; "2" = HEX value	
	Default	"1"
Example	Description	Sets the "synthetic" client identifier for the wireless print server.
	Syntax	! U1 setvar "wlan.ip.dhcp.cid_type" "1"

wlan.ip.dhcp.cid_prefix

type: getvar; setvar

This parameter defines the prefix to be prepended to the DHCP client identifier (option 61) when DHCP is enabled on the wireless print server and "wlan.ip.dhcp.cid_type" is set to "0" or "2".

getvar result	CID prefix of wireless print server.	
Example	Description	Gets the client identifier (CID) prefix of the wireless print server.
	Syntax	! U1 getvar "wlan.ip.dhcp.cid_prefix"
	Result	""
setvar choices	Values: Any text string up to 10 characters if the CID type is ASCII, or 20 characters if the CID type is hexadecimal.	
	Default	""
Example	Description	Sets the CID prefix of the wireless print server.
	Syntax	! U1 setvar "wlan.ip.dhcp.cid_prefix" "value"

wlan.ip.dhcp.cid_enable

type: getvar; setvar

This parameter determines if DHCP (option 61) is turned on or off of the wireless print server.

getvar result	Status of the CID.	
Example	Description	Gets the status of the client identifier of the wireless print server.
	Syntax	! U1 getvar "wlan.ip.dhcp.cid_enable"
	Result	"off"
setvar choices	Values: "off" = CID is turned off; "on" = CID is turned on	
	Default	"off"
Example	Description	Sets the status of the client identifier on the wireless print server.
	Syntax	! U1 setvar "wlan.ip.dhcp.cid_enable" "off"

wlan.ip.dhcp.cid_suffix

type: getvar; setvar

This parameter defines the unique suffix to be used as the client identifier (option 61) if DHCP is enabled on the wireless print server and "wlan.ip.dhcp.cid_type" is set to "0" or "2".

getvar result	CID suffix of wireless print server.	
Example	Description	Gets the client identifier suffix of the wireless print server.
	Syntax	! U1 getvar "wlan.ip.dhcp.cid_suffix"
	Result	""
setvar choices	Values: The maximum length of a value allowed is 60 ASCII characters when the CID type is ASCII, or 120 hexadecimal values when the CID type is hexadecimal.	
	Default	""
Example	Description	Sets the CID prefix of the wireless print server.
	Syntax	! U1 setvar "wlan.ip.dhcp.cid_suffix" "value"

wlan.ip.dhcp.cid_all

type: getvar; setvar

This parameter defines the entire client identifier (option 61) if DHCP is enabled on the wireless print server and "wlan.ip.dhcp.cid_type" is set to "0" or "2". The MAC address is used if the type is set to "1".

getvar result	CID prefix and suffix of wireless print server.	
Example	Description	Gets the client identifier prefix and suffix of the wireless print server.
	Syntax	! U1 getvar "wlan.ip.dhcp.cid_all"
	Result	""
setvar choices	Values: The maximum length of a value allowed is 60 ASCII characters when the CID type is ASCII, or 120 hexadecimal values when the CID type is hexadecimal.	
	Default	""
Example	Description	Sets the CID prefix and suffix of the wireless print server. The prefix gets cleared and the suffix contains the entire client identifier.
	Syntax	! U1 setvar "wlan.ip.dhcp.cid_all" "value"

wlan.ip.dhcp.option12

type: getvar; setvar

This parameter specifies if the DHCP option 12 (host name) is on or off in the discovery packet that is sent from the wireless print server.

getvar result	Status of DHCP option 12.	
Example	Description	Gets the status of the DHCP option 12 (host name) as being either on or off in the discovery packet that is sent from the wireless print server.
	Syntax	! U1 getvar "wlan.ip.dhcp.option12"
	Result	"on"
setvar choices	Values: "on" = turns on option 12; "off" = turns off option 12	
	Default	"on"
Example	Description	Sets the DHCP option 12 to on or off in the discovery packet that is sent from the wireless print server.
	Syntax	! U1 setvar "wlan.ip.dhcp.option12" "on"

wlan.ip.dhcp.option12_format

type: getvar; setvar

This parameter specifies the format of the option 12 value to be used in the discovery packet of the wireless print server.

getvar result	Format of option 12 value to be used in discovery packet.	
Example	Description	Gets the format of option 12 value to be used in the discovery packet of the wireless print server.
	Syntax	! U1 getvar "wlan.ip.dhcp.option12_format"
	Result	""
setvar choices	Values: string	
	Default	""
Example	Description	Sets the format of option 12 value to be used in the discovery packet of the wireless print server.
	Syntax	! U1 setvar "wlan.ip.dhcp.option12_format" "value"

wlan.ip.dhcp.option12_value

type: getvar

This parameter retrieves the actual value which will be used in the discovery packet of the wireless print server.

getvar result	Print server address that provided DHCP lease.	
Example	Description	Gets the actual value which will be used in the discovery packet of the wireless print server.
	Syntax	! U1 getvar "wlan.ip.dhcp.option12_value"

wlan.ip.protocol

type: getvar; setvar

This parameter configures the IP addressing method used by the wireless print server.

getvar result	IP protocol value.	
Example	Description	Gets the value of the currently selected IP protocol used by the wireless print server.
	Syntax	! U1 getvar "wlan.ip.protocol"
	Result	"all"
setvar choices	Values: "bootp" = uses the standard bootp addressing method to obtain an IP address and configuration; "dhcp" = uses the standard dhcp addressing method to obtain an IP address and configuration for a server specified period of time; "rarp" = uses the standard rarp addressing method to obtain an IP address; "glean only" = uses the IP address from a PING packet that is sent to its hardware address (unicast address); "permanent" = uses static values assigned through other commands; "all" = tries all of the dynamic addressing methods, not permanent, to obtain an IP address.	
	Default	"all"
Example	Description	Sets the IP addressing method used by the wireless print server.
	Syntax	! U1 setvar "wlan.ip.protocol" "all"

wlan.ip.default_addr_enable

type: getvar; setvar

This parameter allows you to default the wireless print server's IP address.

getvar result	Status of default IP address feature.	
Example	Description	Gets the status of the setting of the wireless print server's default IP address feature.
	Syntax	! U1 getvar "wlan.ip.default_addr_enable"
	Result	"on"
setvar choices	Values: "on" = enabled; "off" = disabled	
	Default	"on"
Example	Description	Sets the printer's default address if no address is provided through DHCP or BOOTP. If you do not assign an IP address after 2 minutes, the 10/100 Internal PS defaults to IP address 192.168.254.254.
	Syntax	! U1 setvar "wlan.ip.default_addr_enable" "on"

wlan.ip.timeout.enable

type: getvar; setvar

This parameter refers to enabling the connection timeout on the wireless print server. For this to take effect, the print server must be reset.

getvar result	Timeout checking information, i.e. on or off.	
Example	Description	Gets information on whether the timeout checking is enabled on the wireless print server.
	Syntax	! U1 getvar "wlan.ip.timeout.enable"
	Result	"on"
setvar choices	Values: "off" = turns off the connection checking; "on" = turns on the connection checking	
	Default	"on"
Example	Description	Sets the timeout checking to enabled or disabled on the wireless print server.
	Syntax	! U1 setvar "wlan.ip.timeout.enable" "on"

wlan.ip.timeout.value

type: getvar; setvar

This parameter refers to the number of seconds before the connection times out for the wireless print server.

getvar result	Time before connection times out.	
Example	Description	Gets the time (in seconds) before the connection times out.
	Syntax	! U1 getvar "wlan.ip.timeout.value"
	Result	"300"
setvar choices	Values: "1" through "3600"	
	Default	"300"
Example	Description	Sets the time value (in seconds) of the wireless print server before the connection times out.
	Syntax	! U1 setvar "wlan.ip.timeout.value" "300"

wlan.keep_alive.enable

type: getvar; setvar

This parameter controls the printer's ability to send the link service access point (LSAP) packet to the access point on a user-controllable interval. This feature is included to accommodate access points that require a regular confirmation that wireless clients are still active.

getvar result	The "wlan.keep_alive.enable" setting.	
Example	Description	Gets the printer to respond with the "wlan.keep_alive.enable" setting.
	Syntax	! U1 getvar "wlan.keep_alive.enable"
	Result	"on"
setvar choices	Values: "on" = turns on keep_alive; "off" = turns off keep_alive	
	Default	"on"
Example	Description	Sets the LSAP packet to the access point on a user-controllable interval.
	Syntax	! U1 setvar "wlan.keep_alive.enable" "on"

wlan.keep_alive.timeout

type: getvar; setvar

This parameter manages the interval at which the LSAP packet is sent.

getvar result	The "wlan.keep_alive.timeout" setting.	
Example	Description	Gets the printer to respond with the "wlan.keep_alive.timeout" interval value.
	Syntax	! U1 getvar "wlan.keep_alive.timeout"
	Result	"15"
setvar choices	Values: 5 to 300 seconds	
	Default	"15"
Example	Description	Sets the interval at which the printer sends the "wlan.keep_alive.timeout" packet.
	Syntax	! U1 setvar "wlan.keep_alive.timeout" "15"

wlan.wep.index

type: getvar; setvar

This parameter refers to the Wired Equivalent Privacy (WEP) encryption key index. This printer setting determines which one of the four encryption keys is to be used by the client (printer).

getvar result	The encryption key index.	
Example	Description	Gets the printer to respond with the encryption key index.
	Syntax	! U1 getvar "wlan.wep.index"
	Result	"1"
setvar choices	Values: "1" = enables encryption key 1; "2" = enables encryption key 2; "3" = enables encryption key 3; "4" = enables encryption key 4	
	Default	"1"
Example	Description	Sets the encryption key index.
	Syntax	! U1 setvar "wlan.wep.index" "1"

wlan.wep.auth_type

type: getvar; setvar

For the WEP security type, this parameter selects the authentication type to be used between the printer and the access point. The authentication types are open system and shared key.

getvar result	The WEP authentication type.	
Example	Description	Gets the printer to retrieve the current WEP authentication type.
	Syntax	! U1 getvar "wlan.wep.auth_type"
	Result	"open"
setvar choices	Values: "open" = enables the open authentication type; "shared" = enables the shared authentication type	
	Default	"open"
Example	Description	Sets the WEP authentication type.
	Syntax	! U1 setvar "wlan.wep.auth_type" "open"

wlan.wep.key1

type: getvar; setvar

This parameter refers to the first indexed WEP encryption key. The WEP encryption key is a hexadecimal or string value. This key should match the wireless network WEP encryption key 1.

getvar result	The encryption key.	
Example	Description	Gets the printer to respond with the encryption key.
	Syntax	! U1 getvar "wlan.wep.key1"
	Result	All zeros
setvar choices	Values: 10 hexadecimal characters for 40-bit encryption; 26 hexadecimal characters for 128-bit encryption	
	Default	All zeros
Example	Description	Sets the encryption key.
	Syntax	! U1 setvar "wlan.wep.key1" "value"

wlan.wep.key2

type: getvar; setvar

This parameter refers to the second indexed WEP encryption key. The WEP encryption key is a hexadecimal or string value. This key should match the wireless network WEP encryption key 2.

getvar result	The encryption key.	
Example	Description	Gets the printer to respond with the encryption key.
	Syntax	! U1 getvar "wlan.wep.key2"
	Result	All zeros
setvar choices	Values: 10 hexadecimal characters for 40-bit encryption; 26 hexadecimal characters for 128-bit encryption	
	Default	All zeros
Example	Description	Sets the encryption key.
	Syntax	! U1 setvar "wlan.wep.key2" "value"

wlan.wep.key3

type: getvar; setvar

This parameter refers to the second indexed WEP encryption key. The WEP encryption key is a hexadecimal or string value. This key should match the wireless network WEP encryption key 3.

getvar result	The encryption key.	
Example	Description	Gets the printer to respond with the encryption key.
	Syntax	! U1 getvar "wlan.wep.key3"
	Result	All zeros (For protection a single "*" prints)
setvar choices	Values: 10 hexadecimal characters for 40-bit encryption; 26 hexadecimal characters for 128-bit encryption	
	Default	All zeros
Example	Description	Sets the encryption key.
	Syntax	! U1 setvar "wlan.wep.key3" "value"

wlan.wep.key4

type: getvar; setvar

This parameter refers to the second indexed WEP encryption key. The WEP encryption key is a hexadecimal or string value. This key should match the wireless network WEP encryption key 4.

getvar result	The encryption key.	
Example	Description	Gets the printer to respond with the encryption key.
	Syntax	! U1 getvar "wlan.wep.key4"
	Result	All zeros (For protection a single "*" prints)
setvar choices	Values: 10 hexadecimal characters for 40-bit encryption; 26 hexadecimal characters for 128-bit encryption	
	Default	All zeros
Example	Description	Sets the encryption key.
	Syntax	! U1 setvar "wlan.wep.key4" "value"

wlan.security

type: getvar; setvar

This parameter allows you to specify both the wireless encryption type and authentication type in one command.

getvar result	The wireless security value.	
Example	Description	Gets the printer to return the name and not the type. If an invalid security mode is entered the printer returns Invalid Mode.
	Syntax	! U1 getvar "wlan.security"
	Result	"1"
setvar choices	Values: "1" = no wireless security or "none"; "2" = WEP 40-bit or "wep 40-bit"; "3" = WEP 128-bit or "wep 128-bit"; "4" = EAP-TLS or "eap-tls"; "5" = EAP-TTLS or "eap-ttls"; "6" = EAP-FAST or "eap-fast"; "7" = PEAP or "peap"; "8" = LEAP or "leap"; "9" = WPA PSK or "wpa psk"; "10" = WPA EAP-TLS or "wpa eap-tls"; "11" = WPA EAP-TTLS or "wpa eap-ttls"; "12" = WPA EAP-FAST or "wpa eap-fast"; "13" = WPA PEAP or "wpa peap"; "14" = WPA LEAP or "wpa leap"; "15" = Kerberos or "kerberos"	
	Default	"1"
Example	Description	Sets the wireless security value.
	Syntax	! U1 setvar "wlan.security" "1"

wlan.private_key_password

type: getvar; setvar

This parameter allows the setting of the optional private key password.

getvar result	The private key password.	
Example	Description	Gets the value of the private key password.
	Syntax	! U1 getvar "wlan.private_key_password"
	Result	"value" (For protection a single "*" prints)
setvar choices	Values: a maximum of 32 alphanumeric characters	
	Default	"value"
Example	Description	Sets the private key password.
	Syntax	! U1 setvar "wlan.private_key_password" "value"

wlan.username

type: getvar; setvar

This parameter refers to the generic user name that is used by the wireless securities that need a user name.

getvar result	The generic user name.	
Example	Description	Gets the generic username for the wireless securities that need a user name.
	Syntax	! U1 getvar "wlan.username"
	Result	"user"
setvar choices	Values: a maximum of 32 alphanumeric characters	
	Default	"user"
Example	Description	Sets the generic user name for wireless securities that need a user name.
	Syntax	! U1 setvar "wlan.username" "user"

wlan.password

type: getvar; setvar

This parameter refers to the generic password that is used by the wireless securities that need a password.

getvar result	The generic user name.	
Example	Description	Gets the generic password for the wireless securities that need a password.
	Syntax	! U1 getvar "wlan.password"
	Result	"password" (For protection a single "*" prints)
setvar choices	Values: a maximum of 32 alphanumeric characters	
	Default	"password"
Example	Description	Sets the generic password for wireless securities that need a password.
	Syntax	! U1 setvar "wlan.password" "password"

wlan.mac_addr

type: getvar

This parameter retrieves the MAC address of the wireless print server.

getvar result	The MAC address.	
Example	Description	Gets the MAC address of the wireless print server.
	Syntax	! U1 getvar "wlan.mac_addr"

wlan.mac_raw

type: getvar; setvar

This parameter specifies the RAW MAC address of the wireless print server. The RAW MAC address is the MAC address without the colons (":").

getvar result	The RAW MAC address.	
Example	Description	Gets the RAW MAC address of the wireless print server.
	Syntax	! U1 getvar "wlan.mac_raw"



NOTE: The "wlan.xxx" commands described in the following two sections apply only to printers that support the new "Zebra Performance Radio 802.11 b/g". This option is denoted by the letter "G" in the printer part number (seventh position), i.e. Q3D-LUGA0000-00.

Using the Set-Get-Do commands below allows the user to modify the roaming parameters in the printer.

Roaming Commands

wlan.roam.rssi

type: getvar; setvar

This is the negative dBm value of the RSSI at which point the radio will start the roaming algorithm. This is not supported by all radios.

getvar result	Returns the absolute value of the negative dBm for the RSSI threshold.	
getvar example	Description	Get the current RSSI threshold value
	Syntax	! U1 getvar "wlan.roam.rssi"
	Result	"74"
setvar choices	60 to 125 inclusive	
	Default	74
setvar example	Description	Set the RSSI threshold value to -80 dBm
	Syntax	! U1 setvar "wlan.roam.rssi" "80"
	Result	Threshold set to -80 dBm

wlan.roam.max_fail

type: getvar; setvar

This is the number of consecutive tx packet failures at which point the radio should start its roaming algorithm. This is not supported by all radios.

getvar result	Returns the number for the max_fail threshold.	
getvar example	Description	Get the current max_fail threshold value
	Syntax	! U1 getvar "wlan.roam.max_fail"
	Result	"10"
setvar choices	2 to 75 inclusive	
	Default	10
setvar example	Description	Set the max_fail threshold value to 30 packets
	Syntax	! U1 setvar "wlan.roam.max_fail" "30"
	Result	Threshold set to 30 packets

wlan.roam.trig_freq

type: getvar; setvar; hidden internal only command

This is the number of consecutive received beacons that must meet the RSSI or signal threshold before roaming will be triggered. This is not supported by all radios. See also “wlan.roam.signal” and “wlan.roam.rssi”. (This variable is not referenced in those as this one is hidden.)

getvar result	Returns the number of consecutive RSSI or signal thresholds that must be met before the corresponding event is triggered.	
getvar example	Description	Get the trigger frequency value
	Syntax	! U1 getvar “wlan.roam.trig_freq”
	Result	“4”
setvar choices	2 to 25 inclusive	
	Default	4
setvar example	Description	Set the trigger frequency value to 8
	Syntax	! U1 setvar “wlan.roam.trig_freq” “8”
	Result	Trigger frequency set to 8

International Mode

Using the description below, a user can change the channels to what are supported by their regulatory domains. The user should ensure they set this in accordance with the regulatory domain in their country.

wlan.channel_mask

type: getvar; setvar

This controls which b/g radio channels can be used by the radio for network connections. It is a bit field where a 0 disables a channel and a 1 enables the channel. Starting from the right, bit 0 is for channel 1, bit 1 for channel 2, etc. This can be used to limit the channels scanned for networks, which would slightly improve connection and roaming speed. It also used to control the channels used for your regulatory domain.

Commonly used channel masks are:

Channel Mask: Region

0x7FF: United States, Canada, Latin America (Channels 1-11)

0x1FFF: Europe, Middle East, Africa, other (Channels 1-13)

0x3FFF: Japan (Channels 1-14)

This is not supported by all radios.

getvar result	Returns the mask of which channels are enabled.	
getvar example	Description	Get the current channel mask value
	Syntax	! U1 getvar "wlan.channel_mask"
	Result	"0x7FF"
setvar choices	0x0000 to 0xFFFF (4 hexadecimal digits preceded by "0x")	
	Default	0x7FF
setvar example	Description	Set the channel mask to use only channels 1,6,11
	Syntax	! U1 setvar "wlan.channel_mask" "0x421"
	Result	Only channels 1, 6, and 11 will be used by the radio

RFID Parameters



Note: The following “rfid.xxx” parameters are applicable only on Zebra mobile printers equipped with a RFID reader/encoder option.

More detailed information on RFID commands and parameters may be found in Zebra’s RFID Programming Manual, available on the Zebra website.

rfid.error.response

type: getvar

This command returns any active error message displayed on the printer’s LCD.

getvar result	Returns any RFID error message.	
Example 1	Description	This example illustrates the result if no RFID tag is present
	Syntax	! U1 getvar “rfid.error.response”
	Result	“NO TAG FOUND”
Example 2	Description	This example illustrates the result if a valid RFID tag is present
	Syntax	! U1 getvar “rfid.error.response”
	Result	“RFID OK”



Note: Refer to the Zebra RFID Programming Manual for complete information on error condition responses and further information on RFID commands.

rfid.position.program

Type getvar; setvar

Description This command sets the read/write position of the RFID transponder in vertical (Y axis) dot rows from the top of the label. Set to 0 (no movement) if the transponder is already in the effective area without moving the media.



Important • If a label format specifies a value for this parameter, this value will be used for the programming position for all subsequent labels until a new position is specified or until the printer is turned off (O) and then back on (I).

getvar results	Description	This command instructs the printer to respond with the current programming position
Example	Syntax	! U1 getvar "rfid.position.program"
	Result	Printer returns the current programming position
setvar	Description	This command instructs the printer to set the programming position
	Syntax	! U1 setvar "rfid.position.program" "value"
setvar choices	"value" can equal "0" to label length	
	Default value	"(label length minus 1 mm [1/16 in.])"
Example	Syntax	! U1 setvar "rfid.position.program" "15"
	Result	Programming position is set to "15"



This setvar example shows the programming position being set at 15 dot rows from the top of the label.

rfid.reader_1.power.read

Type getvar; setvar

Description This command sets the RFID reader power level for reading RFID tags.

getvar result	"getvar" instructs the printer to respond with the RFID reader's current read power level	
Example	Syntax	! U1 getvar "rfid.reader_1.power.read"
	Result	Printer will return the current RFID reader's read power setting
setvar choices	"setvar" instructs the printer to set the RFID reader's current read power level	
	Syntax	! U1 setvar "rfid.reader_1.power.read" "value"
	Values	0-30
	Default	16
Example	Syntax	! U1 setvar "rfid.reader_1.power.read" "0"
	Result	The RFID reader's read power level is set to "0"

rfid.reader_1.power.write

Type getvar; setvar

This command sets the RFID reader's write power level for writing to RFID tags.

getvar results	"getvar" instructs the printer to respond with the RFID reader's current write power level	
Example	Syntax	! U1 getvar "rfid.reader_1.power.write"
	Result	Printer returns the current RFID reader's write power level
setvar choices	"setvar" instructs the printer to set the RFID reader write power level	
	Syntax	! U1 setvar "rfid.reader_1.power.write" "value"
	Values:	0-30
	Default	16
Example	Syntax	! U1 setvar "rfid.reader_1.power.write" "0"
	Result	RFID reader's write power level is set to "0"

rfid.tag.calibrate

Type: setvar

This command sets the RFID programming position through a tag calibration or it restores the programming position back to the printer default. Before running this command load the printer with RFID media and close the printhead.

setvar choices	"restore", "run"	
	Default	N/A
Example 1	Description	This will restore the program position to the printer's default program position (label length - 1mm)
	Syntax	! U1 setvar "rfid.tag.calibrate" "restore"
	Result	Program position is set to a label length - 1 mm
Example 2	Description	This will perform a RFID tag calibration then set the program position to the optimal position
	Syntax	! U1 setvar "rfid.tag.calibrate" "run"
	Result	Program position is set to the optimal position

rfid.tag.data

Type: getvar

This command will retrieve data from the RFID tag that is currently above the transponder.

getvar result	The current tag's data (Example 1) or "NO DATA" (Example 2).	
Example 1	Description	This will return the current tag's data. (In this example a tag is present and its data is "0123456789ABCDEF12345678")
	Syntax	! U1 getvar "rfid.tag.data"
	Result	"01234567890ABCDEF12345678"
Example 2	Description	This message will return when no tag is present
	Syntax	! U1 getvar "rfid.tag.data"
	Result	"NO DATA"

rfid.tag.test

Type: setvar

This command refers to the RFID tag test results via the display.

setvar choices	"quick", "slow"	
Example 1	Description	This parameter will perform a quick RFID test which will show a pass or fail message
	Syntax	! U1 setvar "rfid.tag.test" "quick"
	Result	Printer performs a quick RFID test. Display will show a "PASS" or "FAIL" message
Example 2	Description	This will perform a slow RFID test which will show each read or write tag operation's success or failure
	Syntax	! U1 setvar "rfid.tag.test" "slow"
	Result	Printer performs a slow RFID test. Display will show the success or failure of each read or write tag operation

rfid.tag.type

Type: getvar; setvar

This parameter refers to the RFID reader's tag type configuration.

getvar result	Returns the reader's tag type configuration.	
Example	Description	This example retrieves the RFID reader's tag type
	Syntax	! U1 getvar "rfid.tag.type"
	Result	"gen2"
setvar choices	"gen2"	
	Default	"gen2"
Example	Description	This example sets the RFID reader's tag type
	Syntax	! U1 setvar "rfid.tag.type" "gen2"
	Result	Reader's tag type is set to "gen2"

USB Parameters



NOTE: The following “usb.xxx” parameters are applicable only on Zebra mobile printers configured for USB communications. They cannot be used on Cameo and Encore series printers which do not support USB communications.

usb.device.device_id_string

type: getvar

This parameter refers to the manufacturer assigned IEEE1284 Device Identification string used to describe a particular USB product.

getvar result	Returns the Device ID String stored in the USB library.	
Example	Description	This example retrieves the device’s Device ID string
	Syntax	! U1 GETVAR “usb.device.device_id_string”
	Result	“MFG:Zebra ;CMD:CPCL;MDL:QL420 ;”

usb.device.device_version

type: getvar

This parameter refers to the version of the USB device being queried.

getvar result	Returns the device version stored in the USB library.	
Example	Description	This example retrieves the device version value from the printer
	Syntax	! U1 GETVAR “usb.device.device_version”
	Result	“0.1”

usb.device.manufacturer_string

type: getvar

This parameter refers to the string containing the name of the manufacturer of the USB device.

getvar result	Returns the Manufacturer String stored in the USB library.	
Example	Description	This example retrieves the device’s Manufacturer string
	Syntax	! U1 GETVAR “usb.device.manufacturer_string”
	Result	“Zebra”

continued

usb.device.product_id

type: getvar

This parameter refers to the Product Identification number that a manufacturer has assigned to a particular product. This number, along with the Vendor ID, allows a USB host to distinguish one device from another.

getvar result	Returns the Product ID stored in the USB library. Format is hexadecimal	
Example	Description	This example retrieves the device's product ID
	Syntax	! U1 GETVAR "usb.device.product_id"
	Result	"003D"

usb.device.product_string

type: getvar

This parameter refers to the manufacturer assigned string describing a particular USB product.

getvar result	Returns the Product String stored in the USB library.	
Example	Description	This example retrieves the device's vendor ID
	Syntax	! U1 GETVAR "usb.device.product_string"
	Result	"QL420"

usb.device.serial_string

type: getvar

This parameter refers to the manufacturer assigned serial number string describing a particular USB product. This string should be unique to a particular device.

getvar result	Returns the Serial Number String stored in the USB library	
Example	Description	This example retrieves the device's serial number string
	Syntax	! U1 GETVAR "usb.device.serial_string"
	Result	"1234567890"

usb.device.device_unique_id

type: getvar. setvar

This parameter sets or gets the USB Unique Device Id setting. The identifier that makes any printer unique is set by the parameter "usb.device.serial_string" which is reported to the USB driver. By default "usb.device.serial_string" reports the printer's serial number, which will prompt the user to specify the driver he desires to use each time he plugs in a new device.

By setting "usb.device_unique_id" parameter to "off" the printer will report the usb.device.serial_string parameter as its product family (e.g. RW 420, QL 320, MZ 320, etc). That makes each printer within the same product family transparent to the USB device driver, allowing the user to plug in printers within that product family without the USB driver prompt each time he does so.

getvar result	Returns the current USB Unique Device Id setting stored in the printer	
Example	Description	This example retrieves the device's USB Unique Device Id setting
	Syntax	! U1 GETVAR "usb.device.device_unique_id"
	Result	"on"
setvar choices	on-enable, off-disable	
	Default: "on"	
Example	Description	This example sets the device's USB Unique Device Id status to "disable"
	Syntax	! U1 SETVAR "usb.device.device_unique_id" "off"
	Result	"off"

usb.device.vendor_id

type: getvar

This parameter refers to the Vendor Identification number that the USB organization has assigned to a particular group. This number, along with the Product ID, allows a USB host to distinguish one device from another.

getvar result	Returns the Vendor ID stored in the USB library. Format is hexadecimal	
Example	Description	This example retrieves the device's vendor ID
	Syntax	! U1 GETVAR "usb.device.vendor_id"
	Result	"0a5f"

continued

usb.halt

Type: getvar, setvar

Variable used to force the printer to maintain available USB connection when a printer error occurs.

getvar result	Returns the current "usb.halt" setting stored in the printer.	
	Syntax	! U1 getvar "usb.halt"
setvar choices	yes, no	
	Default	yes
setvar example 1	Description	Printer will maintain USB connection on printer error (head open, out of paper)
	Syntax	! U1 setvar "usb.halt" "no"
	Result	usb.halt parameter is set to "no"
setvar example 2	Description	Printer will block USB connection on printer error (head open, out of paper)
	Syntax	! U1 getvar "usb.halt"
	Result	usb.halt parameter is set to "yes"

Zebra Printer Mirror Process

Zebra “alpha series” mobile printers (e. g. QL 220, RW 420) support a file mirroring process that allows the printer to synchronize files with those stored on an FTP server. Since the process relies solely on the FTP standard, no other special utilities are required. The files on the FTP server can be printer firmware files or fonts, as well as lists of printer configuration commands (such as commands to change the printer’s WEP key). In order for this file synchronization process to work properly, it is only required that the FTP server support “Unix style” directory listings and that the modification time stamps of the files stored on the FTP server are accurate.

Printer set up to support mirror process

In order to enable the mirror process on the printer, the following set/get variables are available:

ip.mirror.auto: on/off

If “on”, printer will automatically perform a mirror “fetch” command on power-up, and subsequently every “freq” minutes. (see ip.mirror.freq, below)

ip.mirror.username: 20 bytes (string)

Username to use for FTP login

ip.mirror.password: 20 bytes (string)

Password for FTP account

ip.mirror.server: 40 bytes (string)

Server ip address or name (if DNS server info is provided via DHCP).

ip.mirror.path: 50 bytes (string)

Path on the FTP server where the mirror directory is located. Defaults to “companyname/model” (e.g. “/Zebra/QL 320”).



NOTE: this must be an absolute path (i.e. it must start with / or ~)

ip.mirror.freq: 0-65535 minutes

Number of minutes to wait before performing another mirror fetch. If this value is “0”, the mirror process will only be performed once immediately on power-up. This parameter only applies if ip.mirror.auto is “on”. Caution should be used if setting a low value - otherwise the printer may spend most of its time performing the mirror process.

continued

ip.mirror.fetch:

Force the mirror process to be run immediately. This variable can be set via SNMP, allowing the mirror process to triggered via SNMP.

Example of printer configuration for mirror

The following is an example of using the above mirror set/get variables to configure the printer for the mirror process. These commands could be put in a text file and sent to the printer as in the following example:

```
! U1 setvar "ip.mirror.path""/Zebra/QL320"
! U1 setvar "ip.mirror.server""10.14.4.12"
! U1 setvar "ip.mirror.freq""0"
! U1 setvar "ip.mirror.auto""on"
! U1 setvar "ip.mirror.username""brian"
! U1 setvar "ip.mirror.password""password"
```

In the above example, the printer will only perform the mirror process once on power-up, since the "ip.mirror.freq" variable is set to 0.

Server Settings

On the server, the mirror directory structure should look like this:

```
<mirror path>/appl/files/commands/
Appl/
```

Appl/ will contain only one file - the current printer application. The file name should be the exact printer application name followed by .hex. If the file in the appl/ subdirectory is named differently than the current printer version, the printer will download the new application and will automatically re-program itself with this new firmware.

Files/

Files/ will be a flat directory (no subdirectories) that contains all the files that should be installed on the printer. File names must be in 8.3 format. Any new files, or those with more recent time stamps, will be automatically copied to the file system on the printer.

commands/

The commands/ directory will contain files with CPCL commands. (For example, "! U1 setvar "wlan.essid" "myessid"".) This will allow the changing of printer settings automatically. Command file

continued

names must be in 8.3 format. The time stamp of any files in the commands/ subdirectory will be compared to those of commands which were last executed on the printer. Any command files that have never been run or have a more recent time stamp than those on the printer will be downloaded and executed on the printer.

It may be useful to put a label command in the most recent command file. This will provide visual feedback that the printer successfully performed the mirror process. For example, the example below could be the contents of a command file:

```
! U1 setvar "wlan.essid""myssid"
! U1 setvar "wlan.encryption_mode""128-bit"
! U1 setvar "wlan.auth_type""shared"
! U1 setvar "wlan.encryption_index""1"
! U1 setvar "wlan.encryption_key1""12345678901234567890123456"
! U1 setvar "wlan.encryption_key2""23456789012345678901234567"
! U1 setvar "wlan.encryption_key3""34567890123456789012345678"
! U1 setvar "wlan.encryption_key4""45678901234567890123456789"
! U1 setvar "ip.mirror.auto""off"
! 0 200 200 240 1
LABEL
PAGE-WIDTH 600
T 0 3 84 17 Network settings updated
FORM
PRINT
```

In this example the printer will print a label with the text "Network settings updated" after it downloads this file and updates its network settings.

Refer to the following pages for exposition of the ip.mirror variables.

ip.mirror.auto

type: getvar, setvar

This parameter is used to enable or disable the file mirroring process on the printer for the initial power-up sequence and at repeating intervals defined by "ip.mirror.freq".

getvar result	The current mirror setting.	
Example	Description	Instructs the printer to respond with the value of the FTP mirror mode
	Syntax	!U1 getvar "ip.mirror.auto"
	Result	"off"
setvar choices	"off": mirror will not be performed automatically "on": mirror will be performed automatically when the printer is first powered-on and at the interval defined by "ip.mirror.freq"	
	Default	"off"
Example	Description	Enable the mirror process
	Syntax	! U1 setvar "ip.mirror.auto" "on"
	Result	The printer will perform the mirror process on initial power-up and at the repeated interval defined by "ip.mirror.freq"

ip.mirror.fetch

type: do

This command will force the mirror process to be performed immediately.

do choices	Any text string.	
Example	Description	Perform the mirror process
	Syntax	! U1 do "ip.mirror.fetch" "yes"
	Result	The printer will immediately contact the FTP server with the defined username and password and look for mirror file updates

ip.mirror.freq

type:getvar; setvar

This parameter defines how frequently (in minutes) the mirror process will be performed. This parameter only applies if "ip.mirror.auto" is set to "on".

getvar result	The current mirror frequency in minutes	
Example	Description	Instructs the printer to respond with the frequency the mirror process is performed
	Syntax	!U1 getvar "ip.mirror.freq"
	Result	"0"
setvar choices	Any value between "0" and "99". A value of "0" means the mirror process will only be performed on power-up	
	Default	"0"
Example	Description	Change mirror frequency to "25"
	Syntax	! U1 setvar "ip.mirror.freq" "25"
	Result	If "ip.mirror.auto" is "on", then the mirror process will be performed on initial power-up and every 25 minutes thereafter

ip.mirror.password

type: getvar; setvar

This parameter defines FTP password that will be used for the mirror process.

getvar result	The current mirror password – masked with asterisks	
Example	Description	Instructs the printer to respond with the value of the FTP password
	Syntax	!U1 getvar "ip.mirror.password"
	Result	"*****"
setvar choices	Any text string up to 20 characters in length	
	Default	"password"
Example	Description	Change mirror password to "secret"
	Syntax	! U1 setvar "ip.mirror.password" "secret"
	Result	The next time the mirror process is performed, the printer will use the FTP password "secret"

ip.mirror.path

type:getvar; setvar

This parameter defines the path on the FTP where the mirror directories are located. This can be a relative path based on the FTP username or an absolute path based on the FTP root directory.

getvar result	The current mirror path.	
Example	Description	Instructs the printer to respond with the FTP path to the mirror directories
	Syntax	!U1 getvar "ip.mirror.path"
	Result	"Zebra/QL 320"
setvar choices	Any text string up to 50 characters in length	
	Default	"Zebra/QL 320"
Example	Description	Change mirror path to "zebra/ql"
	Syntax	! U1 setvar "ip.mirror.path" "zebra/ql"
	Result	The next time the mirror process is performed, the printer will look for the updates in the "zebra/ql" relative directory

ip.mirror.server

type:getvar; setvar

This parameter defines the FTP server that will be used for the mirror process.

getvar result	The current mirror server address	
Example	Description	Instructs the printer to respond with the FTP server used for the mirror process
	Syntax	!U1 getvar "ip.mirror.server"
	Result	"0.0.0.0"
setvar choices	Either an IP address or any DNS resolvable name up to 40 characters in length	
	Default	"0.0.0.0"
Example	Description	Change mirror server to "192.168.1.1"
	Syntax	! U1 setvar "ip.mirror.server" "192.168.1.1"
	Result	The next time the mirror process is performed, the printer will connect to the FTP server at address 192.168.1.1

ip.mirror.username

type: getvar; setvar

This parameter defines FTP username that will be used for the mirror process.

getvar result	The current username.	
Example	Description	Instructs the printer to respond with the value of the FTP user name
	Syntax	!U1 getvar "ip.mirror.username"
	Result	"username"
setvar choices	Any text string up to 20 characters in length	
	Default	"username"
Example	Description	Change mirror username to "test"
	Syntax	! U1 setvar "ip.mirror.username" "test"
	Result	The next time the mirror process is performed, the printer will use the FTP username "test"

Internal Wired Parameters

internal_wired.ip.addr

type: getvar; setvar

This parameter allows you to get or set the internal wired print server's IP address.

getvar result	The current internal wired print server IP address.	
Example	Description	Gets the printer to respond with its current internal wired print server IP address.
	Syntax	! U1 getvar "internal_wired.ip.addr"
	Result	" 0.0.0.0"
setvar choices	Values: any valid IP address	
	Default	"0.0.0.0 "
Example	Description	Instructs the printer to change its current internal wired print server IP address upon power up.
	Syntax	! U1 setvar "internal_wired.ip.addr" "0.0.0.0"

internal_wired.ip.netmask

type: getvar; setvar

This parameter allows you to get or set the internal wired print server's subnet mask address. This value is ignored if the IP protocol is not set to permanent.

getvar result	The current internal wired print server subnet mask.	
Example	Description	Gets the printer to respond with internal wired print server subnet mask.
	Syntax	! U1 getvar "internal_wired.ip.netmask"
	Result	" 255.255.255.0"
setvar choices	Values: any valid subnet mask	
	Default	"255.255.255.0 "
Example	Description	Instructs the printer to change its internal wired print server subnet mask.
	Syntax	! U1 setvar "internal_wired.ip.netmask" "255.255.255.0"

internal_wired.ip.gateway

type: getvar; setvar

This parameter instructs the printer to change the internal wired print server's gateway address.

getvar result	The current internal wired print server gateway address.	
Example	Description	Gets the printer to respond with internal wired print server gateway address.
	Syntax	! U1 getvar "internal_wired.ip.gateway"
	Result	" 0.0.0.0"
setvar choices	Values: any valid gateway address	
	Default	"0.0.0.0 "
Example	Description	Instructs the printer to change its internal wired print server gateway address.
	Syntax	! U1 setvar "internal_wired.ip.gateway" "0.0.0.0"

internal_wired.ip.port

type: getvar; setvar

This parameter refers to the internal wired print server's port number that the TCP print service is listening on. No normal TCP communications from the host should be directed to this port.

getvar result	The current internal wired print server TCP/UDP port number.	
Example	Description	Gets the printer to respond with internal wired print server TCP/UDP port number.
	Syntax	! U1 getvar "internal_wired.ip.port"
	Result	" 9100 "
setvar choices	Values: 1-65535 (excluding any ports currently used by other services, such as 21, 23, 80, and 515).	
	Default	"9100 "
Example	Description	Instructs the printer to change its internal wired print server TCP/UDP port number.
	Syntax	! U1 setvar "internal_wired.ip.port" "9100"

internal_wired.ip.arp_interval

type: getvar; setvar

This parameter allows you to specify the Address Resolution Protocol (ARP) interval or the ARP cache time out for the internal wired print server.

getvar result	The ARP interval or the ARP cache time out value for the internal wired print server..	
Example	Description	Gets the printer to respond with the ARP interval or the ARP cache time out value for the internal wired print server.
	Syntax	! U1 getvar "internal_wired.ip.arp_interval"
	Result	" 0"
setvar choices	Values: 0-30	
	Default	"0"
Example	Description	Instructs the printer to change the ARP interval or the ARP cache time out for the internal wired print server.
	Syntax	! U1 setvar "internal_wired.ip.arp_interval" "0"

internal_wired.ip.dhcp.requests_per_session

type: getvar; setvar

This parameter retrieves the maximum amount of DHCP discover requests for a single DHCP session on the internal wired print server.

getvar result	The max amount of DHCP discover requests for a single DHCP session.	
Example	Description	Gets the currently set maximum amount of DHCP discover requests for a single DHCP session on the internal wired print server.
	Syntax	! U1 getvar "internal_wired.ip.dhcp.requests_per_session"
	Result	" 2"
setvar choices	Values: 1-10	
	Default	"2"
Example	Description	Instructs the printer to set the maximum amount of DHCP discover requests for a single DHCP session on the internal wired print server.
	Syntax	! U1 setvar "internal_wired.ip.dhcp.requests_per_session" "2"

internal_wired.ip.dhcp.requests_timeout

type: getvar; setvar

This parameter retrieves the maximum amount of DHCP discover requests for a single DHCP session on the internal wired print server.

getvar result	The max amount of DHCP discover requests for a single DHCP session.	
Example	Description	Gets the currently set maximum amount of DHCP discover requests for a single DHCP session on the internal wired print server.
	Syntax	! U1 getvar "internal_wired.ip.dhcp.requests_per_session"
	Result	" 2"
setvar choices	Values: 1-10	
	Default	"2"
Example	Description	Instructs the printer to set the maximum amount of DHCP discover requests for a single DHCP session on the internal wired print server.
	Syntax	! U1 setvar "internal_wired.ip.dhcp.requests_per_session" "2"

internal_wired.ip.dhcp.session_interval

type: getvar; setvar

This parameter retrieves the amount of time (in seconds) it will take for a DHCP session to time out before a new session begins.

getvar result	The current DHCP session time out.	
Example	Description	Gets the current DHCP session time out.
	Syntax	! U1 getvar "internal_wired.ip.dhcp.session_interval"
	Result	" 10"
setvar choices	Values: 0-60	
	Default	"10"
Example	Description	Instructs the printer to set the DHCP session time out.
	Syntax	! U1 setvar "internal_wired.ip.dhcp.session_interval" "10"

internal_wired.ip.dhcp.lease.length

type: getvar

This parameter retrieves the original length (in seconds) of the DHCP lease on the internal wired print server.

getvar result	The original length (in seconds) of the DHCP lease.	
Example	Description	Gets the original length (in seconds) of the DHCP lease on the internal wired print server.
	Syntax	! U1 getvar "internal_wired.ip.dhcp.lease.length"

internal_wired.ip.dhcp.lease.time_left

type: getvar

This parameter retrieves the time (in seconds) left in the current DHCP lease on the internal wired print server.

getvar result	The original time (in seconds) left in the current DHCP lease.	
Example	Description	Gets the original time (in seconds) left in the current DHCP lease on the internal wired print server.
	Syntax	! U1 getvar "internal_wired.ip.dhcp.lease.time_left"

internal_wired.ip.dhcp.lease.server

type: getvar

This parameter retrieves the address of the server that provided the DHCP lease on the internal wired print server.

getvar result	The address of the server that provided the DHCP lease.	
Example	Description	Gets the address of the server that provided the DHCP lease on the internal wired print server.
	Syntax	! U1 getvar "internal_wired.ip.dhcp.lease.server"

internal_wired.ip.dhcp.lease.last_attempt

type: getvar

This parameter retrieves the last time a DHCP request was sent from the internal wired print server.

getvar result	The last time a DHCP request was sent.	
Example	Description	Gets the last time a DHCP request was sent from the internal wired print server.
	Syntax	! U1 getvar "internal_wired.ip.dhcp.lease.last_attempt"

internal_wired.ip.dhcp.cache_ip

type: getvar; setvar

This parameter enables or disables the IP cache on the internal wired print server.

getvar result	The status of the IP cache.	
Example	Description	Gets the status of the IP cache on the internal wired print server.
	Syntax	! U1 getvar "internal_wired.ip.dhcp.cache_ip"
	Result	"off"
setvar choices	Values: "on" = enabled; "off" = disabled	
	Default	"off"
Example	Description	Sets the status of the IP cache.
	Syntax	! U1 setvar "internal_wired.ip.dhcp.cache_ip" "off"

internal_wired.ip.dhcp.cid_type

type: getvar; setvar

This parameter defines the type of client identifier (DHCP option 61) that will be sent if DHCP is enabled on the internal wired print server.

getvar result	The client identifier type.	
Example	Description	Gets the client identifier type for the internal wired print server.
	Syntax	! U1 getvar "internal_wired.ip.dhcp.cid_type"
	Result	"1"
setvar choices	Values: "0" = ASCII string; "1" = wired print server's MAC address; "2" = HEX value	
	Default	"1"
Example	Description	Instructs the printer to enable "synthetic" Client Identifier for the internal wired print server.
	Syntax	! U1 setvar "internal_wired.ip.dhcp.cid_type" "1"

internal_wired.ip.dhcp.cid_prefix

type: getvar; setvar

This parameter defines the prefix to be prepended to the DHCP client identifier (option 61) when DHCP is enabled on the internal wired print server and "internal_wired.ip.dhcp.cid_type" is set to "0" or "2".

getvar result	The client identifier prefix.	
Example	Description	Gets the printer to respond with the client identifier prefix of the internal wired print server.
	Syntax	! U1 getvar "internal_wired.ip.dhcp.cid_prefix"
	Result	" "
setvar choices	Values: any text string up to 10 characters if the CID type is ASCII or 20 characters if the CID type is hexadecimal.	
	Default	" "
Example	Description	Instructs the printer to change the CID prefix of the internal wired print server.
	Syntax	! U1 setvar "internal_wired.ip.dhcp.cid_prefix" "value"

internal_wired.ip.dhcp.cid_enable

type: getvar; setvar

This parameter determines if DHCP (option 61) is turned on or off of the internal wired print server.

getvar result	The status of the client identifier.	
Example	Description	Gets the printer to respond with the status of the client identifier of the internal wired print server.
	Syntax	! U1 getvar "internal_wired.ip.dhcp.cid_enable"
	Result	"off"
setvar choices	Values: "off" = client identifier is turned off; "on" = client identifier is turned on	
	Default	"off"
Example	Description	Instructs the printer to set the status of the client identifier of the internal wired print server.
	Syntax	! U1 setvar "internal_wired.ip.dhcp.cid_enable" "off"

internal_wired.ip.dhcp.cid_suffix

type: getvar; setvar

This parameter defines the unique suffix to be used as the client identifier (option 61) if DHCP is enabled on the internal wired print server and "internal_wired.ip.dhcp.cid_type" is set to "0" or "2".

getvar result	The client identifier suffix.	
Example	Description	Gets the printer to respond with the client identifier suffix of the internal wired print server.
	Syntax	! U1 getvar "internal_wired.ip.dhcp.cid_suffix"
	Result	" "
setvar choices	Values: the maximum length of a value allowed is 60 ASCII characters when the CID type is ASCII or 120 hexadecimal values when the CID type is hexadecimal.	
	Default	" "
Example	Description	Instructs the printer to change the CID suffix of the internal wired print server.
	Syntax	! U1 setvar "internal_wired.ip.dhcp.cid_suffix" "value"

internal_wired.ip.dhcp.cid_all

type: getvar; setvar

This parameter defines the entire client identifier (option 61) if DHCP is enabled on the internal wired print server and "internal_wired.ip.dhcp.cid_type" is set to "0" or "2". The MAC address is used if the type is set to "1".

getvar result	The client identifier prefix and suffix.	
Example	Description	Gets the printer to respond with the client identifier prefix and suffix of the internal wired print server.
	Syntax	! U1 getvar "internal_wired.ip.dhcp.cid_all"
	Result	" "
setvar choices	Values: any text string up to 10 characters if the CID type is ASCII or 20 characters if the CID type is hexadecimal.	
	Default	" "
Example	Description	Instructs the printer to change the CID prefix and suffix of the internal wired print server. The prefix gets cleared and the suffix contains the entire client identifier.
	Syntax	! U1 setvar "internal_wired.ip.dhcp.cid_all" "value"

internal_wired.ip.dhcp.option12

type: getvar; setvar

This parameter specifies if the DHCP option 12 (host name) is on or off in the discovery packet that is sent from the internal wired print server.

getvar result	The status of the DHCP option 12 in the discovery packet.	
Example	Description	Gets the status of the DHCP option 12 (host name) in the discovery packet of the internal wired print server.
	Syntax	! U1 getvar "internal_wired.ip.dhcp.option12"
	Result	"on"
setvar choices	Values: "on" = turns on option 12; "off" = turns off option 12	
	Default	"on"
Example	Description	Instructs the printer to set the DHCP option 12 (host name) in the discovery packet of the internal wired print server.
	Syntax	! U1 setvar "internal_wired.ip.dhcp.option12" "on"

internal_wired.ip.dhcp.option12_format

type: getvar; setvar

This parameter specifies the value that will be used for option 12 (host name) to be used in the DHCP discovery packet of the internal wired print server.

getvar result	The value to be used for option 12 in the DHCP discovery packet.	
Example	Description	Gets the value which will be used for option 12 (host name) to be used in the DHCP discovery packet of the internal wired print server.
	Syntax	! U1 getvar "internal_wired.ip.dhcp.option12_format"
	Result	" "
setvar choices	Values: 0 to 109 alphanumeric characters	
	Default	" "
Example	Description	Instructs the printer to set the value which will be used for option 12 (host name) in the DHCP discovery packet of the internal wired print server.
	Syntax	! U1 setvar "internal_wired.ip.dhcp.option12_format" "value"

internal_wired.ip.dhcp.option12_value

type: getvar

This parameter retrieves the actual value which will be used in the discovery packet of the internal wired print server.

getvar result	The actual value used in the discovery packet.	
Example	Description	Gets the actual value which will be used in the discovery packet of the internal wired print server.
	Syntax	! U1 getvar "internal_wired.ip.dhcp.option12_value"

internal_wired.ip.protocol

type: getvar; setvar

This parameter configures the IP addressing method used by the internal wired print server.

getvar result	The IP addressing method.	
Example	Description	Gets the IP addressing method used by the internal wired print server.
	Syntax	! U1 getvar "internal_wired.ip.protocol"
	Result	"all"
setvar choices	Values: "bootp" = uses the standard bootp addressing method to obtain an IP address and configuration; "dhcp" = uses the standard dhcp addressing method to obtain an IP address and configuration for a server specified period of time; "rarp" = uses the standard rarp addressing method to obtain an IP address; "glean" = uses the IP address from a PING packet that is sent to its hardware address (unicast address); "permanent" = uses static values assigned through other commands; "all" = tries all of the dynamic addressing methods, not permanent, to obtain an IP address.	
	Default	"all"
Example	Description	Instructs the printer to configure the IP addressing method used by the internal wired print server.
	Syntax	! U1 setvar "internal_wired.ip.protocol" "all"

internal_wired.ip.default_addr_enable

type: getvar; setvar

This parameter allows you to default the internal wired print server's IP address.

getvar result	The status of the setting of the internal wired print server's default IP address feature.	
Example	Description	Gets the printer to show the status of the setting of the internal wired print server's default IP address feature.
	Syntax	! U1 getvar "internal_wired.ip.default_addr_enable"
	Result	"on"
setvar choices	Values: "on" = enabled; "off" = disabled	
	Default	"on"
Example	Description	Instructs the printer to use its default address if no address is provided through DHCP or BOOTP. If you do not assign an IP address after 2 minutes, the 10/100 Internal PS defaults to IP address 192.168.254.254.
	Syntax	! U1 setvar "internal_wired.ip.default_addr_enable" "on"

internal_wired.ip.timeout.enable

type: getvar; setvar

This parameter enables the connection timeout on the internal wired print server. For this to take effect, the print server must be reset.

getvar result	Whether or not the timeout checking is enabled.	
Example	Description	Instructs the printer to return whether the timeout checking is enabled on the internal wired print server.
	Syntax	! U1 getvar "internal_wired.ip.timeout.enable"
	Result	"on"
setvar choices	Values: "off" = turns off the connection checking; "on" = turns on the connection checking	
	Default	"on"
Example	Description	Instructs the printer to enable or disable the timeout checking on the internal wired print server.
	Syntax	! U1 setvar "internal_wired.ip.timeout.enable" "on"

internal_wired.ip.timeout.value

type: getvar; setvar

This parameter refers to the time (in seconds) before the connection times out for the internal wired print server. For this to take effect, the print server must be reset.

getvar result	The time (in seconds) until the connection times out.	
Example	Description	Instructs the printer to respond with the time (in seconds) of the internal wired print server before the connection times out.
	Syntax	! U1 getvar "internal_wired.ip.timeout.value"
	Result	"300"
setvar choices	Values: "1" through "3600"	
	Default	"300"
Example	Description	Instructs the printer to set the time (in seconds) of the internal wired print server before the connection times out.
	Syntax	! U1 setvar "internal_wired.ip.timeout.value" "300"

internal_wired.mac_addr

type: getvar

This parameter retrieves the MAC address of the internal wired print server.

getvar result	The MAC address.	
Example	Description	Gets the printer to respond with the MAC address of the internal wired print server.
	Syntax	! U1 getvar "internal_wired.mac_addr"

internal_wired.mac_raw

type: getvar

This parameter identifies the RAW MAC address of the internal wired print server. The RAW MAC address is the MAC address without the colons (":").

getvar result	The RAW MAC address.	
Example	Description	Gets the RAW MAC address of the internal wired print server.
	Syntax	! U1 getvar "internal_wired.mac_raw"

internal_wired.auto_switchover

type: getvar; setvar

This parameter instructs the printer to switch from wireless to the internal wired print server when an Ethernet cable is plugged into the printer and the printer detects an active data link.

getvar result	The current automatic switchover value.	
Example	Description	Gets the current automatic switchover value.
	Syntax	! U1 getvar "internal_wired.auto_switchover"
	Result	"off"
setvar choices	Values: "on" = switchover enabled; "off" = switchover disabled	
	Default	"off"
Example	Description	Configures switches between the wireless and wired interfaces.
	Syntax	! U1 setvar "internal_wired.auto_switchover" "off"

Interface Parameters

interface.network.active.ip_addr

type: getvar

This parameter retrieves the IP address of the active print server.

getvar result	The IP address of the active print server.	
Example	Description	Gets the IP address of the active print server.
	Syntax	! U1 getvar "interface.network.active.ip_addr"

interface.network.active.netmask

type: getvar

This parameter retrieves the netmask of the active print server.

getvar result	The netmask of the active print server.	
Example	Description	Gets the netmask of the active print server.
	Syntax	! U1 getvar "interface.network.active.netmask"

interface.network.active.gateway

type: getvar

This parameter retrieves the gateway address of the active print server.

getvar result	The gateway address of the active print server.	
Example	Description	Gets the gateway address of the active print server.
	Syntax	! U1 getvar "interface.network.active.gateway"

interface.network.active.protocol

type: getvar

This parameter retrieves the IP protocol of the active print server.

getvar result	The IP protocol of the active print server.	
Example	Description	Gets the IP protocol of the active print server.
	Syntax	! U1 getvar "interface.network.active.protocol"

interface.network.active.mac_addr

type: getvar

This parameter retrieves the MAC address of the active print server.

getvar result	The MAC address of the active print server.	
Example	Description	Gets the MAC address of the active print server.
	Syntax	! U1 getvar "interface.network.active.mac_addr"

interface.network.active.mac_raw

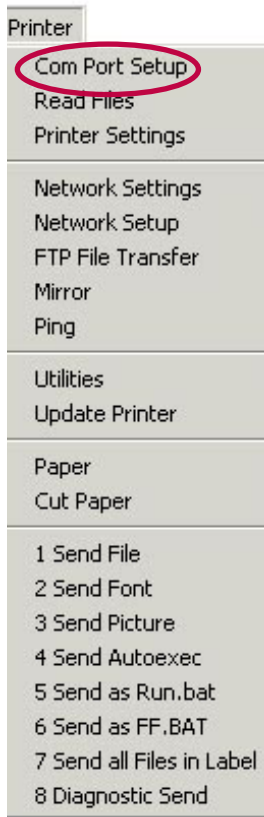
type: getvar

This parameter identifies the RAW MAC address of the active print server. The RAW MAC address is the MAC address without the colons (":").

getvar result	The RAW MAC address of the active print server.	
Example	Description	Gets the RAW MAC address of the active print server.
	Syntax	! U1 getvar "interface.network.active.mac_raw"

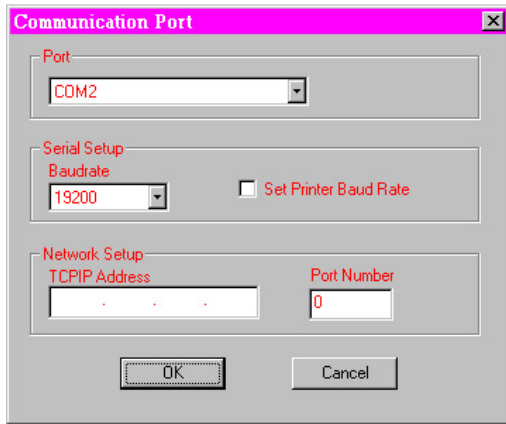
PRINTER CONFIGURATION AND SETUP

Using Label Vista for Printer Configuration



The Label Vista label creation application can also be used to re-configure the printer by sending new application, font or .bat files to the printer. The Label Vista utilities are located under the Printer Menu.

You should first establish communications between your printer and a PC running label vista by using the Com Port Setup menu detailed following:



Port Sets up the communications port via the Communications Port dialog box. The user may select from several different methods of communicating with the printer and select the rate at which data is transferred.. The Com1 or Com2 selections allow bi-directional serial communications with the printer.



Note: The LPT1 write/COM1 read or LPT1 write/COM2 read options are only used with the Bravo series of desk top printers.

Two network protocols are available to talk to Zebra printers equipped with wireless network capabilities: NETWORK TCPIP and NETWORK LPD. In order to communicate with the printer, choose the protocol that the printer is configured for. If you are unsure as to which protocol the printer is setup for, turn the printer off and

while holding the feed key down turn the printer back on. This will print the printer's 2-key report. The protocol that the printer is configured to use is listed under the RF-LAN section. If the printer is using a Symbol MOM card choose the NETWORK SYMBOL MOM CARD option. This is a TCP protocol that does not close the network connection.

In order to talk to a network printer the IP address and port must also be entered. The printer's current IP address and port are also listed on the 2-key report.

Baudrate allows selection of the rate at which data is sent over either COM port. Baud rates range from 2400 to 115200 b.p.s.

Checking the Set Printer Baud Rate box allows Label Vista to automatically set the Baud rate for the program and the printer.

Once Communications have been established between Label Vista and the printer you can send files to the printer with the various "Send" options under the "Printer" menu:

1 Send File

Downloads a file to the printer. Clicking on the "Browse" button allows the user to select a file to be downloaded via the standard Windows interface. A bar at the bottom of the dialog box monitors downloading process. This interface is common to all of the file download utilities.

2 Send Font

Downloads a font file (.CSF, .CPF extensions) to the printer. (Refer to the Fonts Menu selection for more information.)

3 Send Picture

Downloads a picture file (.PCX) to the printer.



Note: Any picture files placed in a label created with Label Vista must also be downloaded to the printer by means of this command.

4 Send Autoexec.

Downloads an autoexec.bat file to the printer. If a .lbl type file is downloaded using this command, It will be converted from an .lbl file into an autoexec.bat type file. The printer will execute this file on power up (i.e. print the label described in the file).

5 Send as Run.bat

Sends either a label or a format file to the printer as a RUN.BAT file. Upon power up, and after running any resident AUTOEXEC.BAT files, the printer will automatically execute a RUN.BAT file.

6 Send as FF.BAT

Sends a selected label file to the printer as a FF.BAT file. The printer will automatically execute a FF.BAT file whenever its "Feed" key is pressed.

7 Send all Files in Label

This command will send all fonts and pictures associated with the current label file to the printer. There must be sufficient memory in the printer to accept all of the files, and they must all be located in the current Label Vista working directory.

8 Diagnostic Send

Downloads a file without checking for status or validity. This function is usually used when the printer has been placed in the Communications Diagnostics Mode. Refer to Section 1 of this manual for complete information on utilizing the Communications Diagnostic Mode.

Label Vista has an extensive set of context-sensitive help files which will aid you in using the various file utilities available.

Using Label Vista for Wireless Configuration

Label Vista can also be used to configure the various versions of Mobile Wireless Printers. A Wireless Configuration Guide is available in the Zebra Web site at: <http://www.zebra.com>

Power Management

The printer contains the following power management features:

1. Synchronized On/Off control via DTR line from the attached host (DTR On/Off Control).
2. Programmable inactivity timeout.
3. Programmable low-battery timeout.
4. Shutdown command.
5. Enters low-power mode when idle.

SYNCHRONIZED ON/OFF CONTROL VIA PRINTER'S DSR LINE

The DSR line is an input to the printer and is controlled by the attached host's DTR line. The DSR line controls the power on/off and the operation of the short-range radio module.

1. Power On/Off Control

A low (inactive) to high (active) transition on this line will cause the printer to turn ON. A high (active) to (low) transition on this line will cause the printer to turn OFF only if it is configured to do so. The factory default configuration enables power-off on high to low transition on DSR. This setting can be changed using the MP Utilities program.



NOTE: A minimum of 500 milliseconds delay is required after DTR has been set high to allow the printer to power up and fully initialize prior to sending data. This is true regardless of the state of CTS if hardware handshaking is used. Failure to provide this delay may cause missed characters at the start of the file.

The printer will stay ON for as long as DSR is high (active) unless it reaches low-battery shut down point, or it receives a command to shut down. Please note that the inactivity time-out is disabled while DSR is high (active).

2. Short-Range Radio Control

The short range radio is enabled when DSR line is low (inactive) or when the host-to-printer cable is

continued

disconnected. In this case, the printer will attempt to communicate to the host over the short-range radio if the printer is so equipped. In its active (high) state, the DSR line will disable the short-range radio, if any, and will communicate over the RX/TX line of the serial port. For printers that are not equipped with a short-range radio, the host terminal must still keep the DSR line at an active state. The printer can be programmed to time-out, and shut itself off, upon reaching a predefined inactivity period. The factory default inactivity time-out is 2 minutes. This setting can be changed using the MP Utilities program , the Label Vista application or by sending the following command to the printer.

```
! UTILITIES
TIMEOUT n
END
```

Where “n” is the inactivity timeout in 1/8 of a second. For example, n=960 for a 2 minute inactivity timeout (120 seconds X 8). A timeout of 0 disables inactivity timeout.

Programmable Low-Battery Timeout

The printer can be programmed to timeout, and shut itself off, upon reaching a predefined period after low battery condition is detected. The factory default low battery timeout is 1 minute. This setting can be changed using the MP Utilities program or the Label Vista application.

Shutting off the Printer Remotely

The printer can be turned off by sending the following shut down command:

Off Command

```
ESC (0x1b) 'p' (0x70)
```

This function can be used instead of lowering DTR causing the printer to shut down.

Entering Low-Power Mode When Idle

The printer automatically enters low-power mode when it is idle in order to conserve power. All resident data and images will be preserved while the printer is in low-power mode.

Batch Files

The printer flash file system can be used to store a start-up file titled AUTOEXEC.BAT. When the printer is powered on, this file will be searched for and, if present, the printer will execute the commands found in this file. The following example shows how to create an AUTOEXEC.BAT file and load it into the printer.

AUTOEXEC.BAT Example

```
! DF AUTOEXEC.BAT
! UTILITIES
SETLP 5 1 40
PRINT
```

Line one uses the (D)efine (F)ile command to label this file as AUTOEXEC.BAT. The end of an AUTOEXEC.BAT file is indicated by a PRINT command as shown in line four.

When this file is executed, the printer will select font number 5, size 0 as the default front for line printer mode, and the printer will advance 40 dots for every carriage-return (0x0d) received.



Note: Every time a file is created on the printer by using the “! DEFINE-FORMAT...” or “! DF...” the file information is written to flash memory. Unlike RAM, flash memory does not require battery power for retaining data, and is immune to data corruption due to static discharge. Although flash memory is superior to RAM for safeguarding file contents, it is limited to an average of 10,000 write cycles (i.e. file creations). The user should use the file creation commands only when needed to ensure this write cycle limit is not exceeded.

RUN.BAT Command/File

The printer will execute the RUN.BAT file on power-up, if one exists. This file may be a format or label file. The only time RUN.BAT file is not executed is after a two-key reset (hold feed key down, turn printer on, release feed key when printer starts printing).

The following example demonstrates the use of the RUN.BAT file for an application that uses a bar code scanner connected to the printer's serial port for data input. The scanner must be set to the same baud rate as the printer, and be configured for 8 data bits, 1 stop bit, no parity. Scanned data must be terminated with both carriage return and line feed (0x0D 0x0A) characters.

The following RUN.BAT file is first sent to the printer's flash file system. When the printer is turned ON this file is found and executed. The keyword RE-RUN is used in the file to instruct the printer to execute this file repeatedly. (See the discussion on the RE_RUN command immediately following.) In this case, the BARCODE command data will be taken from the serial input.

The printer will produce a label each time a bar code is scanned.

RUN.BAT Example

Input:

```
! DF RUN.BAT
! 0 200 200 210 1
CENTER
BARCODE-TEXT 7 0 5
BARCODE 128 1 1 50 0 90 \\
RE-RUN
FORM
PRINT
```

Output:



RE-RUN Command

The RE-RUN command instructs the printer to execute the current file after an end-of-file is encountered. Any format or command file in the printer, with the exception of AUTOEXEC.BAT and CONFIG.SYS, may use the RE-RUN command.

GAP-SENSE & BAR-SENSE Commands

These commands are used to instruct the printer as to which means of top-of-form detection should be employed. Printers default to BAR-SENSE if no command is specified. Printers that are not equipped with a gap-sensor will attempt a pseudo gap-sense.

Format:

{command}

where:{command}: Choose one of the following:

GAP-SENSE # (0-255)

BAR-SENSE # (0-255)

Gap and Bar Sense commands can be followed by a number to adjust sensitivity. This is useful for gap sense stock from vendors other than Zebra.

GAP-SENSE Command Example:

The following example configures the printer for gap-sensing. In addition, it specifies that the distance from top-of-form to the gap is zero.

Input:

```
! UTILITIES
GAP-SENSE
SET-TOF 0
PRINT
```

INDEX

A

- Acknowledge Printer Reset 11-3
- Advanced Utilities
 - examples 10-1
- ALL CHRSLBL 1-6
- ANNOUNCE Command 10-10
- AUTOEXEC.BAT 9-3, 10-38, 15-6

B

- Backspace 9-10
- BARCODE Command 5-15, 9-15
- Barcodes, standard
 - samples 5-2
- BARCODE-TEXT 5-17, 6-3
- BAR-SENSE Command 9-10, 15-8
- BAUD Command 10-7
- BEEP Command 8-28, 10-13
- BHT-BAUD command 10-40
- BHT MODE Commands 10-47
 - COUNTED STRING 10-47
 - RAW 10-47
 - STRIP-ADD-CRLF 10-47
 - STRIP-SPACES 10-47
- BHT PROTOCOL Command 10-51
 - BHTIR Mode 10-51
 - BHT Mode 10-51
 - CABLE Mode 10-51
- BHT-PROTOCOL Command 10-39
- BHT Terminal 10-38
 - configuring for cable communications 10-41
- BlueTooth commands
 - using set/get/do parameters 14-3
- BOX command 7-1

C

- CHAR-SET Command 10-8
- CHECKSUM 10-3
- Checksum calculation,

- Codabar 5-11
- Code 39 5-6
- Code 128 5-10
- Postnet 5-13
- UPC/EAN 5-3

- Codabar barcode 5-11
- Code 39 barcode 5-6
- Code 93 barcode 5-8
- Code 128 barcode 5-10
- Communications Diagnostics 1-6
- CONCAT 3-8
- CONTRAST Command 8-1
- COUNT command 3-12, 5-18
- COUNTRY Command 8-22, 10-8
- CUT-AT Command 8-31, 9-14
- CUT Command 8-29, 9-15

D

- Date Stamp, printing 10-21
- DEL 10-3
- DF Command 10-5
- DIR 10-4
- do Command 14-2
- do parameters
 - device.reset 14-24
 - device.restore_defaults 14-25
 - file.delete 14-36
 - file.print 14-37
 - file.rename 14-37
 - file.run 14-37
 - file.type 14-38
 - ip.mirror.fetch 14-106
 - ip.ping_remote 14-101
 - ip.snmp.create_mib 14-131
 - test.feed 14-79
 - test.print_diags 14-79
 - test.report_diags 14-79

E

ENCODING Command 2-5
 Error messages
 LAN 12-9

F

Facing Identification Mark (FIM) 5-13
 FG command 3-6
 file mirroring 14-200
 printer set up 14-200
 server settings 14-201
 Flash Memory 8-27
 Font
 monospaced 9-17
 TrueType™ 9-5
 fonts
 pre-scaled 1-8
 Fonts
 Asian 8-24
 Format File Commands 1-8, 8-25
 DEFINE FORMAT 8-26
 USE-FORMAT 8-27
 FORM command 2-6
 Form Feed 9-10
 Frequency Hopping Spread Spectrum Radios
 compatibility with command parameters 14-133

G

GAP-SENSE Command 9-10
 GET-DATE command 10-19
 Get Extended Printer Status 10-22, 11-4, 14-49
 Get Printer Information 11-3
 Get Printer Status 11-2
 GET-TIME command 10-17
 Get User Label Coun 11-5
 getvar parameters
 appl.date 14-3
 appl.name 14-3
 appl.version 14-4
 bluetooth.address 14-5

bluetooth.afh_map 14-6
 bluetooth.afh_map_curr 14-7
 bluetooth.afh_mode 14-8
 bluetooth.authentication 14-9
 bluetooth.baud 14-11
 bluetooth.bluetooth_pin 14-10
 bluetooth.date 14-11
 bluetooth.discoverable 14-11
 bluetooth.enable 14-12
 bluetooth.friendly_name 14-13
 bluetooth.local_name 14-13
 bluetooth.minimum_security_mode 14-14
 bluetooth.radio_version 14-16
 bluetooth.short_address 14-16
 bluetooth.version 14-17
 card.inserted 14-82
 card.mac_addr 14-81
 comm.baud 14-19
 comm.parity 14-18
 comm.stop_bits 14-20
 device.alarm.command 14-22
 device.alarm.paper 14-21
 device.download_connection_timeout 14-32
 device.friendly_name 14-23
 device.frontpanel.line1 14-28
 device.frontpanel.line2 14-29
 device.frontpanel.xml 14-29
 device.pnp_option 14-31
 device.save_2key 14-26
 device.unique_id 14-30
 device.uptime 14-28
 device.user_p1 14-27
 device.user_p2 14-27
 display.backlight 14-34
 display.contrast 14-33
 display.text 14-35
 file.dir 14-36
 head.latch 14-39
 head.latch_closed_feed 14-39
 input.capture 14-43
 interface.network.active.gateway 14-232
 interface.network.active.ip_addr 14-232
 interface.network.active.mac_addr 14-233

interface.network.active.mac_raw 14-233
 interface.network.active.netmask 14-232
 interface.network.active.protocol 14-233
 internal_wired.auto_switchover 14-231
 internal_wired.ip.addr 14-209
 internal_wired.ip.arp_interval 14-213
 internal_wired.ip.default_addr_enable 14-227
 internal_wired.ip.dhcp.cache_ip 14-218
 internal_wired.ip.dhcp.cid_all 14-222
 internal_wired.ip.dhcp.cid_enable 14-220
 internal_wired.ip.dhcp.cid_prefix 14-219
 internal_wired.ip.dhcp.cid_suffix 14-221
 internal_wired.ip.dhcp.cid_type 14-218
 internal_wired.ip.dhcp.lease.last_attempt 14-217
 internal_wired.ip.dhcp.lease.length 14-216
 internal_wired.ip.dhcp.lease.server 14-217
 internal_wired.ip.dhcp.lease.time_left 14-217
 internal_wired.ip.dhcp.option12 14-223
 internal_wired.ip.dhcp.option12_format 14-224
 internal_wired.ip.dhcp.option12_value 14-225
 internal_wired.ip.dhcp.requests_per_session 14-214
 internal_wired.ip.dhcp.requests_timeout 14-215
 internal_wired.ip.dhcp.session_interval 14-216
 internal_wired.ip.gateway 14-211
 internal_wired.ip.netmask 14-210
 internal_wired.ip.port 14-212
 internal_wired.ip.protocol 14-226
 internal_wired.ip.timeout.enable 14-228
 internal_wired.ip.timeout.value 14-229
 internal_wired.mac_addr 14-230
 internal_wired.mac_raw 14-230
 ip.active_network 14-115
 ip.addr 14-82
 ip.arp_interval 14-113
 ip.bootp.enable 14-80
 ip.dhcp.cache_ip 14-91
 ip.dhcp.cid_all 14-96
 ip.dhcp.cid_enable 14-94
 ip.dhcp.cid_prefix 14-84
 ip.dhcp.cid_suffix 14-95
 ip.dhcp.cid_type 14-85
 ip.dhcp.cid_value 14-86
 ip.dhcp.enable 14-83
 ip.dhcp.lease.last_attempt 14-91
 ip.dhcp.lease.length 14-89
 ip.dhcp.lease.server 14-90
 ip.dhcp.lease.time_left 14-90
 ip.dhcp.option12 14-92
 ip.dhcp.option12_format 14-93
 ip.dhcp.option12_value 14-94
 ip.dhcp.requests_per_session 14-88
 ip.dhcp.request_timeout 14-88
 ip.dhcp.session_interval 14-89
 ip.dns.domain 14-112
 ip.dns.servers 14-112
 ip.ftp.enable 14-87
 ip.ftp.execute_file 14-98
 ip.gateway 14-97
 ip.http.enable 14-99
 ip.lpd.enable 14-100
 ip.mirror.auto 14-102
 ip.mirror.error_retry 14-108
 ip.mirror.feedback.auto 14-108
 ip.mirror.feedback.freq 14-109
 ip.mirror.feedback.odometer 14-110
 ip.mirror.feedback.path 14-109
 ip.mirror.freq 14-106
 ip.mirror.freq_hours 14-107
 ip.mirror.last_error 14-111
 ip.mirror.last_time 14-111
 ip.mirror.password 14-104
 ip.mirror.path 14-105
 ip.mirror.server 14-105
 ip.mirror.success 14-110
 ip.mirror.success_time 14-111
 ip.mirror.username 14-103
 ip.mirror.version 14-107
 ip.netmask 14-101
 ip.pop3.enable 14-116, 14-117, 14-118, 14-119, 14-120, 14-121, 14-122, 14-123
 ip.pop3.password 14-116
 ip.pop3.poll 14-117
 ip.pop3.print_body 14-118
 ip.pop3.print_headers 14-119, 14-123
 ip.pop3.save_attachments 14-120
 ip.pop3.server_addr 14-121

ip.pop3.username 14-122
ip.pop3.verbose_headers 14-123
ip.port 14-124
ip.primary_network 14-114
ip.remote 14-125
ip.remote_autoconnect 14-126
ip.remote_port 14-127
ip.smtp.enable 14-127
ip.smtp.server_addr 14-128
ip.snmp.enable 14-129
ip.snmp.get_community_name 14-129
ip.snmp.set_community_name 14-130
ip.tcp.enable 14-131
ip.telnet.enable 14-132
media.feed_length 14-46
media.sense_mode 14-47
media.speed 14-45
media.status 14-47
media.tof 14-48
media.type 14-49
media.width_sense.enable 14-40
media.width_sense.in_cm 14-41
media.width_sense.in_dots 14-41
media.width_sense.in_inches 14-42
media.width_sense.in_mm 14-40
memory.flash_free 14-50
memory.flash_size 14-50
memory.ram_free 14-51
memory.ram_size 14-51
netmanage.avalanche.agent_addr 14-56
netmanage.avalanche.available_agent 14-57
netmanage.avalanche.available_port 14-57
netmanage.avalanche.encryption_type 14-58
netmanage.avalanche.interval 14-58
netmanage.avalanche.interval_update 14-59
netmanage.avalanche.model_name 14-59
netmanage.avalanche.startup_update 14-60
netmanage.avalanche.tcp_connection_timeout 14-61
netmanage.avalanche.text_msg.beep 14-62
netmanage.avalanche.text_msg.display 14-62
netmanage.avalanche.text_msg.print 14-63
netmanage.avalanche.udp_timeout 14-63
netmanage.error_code 14-54
netmanage.state_code 14-54
netmanage.status_code 14-54
netmanage.type 14-56
odometer.headclean 14-68
odometer.headnew 14-69
odometer.label_dot_length 14-64
odometer.latch_open_count 14-64
odometer.media_marker_count 14-67
odometer.media_marker_count1 14-67
odometer.media_marker_count2 14-68
odometer.total_print_length 14-67
odometer.user_label_count 14-66
power.ascii_graph 14-70
power.batt_stop 14-70
power.cycle_count 14-70
power.date_first_used 14-71
power.design_capacity 14-71
power.design_voltage 14-71
power.dtr_power_off 14-72
power.full_charge_capacity 14-72
power.health 14-73
power.inactivity_timeout 14-74
power.low_battery_shutdown 14-75
power.low_battery_timeout 14-75
power.low_battery_warning 14-76
power.manufacturer_data 14-76
power.percent_full 14-76
power.status 14-77
power.voltage 14-77
print.tone 14-78
rfid.error.response 14-190
rfid.position.program 14-191
rfid.reader_1.power.read 14-192
rfid.reader_1.power.write 14-193
rfid.tag.data 14-194
rfid.tag.type 14-195
setvar parameters
 device.user_p1 14-27
test.feed 14-79
usb.device.device_id_string 14-196
usb.device.device_version 14-196
usb.device.manufacturer_string 14-196
usb.device.product_id 14-197

usb.device.product_string 14-197
 usb.device.serial_string 14-197
 usb.device.unique_id 14-198
 usb.device.vendor_id 14-198
 usb.halt 14-199
 wlan.adhocautomode 14-157
 wlan.adhocchannel 14-156
 wlan.associated 14-134
 wlan.auth_type 14-136
 wlan.bssid 14-134
 wlan.channel 14-155
 wlan.channel_mask 14-189
 wlan.current_essid 14-135
 wlan.current_tx_rate 14-135
 wlan.encryption_index 14-137
 wlan.encryption_key1 14-138
 wlan.encryption_key2 14-139
 wlan.encryption_key3 14-140
 wlan.encryption_key4 14-141
 wlan.encryption_mode 14-142
 wlan.essid 14-143
 wlan.firmware_version 14-151
 wlan.ip.addr 14-158
 wlan.ip.arp_interval 14-160
 wlan.ip.default_addr_enable 14-173
 wlan.ip.dhcp.cache_ip 14-164
 wlan.ip.dhcp.cid_all 14-169
 wlan.ip.dhcp.cid_enable 14-167
 wlan.ip.dhcp.cid_prefix 14-166
 wlan.ip.dhcp.cid_suffix 14-168
 wlan.ip.dhcp.cid_type 14-165
 wlan.ip.dhcp.lease.length 14-162
 wlan.ip.dhcp.lease.server 14-163
 wlan.ip.dhcp.lease.time_left 14-163
 wlan.ip.dhcp.least.last_attempt 14-163
 wlan.ip.dhcp.option12 14-170
 wlan.ip.dhcp.option12_format 14-171
 wlan.ip.dhcp.option12_value 14-171
 wlan.ip.dhcp.requests_per_session 14-160
 wlan.ip.dhcp.request_timeout 14-161
 wlan.ip.dhcp.session_interval 14-162

wlan.ip.gateway 14-159
 wlan.ip.netmask 14-158
 wlan.ip.port 14-159
 wlan.ip.protocol 14-172
 wlan.ip.timeout.enable 14-174
 wlan.ip.timeout.value 14-175
 wlan.keep_alive.enable 14-176
 wlan.keep_alive.timeout 14-177
 wlan.kerberos.mode 14-142
 wlan.leap_mode 14-144
 wlan.leap_password 14-145
 wlan.leap_username 14-146
 wlan.mac_addr 14-184
 wlan.mac_raw 14-185
 wlan.operating_mode 14-149
 wlan.password 14-184
 wlan.power_save 14-148
 wlan.preamble 14-148
 wlan.private_key_password 14-183
 wlan.roam.interchannel_delay 14-153
 wlan.roam.interval 14-153
 wlan.roam.max_chan_scan_time 14-154
 wlan.roam.max_fail 14-187
 wlan.roam.rssi 14-186
 wlan.roam.signal 14-152
 wlan.roam.trig_freq 14-188
 wlan.security 14-182
 wlan.signal_strength 14-148
 wlan.station_name 14-150
 wlan.tx_rate 14-151
 wlan.username 14-183
 wlan.wep.auth_type 14-179
 wlan.wep.index 14-178
 wlan.wep.key1 14-180
 wlan.wep.key2 14-180
 wlan.wep.key3 14-181
 wlan.wep.key4 14-181
 wlan.wpa.psk 14-155
 Global Trade Item Number 5-20
 Graphics Commands 7-1, 7-7

I

- Interleaved 2 of 5 barcode 5-9
 - German Post Code 5-9
- INVERSE-LINE command 7-3

J

- JOURNAL command 2-6
- JOURNAL Command 14-49
- Justification Commands 9-15

L

- Label Coordinate System 1-7
- Label Height 1-3
- Label Height,
 - maximum 2-2
- Label Vista 1-8, 5-1, 9-5, 9-17, 13-1, 15-1
- LAN Command 12-1
 - gateway IP address
 - setting 12-2
 - getting configuration settings 12-5
 - getting status of 12-4
 - hard resetting WLAN card 12-6
 - IP address 12-2, 12-6
 - obtaining 12-7
 - saving 12-6
 - Mode setting
 - LPD 12-3
 - TPC 12-3
 - Remote IP address
 - setting 12-2
 - soft resetting WLAN card 12-6
 - SSID setting 12-3
 - subnet mask
 - setting 12-3
 - TCP port
 - setting 12-7
- Language
 - programminmg
 - CPCL 1-1

- EPL II 1-1
 - setting 1-2
- ZPL 1-1

- LINE command 7-2
- line print mode 9-1, 11-1
- Line-terminator characters 10-15
- LMARGIN Command 9-7
- Low-Power Mode 15-5
- LT command 10-15

M

- MaxiCode 6-1, 6-5
 - encoded tags 6-5–6-10
 - publication: Guide to bar Coding 6-7
- MCR-CAN Command 10-28
- MCR Command 8-32, 10-23
 - Data Reporting Options 10-24
 - Debugging Options 10-24
 - Error Reporting Options 10-25
 - Frequency Options 10-24
 - Track Data Transmit Options 10-24
 - Track Options 10-24
- MCR-QUERY Command 10-28
- Messages, resident 10-10
- MSI Plessey barcode 5-12

N

- Networking commands
 - using set/get/do parameters 14-80
- Network Management Parameters
 - using Wavelink Avalanche 14-52
 - troubleshooting Avalanche issues 14-54
- Network Printers 12-1
 - QL series
 - FTP sessions 13-1
 - safety considerations 12-1
 - setting IP address 12-8
 - WLAN operating modes
 - infrastructure mode 14-147
 - WILAN operating modes,
 - ad hoc mode 14-147

NO_PACE Command 8-8
 NW7 barcode 5-11

O

Odometer Parameters 14-64
 Off Command 11-6, 15-5
 ON-FEED Command 8-16
 ON-OUT-OF-PAPER Command 8-15

P

PAGE-HEIGHT Command 9-10
 PAGE-WIDTH Command 9-7, 9-10
 PAPER JAM Command 11-4
 PARTIAL-CUT Command 9-15
 PATTERN command 7-5
 PCX Command 7-8, 9-15
 PDF417 Barcode 6-1
 POSTFEED Command 8-19
 Postnet barcode 5-13
 USPS Publication 25 5-13
 Power Management
 and Short-Range Radio Control 15-4
 using DSR 15-4
 PREFEED Command 8-18
 PRESENT-AT Command 8-20, 9-14
 PRINT command 2-3
 Printer Configuration and Setup 15-1
 Printer Control Commands 2-2
 Printer Escape Commands 11-1
 Printer Information 1-2
 Programming Language
 setting 14-24
 Programming Language Emulation 1-1
 recommended use of 1-2

Q

QL series printers
 LCD control panel 13-1
 QR Barcode 6-2, 6-11

R

Read CCL Code 11-1
 Reduced Space Symbology 5-20
 RE-RUN command 15-8
 Reset User Label Count 11-5
 REWIND Command 8-10
 RUN.BAT Command 15-7

S

Scalable Concatenation Commands 3-8
 SCALE-TEXT Commands 4-1
 S-CARD Command 10-29
 SETBOLD Command 9-8
 Set CCL Code 11-1
 SET-DATE command 10-18
 SETFF Command 2-6, 9-11
 set/get/do commands 14-1
 Bluetooth parameters 14-3
 networking parameters 14-80
 SETLF Command 9-6
 SETLP Command 9-5
 SETLP-TIMEOUT Command 9-16
 SETMAG command 3-14
 SETSP Command 8-13, 9-9
 SET-TIME command 10-16
 SET-TOF Command 9-12, 14-48
 setvar Command 14-2
 setvar parameters
 bluetooth.afh_map 14-6
 bluetooth.afh_mode 14-8
 bluetooth.authentication 14-9
 bluetooth.bluetooth_pin 14-10
 bluetooth.discoverable 14-11
 bluetooth.friendly_name 14-13
 comm.baud 14-18
 comm.parity 14-18
 comm.stop_bits 14-20
 device.frontpanel.key_press 14-30
 device.languages 14-24
 display.backlight 14-33
 display.contrast 14-33

- ip.bootp.enable 14-81
- ip.dhcp.cid_prefix 14-85
- ip.dhcp.cid_type 14-86
- ip.dhcp.cid_value 14-87
- ip.dhcp.enable 14-84
- ip.ftp.enable 14-88
- ip.gateway 14-98
- ip.http.enable 14-100
- ip.lpd.enable 14-100
- ip.mirror.auto 14-205
- ip.mirror.freq 14-206
- ip.mirror.password 14-207
- ip.mirror.path 14-208
- ip.mirror.server 14-209
- ip.mirror.username 14-210
- ip.netmask 14-102
- ip.pop3.enable 14-117, 14-119, 14-120, 14-121, 14-122, 14-123, 14-124
- ip.pop3.password 14-117
- ip.pop3.poll 14-118
- ip.pop3.print_body 14-119
- ip.pop3.print_headers 14-120, 14-124
- ip.pop3.save_attachments 14-121
- ip.pop3.server_addr 14-121
- ip.pop3.username 14-122
- ip.pop3.verbose_headers 14-124
- ip.port 14-125
- ip.remote 14-126
- ip.remote_autoconnect 14-127
- ip.pop3.password 14-117
- ip.pop3.poll 14-118
- ip.pop3.print_body 14-119
- ip.pop3.print_headers 14-120, 14-124
- ip.pop3.save_attachments 14-121
- ip.pop3.server_addr 14-121
- ip.pop3.username 14-122
- ip.pop3.verbose_headers 14-124
- ip.port 14-125
- ip.remote 14-126
- ip.remote_autoconnect 14-127
- ip.remote_port 14-128
- ip.smtp.enable 14-128
- ip.smtp.server_addr 14-129
- ip.snmp.enable 14-129
- ip.snmp.get_community_name 14-130
- ip.snmp.set_community_name 14-131
- ip.tcp.enable 14-132
- ip.telnet.enable 14-132
- ip.udp.enable 14-135
- media.sense_mode 14-48
- media.tof 14-49
- media.type 14-50
- media.width_sense.enable 14-41
- netmanage.avalanche.agent_addr 14-57
- netmanage.avalanche.interval 14-59
- netmanage.avalanche.interval_update 14-60
- netmanage.avalanche.set_property 14-61
- netmanage.avalanche.startup_update 14-61
- netmanage.avalanche.text_msg.beep 14-63
- netmanage.avalanche.text_msg.display 14-63
- netmanage.avalanche.text_msg.print 14-64
- netmanage.avalanche.udp_timeout 14-64
- netmanage.type 14-57
- odometer.latch_open_count 14-65
- odometer.media_marker_count 14-66
- odometer.user_label_count 14-67, 14-68
- power.batt_stop 14-71
- power.dtr_power_off 14-73
- power.inactivity_timeout 14-75
- power.low_battery_timeout 14-76
- rfid.position.program 14-193
- rfid.reader_1.power.read 14-194
- rfid.reader_1.power.write 14-195
- rfid.tag.calibrate 14-196
- rfid.tag.test 14-197
- rfid.tag.type 14-197
- usb.device.unique_id 14-200
- usb.halt 14-201
- wlan.auth_type 14-136, 14-138
- wlan.encryption_index 14-139
- wlan.encryption_key1 14-140
- wlan.encryption_key2 14-140
- wlan.encryption_key3 14-141
- wlan.encryption_key4 14-143
- wlan.encryption_mode 14-143
- wlan.essid 14-145
- wlan.kerberos.mode 14-144
- wlan.leap_mode 14-151
- wlan.leap_password 14-147
- wlan.leap_username 14-148

software version, ascertaining 14-1
SPEED Command 8-12
Synchronized On/Off Control 15-4

T

TENSION Commands 8-11
TEXT Command 3-4, 6-3
Text Concatenation Commands 4-5
TIMEOUT Command 10-12
Time Stamp, printing 10-20
TONE Command 8-2
TYPE 10-6

U

UCC-128 Shipping Standard 5-10
Units Commands 2-6, 9-4, 9-8
UPC and EAN/JAN barcodes
 number system character 5-3
 Plus2 and Plus 5 Extensions 5-4
UPC-E barcode 5-4
UTILITIES Command 9-3

V

VCONCAT 3-8
VERSION 10-2

W

WAIT Command 8-9
WML language 13-1
 tags used for LCD display 13-7

X

X and Y Values,
 moving with 9-7

APPENDIX A- FREQUENTLY ASKED QUESTIONS

These FAQ's are in no particular order. They cover the most commonly encountered questions asked about our mobile printers.

- Q. The first label I print is fine, but the next one starts printing not as close to the top of the label form, then sometimes skips a label, then prints a good label.
- A. Make sure that you only have one carriage return/line feed pair after the PRINT statement in your label. If there is more than one CR/LF pair, the printer prints the label, then sees the extra CR/LF pairs as data to be printed in line print mode. This advance causes the next label to be registered incorrectly when a new label file is sent.
- Q. I send a label to the printer, and the label begins to print. Before all of the label is printed, there is a feed to the next label. This happens for 2 attempts before the printer stops.
- A. Make sure that the label length specified in your command line is shorter than the distance between your eye sense marks on the label stock. If you are asking to print, say a 400 dot long label and the label stock eye sense marks are 300 dots apart, the printer 'sees' an eye sense mark before the entire label has printed and assumes the label stock was not at top of form. It then feeds to the next top of form and tries again. After 2 tries, the printer advances to the next top of form and stops.
- Q. When I send a label to the printer, the label file gets printed, and not the label itself.
- A. If you are getting the label file printed instead of the label, the syntax of the first line may be incorrect. Check that the syntax is something like: ! 0 200 200 210 1 where the 210 is the label length and 1 is the quantity. If the printer detects an invalid first line, the command mode is not entered. Instead, the printer acts as a generic line printer, and the remaining lines are treated as raw text to be printed.
- Q. My printer doesn't seem to respond when I send anything to it.
- A. Make sure that you have the same communications parameters for both the printer and the device connected to it. You can determine the printer's settings by turning the printer off, then while holding the feed key down, turning the printer back on. It should respond by printing a report, pause for about 3 seconds, then print a second report. If you look through these reports, you will find an entry for the current baud rate setting.

A good progression for finding problems like this is to use the MPU.EXE utility. Connect the cable, then turn the printer off. Now run the MPU utility. When this utility starts, it should turn the printer on.

If the printer will not turn on, check the com port and cable. Now select option 2 (Get printer status) from the menu. If there is no response, you probably have mismatched baud rates.

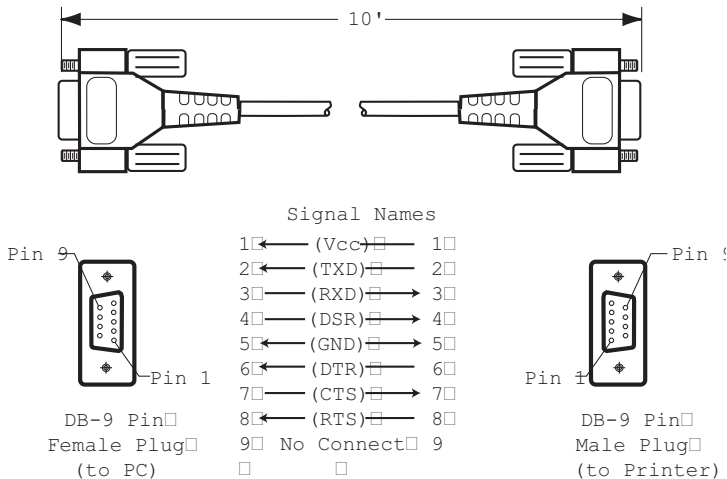
- Q. There seems to be missing or garbled characters sent to the printer.
- A. Some systems may alter characters before they are sent to the printer. The '\ character for example may be taken as an escape for the following character. You can place the printer in a 'DUMP' mode to see exactly what characters are being received. In this mode, any character that comes into the printer is printed in both its ASCII form and as a hex value. To place the printer in dump mode, turn the printer off, hold down the FEED key, and turn the printer on. When a report begins to print, release the feed key. After the first report there will be a pause, then a second report. At the end of this report, you will have about 3 seconds to press the feed key to enter Communications Diagnostic (DUMP) Mode. (Refer to pg. P1-6) If you are successful, you will see the message "Dump Mode Entered" on the label along with the Com port settings. You can now send your data to the printer, then examine the resulting label to determine if all characters received are as expected.
- Q. The labels I am producing have fields missing, but the command syntax to produce these fields seems to be correct.
- A. Insure that the entire text or bar code fields you are trying to print are positioned within the label borders when printed. Some commands will print the requested field only if it will 'fit' on the label. Also insure that the requested font and size specified in your label file is resident in the printer. Some applications make use of the flash file system to store custom fonts. If these fonts are missing, the result is a blank field. This also applies for any .PCX image files that may be used in your label files.

APPENDIX B- INTERFACE CABLES

BIDIRECTIONAL SERIAL INTERFACE CABLE

Part Number BL13402-1

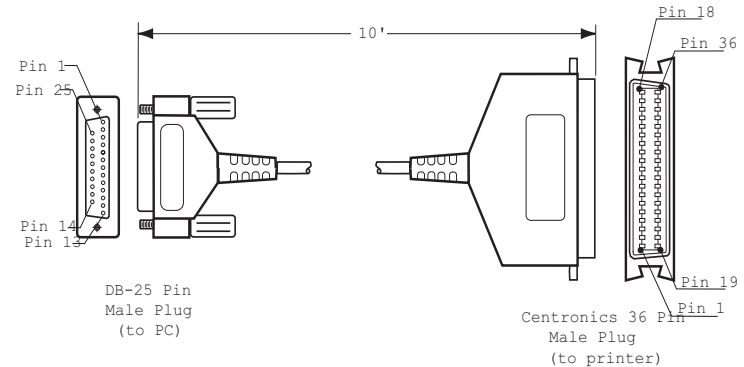
Use only with Bravo printers configured with standard DB9 serial I/O connector



UNIDIRECTIONAL PARALLEL INTERFACE CABLE

Part Number BL13403-1

Use only with Bravo printers configured with parallel Centronics type I/O connector



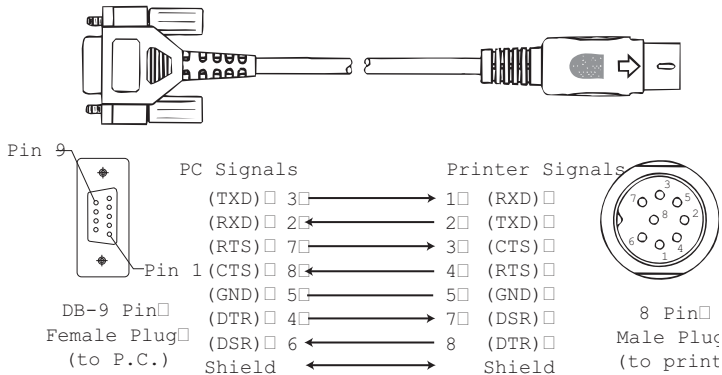
NOTE: The Bravo desktop printer line has been discontinued. Contact your Zebra Sales Representative for availability of spare parts and accessories

BIDIRECTIONAL SERIAL INTERFACE CABLES

Part Number BL11757-000

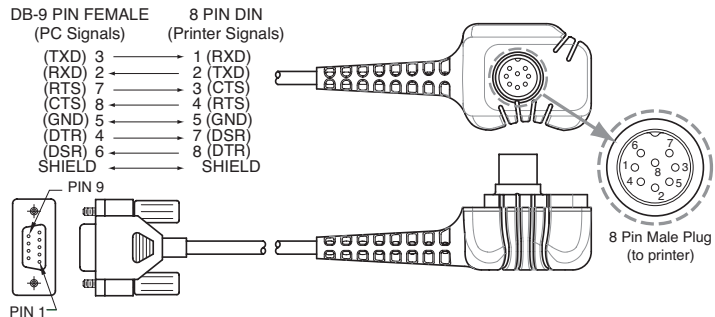
8-Pin DIN to 9-Pin DB PC Cable

Use to connect all Zebra Mobile Printers (except MZ series) to a P.C.



Part Number BL16555-1 (Molded Right Angle DIN Housing to 9-Pin DB)

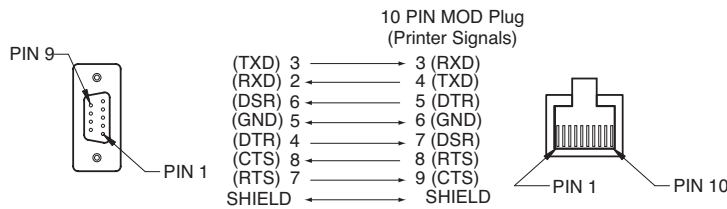
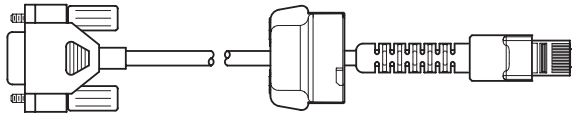
For use on Zebra QL, QL plus and RW Series Printers



BIDIRECTIONAL SERIAL INTERFACE CABLE

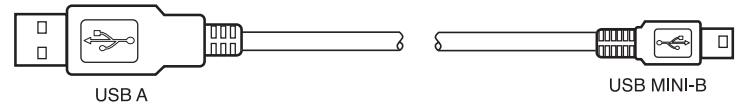
Part Number BL17205-1; RW Mod Plug to 9-Pin DB
 PC Cable

For use with RW Series only.



USB INTERFACE CABLE

Part Number AT17010-1; USB A to USB Mini B Cable
 For use with QL Plus, RW and MZ Series only.



More Interface Cables

Terminal	Cable P/N	Cord Lgth/Type	Terminal Connector	Printer Connector	Notes
COMPSEE					
Apex II	BL12093-3	8' Coiled	RJ45	8 Pin DIN	
LXE					
MX1,MX3	BL17757-000	6'/Straight	9 Pin DB	8 Pin DIN	
1380,1390,1590	BL17757-000	6'/Straight	9 Pin DB	8 Pin DIN	
2325	BL12093-1	8'/Coiled	RJ45	8 Pin DIN	Power On/Off (+5V)
NORAND					
RT1100/1700 Series	BL11537-1	8' /Coiled	6 Pin MiniDIN	8 Pin DIN Over-molded	
RT1100/1700 Series	BL11537-2	12'/Coiled	6 Pin MiniDIN	8 Pin DIN Over-molded	
RT5900 Series	BL12803-1	8' /Coiled	15 Pin D-Sub	8 Pin DIN	
RT1100/1700 Series	BL12804-1	8' /Coiled	6 Pin MiniDIN	8 Pin DIN -Locking	
RT1100/1700 Series	BL13298-1	8' /Coiled	6 Pin MiniDIN	8 Pin DIN Over-molded	Auto ON/OFF
RT1100/1700 Series	BL13309-1	8' /Coiled	6 Pin Mini DIN	8Pin DIN	Auto ON/OFF
6400	BL11757-000	6'/Straight	9 Pin DB	8 Pin DIN	
SYMBOL					
PDT3300 Series	BL11391-000	8' /Coiled	DB25 male	8 Pin DIN	
PDT4100 Series	BL11757-000	6' /Straight	9 Pin DB Fem.	8 Pin DIN	Must be used with Symbol RS232 Adapter-Symbol P/N 25-12059-01
PDT3100/3500/6100 Series	BL12093-1	8' /Coiled	RJ45	8 Pin DIN	a. Power On/Off (+5V) b. Used for the Percon Falcon
PDT3100 Series	BL12093-2	8' /Coiled	RJ45	8 Pin DIN	Power On/Off (DTR Line)
SPT1700 Series	BL15483-1	9' /Coiled	Cradle	8 Pin DIN	No Power On/Off (DTR Line)
SPT2700 Series	BL15482-1	9' /Coiled	Cradle	8 Pin DIN	Power On/Off (DTR Line)
LRT/LDT3800 Series	CC11371-3	6' /Coiled	PIM Optical	8 Pin DIN	"S" Printers Only
LRT/LDT3800 Series (2 Way)	CC11371-14	6' / Coiled	PIM Optical	8 Pin DIN	"S" Printers Only
LRT/LDT3800 & 6800 Series	CC11371-14	6' / Coiled	PIM Optical	8 Pin DIN	"S" Printers Only
LRT/LDT3800 & 6800 Series	CC11371-15	6' / Coiled	PIM Optical	8 Pin DIN	"S" Printers Only

More Interface Cables

Terminal	Cable P/N	Cord Lgth/Type	Terminal Connector	Printer Connector	Notes
TEKLOGIC					
7030 ILR	BL13285-2	Coiled	36 Pin IDC Fem	8 Pin DIN	
7025 ILR	BL13285-1	Coiled	15 Pin DB male	8 Pin DIN	
TELXON					
960	BL11122-1	8' /Coiled	RJ45	8 Pin DIN	
960SL Adapter for BL11122-1	CC13711-1	n/a	n/a	n/a	
960 (BL11122-1) & 960SL (CC13711-1)	CP74005	n/a	n/a	n/a	
960	BL12996-1	8' /Coiled	RJ45	8 Pin DIN-Locking	
860 & 912	CL11314-000	8' /Coiled	DB25	8 Pin DIN	

Complete Interface Cable Information

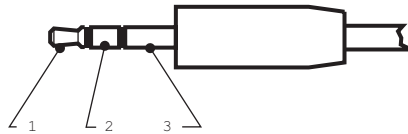


Contact the Factory or your Zebra Sales Representative for more information on interface cables to most major manufacturer's data terminals.

You may also visit the Zebra Web site at <http://www.zebra.com> for a complete listing of interface cables for all series of Zebra mobile printers

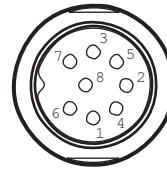
Denso BHT Interface Cable

BHT- 3 Pole
Mini-Stereo Plug

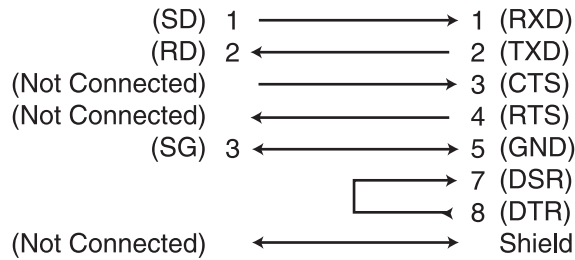


BHT Signal Names

Printer- 8 Pin
Male DIN Plug



Printer Signal Names



APPENDIX C- CHARACTER TABLES

Hex	2	3	4	5	6	7	8	9	A	B	C	D	E	F
0	sp	0	@	P	`	p								
1	!	1	A	Q	a	q								
2	“	2	B	R	b	r								
3	#	3	C	S	c	s								
4	\$	4	D	T	d	t								
5	%	5	E	U	e	u								
6	&	6	F	V	f	v								
7	'	7	G	W	g	w								
8	(8	H	X	h	x								
9)	9	I	Y	i	y								
A	*	:	J	Z	j	z								
B	+	;	K	[k	{	¢							
C	,	<	L	\	l									
D	-	=	M]	m	}								
E	.	>	N	^	n	~								
F	/	?	O	_	o									

ASCII TABLE hex values

INTERNATIONAL ISO SUBSTITUTION CHARACTERS

---Country---	----HEX Character Values----											
	23	24	40	5b	5c	5d	5e	60	7b	7c	7d	7e
USA	#	\$	@	[\]	^	~	{		}	~
United Kingdom	£	\$	@	[\]	^	~	{		}	-
France	£	\$	à	°	ç	§	^	μ	é	ù	è	”
Germany	#	\$	§	Ä	Ö	Ü	^	~	ä	ö	ü	ß
Italy	£	\$	§	°	ç	é	^	ù	à	ò	è	ì
Sweden	#	¤	É	Ä	Ö	Å	Ü	é	ä	ö	å	ü
Spain	£	\$	§	í	Ñ	¿	^	~	°	ñ	ç	”
Norway	#	\$	@	Æ	Ð	Å	^	~	æ	Ý	å	-

CP-850 Character Set

Hex	2	3	4	5	6	7	8	9	A	B	C	D	E	F
0		0	@	P	˘	p	Ç	É	á			ø	Ó	
1	!	1	A	Q	a	q	ü	æ	í			Ð	ß	±
2	"	2	B	R	b	r	é	Æ	ó			Ê	Ô	
3	#	3	C	S	c	s	â	ô	ú			Ë	Õ	
4	\$	4	D	T	d	t	ä	ö	ñ			È	ö	
5	%	5	E	U	e	u	à	ò	Ñ	Á		ı	Ö	š
6	&	6	F	V	f	v	å	û	ª	Â	ã	î	µ	
7	'	7	G	W	g	w	ç	ù	º	Ã	Ñ	ï	þ	,
8	(8	H	X	h	x	ê	ÿ	¿	©		İ	ƒ	°
9)	9	I	Y	i	y	ë	Ö	®				Ú	¨
A	*	:	J	Z	j	z	è	Ü	¬				Û	•
B	+	;	K	[k	{	ï	ø					Ü	
C	,	<	L	\	l		î	£					Ý	
D	-	=	M]	m	}	ï	∅	ı	¢			Ÿ	
E	.	>	N	^	n	~	Ä		«	¥		Ï	-	
F	/	?	O	_	o		Å		»		¤		´	

Latin 1 Character Set

Hex	2	3	4	5	6	7	8	9	A	B	C	D	E	F
0		0	@	P	˘	p				°	Ã	Ð	à	ø
1	!	1	A	Q	a	q			ı	±	Á	Ñ	á	ñ
2	"	2	B	R	b	r			ç		Â	Ò	â	ó
3	#	3	C	S	c	s			£		Ã	Ó	ã	ó
4	\$	4	D	T	d	t			¤	´	Ä	Ô	ä	ô
5	%	5	E	U	e	u			¥	µ	Å	Õ	å	õ
6	&	6	F	V	f	v					Æ	Ö	æ	ö
7	'	7	G	W	g	w			§	·	Ç	×	ç	÷
8	(8	H	X	h	x			¨	,	È	Ø	è	ø
9)	9	I	Y	i	y			©	ı	É	Ù	é	ù
A	*	:	J	Z	j	z			ª	º	Ê	Ú	ê	ú
B	+	;	K	[k	{			«	»	Ë	Û	ë	û
C	,	<	L	\	l				¬		Ï	Ü	ï	ü
D	-	=	M]	m	}					Í	Ý	í	ý
E	.	>	N	^	n	~			®		Î	Þ	î	þ
F	/	?	O	_	o				¸	¿	Ï	ß	ï	ÿ

Latin 9 Character Set

	0	1	2	3	4	5	6	7	8	9	a	b	c	d	e	f
0x2		!	"	#	\$	%	&	'	()	*	+	,	-	.	/
0x3	0	1	2	3	4	5	6	7	8	9	:	;	<	=	>	?
0x4	@	A	B	C	D	E	F	G	H	I	J	K	L	M	N	O
0x5	P	Q	R	S	T	U	V	W	X	Y	Z	[\]	^	_
0x6	`	a	b	c	d	e	f	g	h	i	j	k	l	m	n	o
0x7	p	q	r	s	t	u	v	w	x	y	z	{		}	~	
0x8																
0x9																
0xa		ı	ç	£	€	¥	Š	§	š	©	ª	«	¬		®	¯
0xb	°	±			Ž	µ		·	ž	´	°	»	Œ	œ	ÿ	¿
0xc	À	Á	Â	Ã	Ä	Å	Æ	Ç	È	É	Ê	Ë	Ì	Í	Î	Ï
0xd	Ð	Ñ	Ò	Ó	Ô	Õ	Ö	×	Ø	Ù	Ú	Û	Ü	Ý	Þ	ß
0xe	à	á	â	ã	ä	å	æ	ç	è	é	ê	ë	ì	í	î	ï
0xf	ð	ñ	ò	ó	ô	õ	ö	÷	ø	ù	ú	û	ü	ý	þ	ÿ

LATIN 1 -vs- LATIN 9

Hex Location	Latin 1	Latin 9
A4	☐	€
A6	ı	Š
A8	·	š
B4	'	Ž
B8	,	ž
BC	¼	Œ
BD	½	œ
BE	¾	ÿ

APPENDIX D - FONT INFORMATION

Font Names

Name	Font Number
Standard	0
Script	1
OCR-A	2
Unison	4
Manhattan	5
MICR	6
Warwick	7

Font Heights

The following table contains the font heights. The height values are in pixels.

Font # / Font Size --->	0	1	2	3	4	5	6	7
0	9	9	18	18	18	36	36	
1	48							
2	12	24						
4	47	94	45	90	180	270	360	450
5	24	48	46	92				
6	27							
7	24	48						

Fixed-Width Fonts

The following table contains the font widths for the fixed-width fonts. Only one width is given for each font/size combination since every character in that font/size combination has the same width. The proportional-width fonts follow, with a separate table for each. The space character will be substituted for empty values in these tables. The width values are in pixels.

Font # / Font Size --->	0	1	2	3	4	5	6	7
0	8	16	8	16	32	16	32	
1 (see separate table)								
2	20	20						
4 (see separate tables)								
5 (see separate tables)								
6	28							
7	12	12						

Proportional Width Fonts

Font Width In Dots-FONT 1, SIZE 0

Hex	2	3	4	5	6	7	8	9	A	B	C	D	E	F
0	15	19	22	26	29	15								
1	17	16	26	26	17	15								
2	19	23	26	26	16	11								
3	21	20	20	23	15	16								
4	21	20	25	28	19	12								
5	23	23	22	25	14	18								
6	23	21	20	23	12	16								
7	10	22	18	28	17	23								
8	14	21	23	25	16	16								
9	19	19	16	20	9	18								
A	17	8	21	25	8	17								
B	18	13	24	16	16	13		14						
C	10	19	17	26	11	14								
D	20	21	28	12	26	13								
E	10	18	26	27	17	13								
F	17	19	23	24	15									

**More Proportional Width Fonts
 Font Width In Dots-FONT 4, SIZES 0-1**

Hex	2	3	4	5	6	7	8	9	A	B	C	D	E	F
0	12	23	43	28	14	24								
1	13	23	28	32	24	24								
2	15	23	29	30	24	15								
3	23	23	30	27	22	21								
4	23	23	30	26	24	13								
5	37	23	28	29	23	23								
6	28	23	26	27	13	21								
7	8	23	32	39	24	30								
8	14	23	30	27	23	21								
9	14	23	12	28	10	21								
A	17	11	21	25	10	20								
B	25	11	28	12	22	14		23						
C	11	25	23	12	10	12								
D	14	25	35	12	35	14								
E	11	25	31	21	23	25								
F	12	24	32	23	24									

Font Width In Dots-FONT 4, SIZES 2-7

Hex	2	3	4	5	6	7	8	9	A	B	C	D	E	F
0	26	51			31									
1	31	51												
2	44	51												
3		51												
4	40	51												
5	82	51												
6		51												
7	22	51												
8	31	51												
9	31	51												
A	36	31												
B	54	31						40						
C	26	54				26								
D	31	54												
E	26	54												
F	26	56												

Font Width In Dots, FONT 5, SIZES 2-3

Hex	2	3	4	5	6	7	8	9	A	B	C	D	E	F
0	12	21	39	23	14	22								
1	14	21	30	30	20	22								
2	17	21	28	28	22	15								
3	21	21	28	23	18	16								
4	21	21	30	25	22	13								
5	35	21	26	30	19	22								
6	33	21	23	30	14	21								
7	10	21	30	40	20	30								
8	14	21	31	30	22	21								
9	14	21	15	30	12	21								
A	21	12	17	26	12	18								
B	24	12	30	14	21	20		21						
C	11	24	26	12	11	8								
D	14	24	37	14	33	20								
E	11	24	30	20	22	22								
F	12	19	30	21	21									

Font Width In Dots-FONT 5, SIZES 0-1

Hex	2	3	4	5	6	7	8	9	A	B	C	D	E	F
0	6	12	23	15	8	14								
1	8	12	18	19	12	14								
2	12	12	16	18	13	11								
3	13	12	18	14	11	10								
4	12	12	18	16	14	8								
5	19	12	17	18	11	14								
6	21	12	15	18	8	12								
7	7	12	19	24	12	18								
8	8	12	19	18	14	12								
9	8	12	10	18	7	12								
A	13	8	12	17	7	11								
B	14	8	19	8	15	10		14						
C	10	14	16	7	7	5								
D	16	14	24	8	21	10								
E	10	14	18	10	14	10								
F	7	12	19	12	13									

APPENDIX E-BAR CODE QUICK REFERENCE

Bar Code Symbology	Bar Code Type	Input Length	Characters	Ideal Wide/ Narrow Ratio	Ideal Narrow Dot Width	Checksum Calculation
UPC-A	UPCA	11 or 12 digits*	0-9 only	2:1	2	mod 10
UPC-A plus 2	UPCA2	13 digits*	0-9 only	2:1	2	mod 10 (UPC-A)
UPC-A plus 5	UPCA5	16 digits*	0-9 only	2:1	2	mod 10 (UPC-A)
UPC-E	UPCE	6, 7 or 11 digits*	0-9 only	2:1	2	mod 10
UPC-E plus 2	UPCE2	8 or 13 digits*	0-9 only	2:1	2	mod 10 (UPC-E)
UPC-E plus 5	UPCE5	11 or 16 digits*	0-9 only	2:1	2	mod 10 (UPC-E)
EAN/JAN-13	EAN13	12 or 13 digits*	0-9 only	2:1	2	mod 10
EAN/JAN-13 plus 2	EAN132	14 digits*	0-9 only	2:1	2	mod 10 (EAN13)
EAN/JAN-13 plus 5	EAN135	17 digits*	0-9 only	2:1	2	mod 10 (EAN13)
EAN/JAN-8	EAN8	6, 7 or 8 digits*	0-9 only	2:1	2	mod 10
EAN/JAN-8 plus 2	EAN82	9 digits*	0-9 only	2:1	2	mod 10 (EAN8)
EAN/JAN-8 plus 5	EAN85	12 digits*	0-9 only	2:1	2	mod 10 (EAN8)
Code 39 (3 of 9)	39	Variable	See notes*	2.5:1	2	none
	39C	Variable	See notes*	2.5:1	2	mod 43
	F39	Variable	See notes*	2.5:1	2	none
	F39C**	Variable	See notes*	2.5:1	2	mod 43
Code 93 (9 of 3)	93	Variable	128 ASCII	1.5:1	1	two mod 47
Interleaved 2 of 5	I2OF5	See notes*	0-9 only	2.5:1	2	See notes*
Interleaved 2 of 5 w/check digit	I2OF5C	See notes*	0-9 only	2.5:1	2	mod 10
Industrial 2 of 5	INDUST 2OF5	See notes*	0-9 only	2.5:1	2	See notes*
Industrial 2 of 5 w/check digit	INDUST 2OF5C					
Code 128/A/B/C/ Auto	128	Variable	See notes*	N/A	2	mod 103
UCC-128Std.	UCCEAN16	See notes*	See notes*	N/A	2	mod 103

continued

Bar Code Symbology	Bar Code Type	Input Length	Characters	Ideal Wide/ Narrow Ratio	Ideal Narrow Dot Width	Checksum Calculation
Codabar	CODABAR	Variable	0-9,A-D,symbol	2.5:1	2	none
	CODABAR 16	Variable	0-9,A-D,symbol	2.5:1	2	mod 16
MSI Plessey	MSI	13 digits max	0-9 only	2:1	2	none
	MSI10	13 digits max	0-9 only	2:1	2	mod 10
	MSI1010	13 digits max	0-9 only	2:1	2	two mod 10
	MSI1110	13 digits max	0-9 only	2:1	2	mod 11 mod 10
Postnet Facing	POSTNET	5, 9, 11 digits	0-9 only	3.5:1	3	mod 10
Ident Mark	FIM	A, B, or C only	A, B, or C	1.5:1	6	N/A



* Refer to the discussion of this particular bar code in Section Five for more information.

**To make a HIBCC compliant bar code, use bar code type F39C. The most recent document defining this barcode can be downloaded from the Health Industry Business Council Web site at: <http://www.hibcc.org>.

APPENDIX F - PRODUCT SUPPORT

Media Supplies

To insure maximum printer life and consistent print quality and performance for your individual application, it is recommended that only media produced by Zebra be used. These advantages include:

- Consistent quality and reliability of media products.
- Large range of stocked and standard formats.
- In-house custom format design service.
- Large production capacity which services the needs of many large and small media consumers including major retail chains world wide.
- Media products that meet or exceed industry standards.

For more information call Zebra Technologies Corporation at 1-866-230-9495 and ask to speak to a Media Sales Representative.

Maintenance Supplies

In addition to quality media provided by Zebra, it is recommended that the print head be cleaned as prescribed in the User's Manual for individual models. The following items are available for this purpose:

- Reorder No. AN11207-1-Print Head Cleaning Pads (10 pack) (For use with all Zebra mobile printers.)
- Reorder No. AN11208-1 Print Head Cleaning Cards (10 pack) (Recommended for use with MP50XX, M2, and M4 printers.)*
- Reorder No. AN11209-1- Cleaning Pen 10 Pack (Recommended for use with all Zebra mobile printers.)
- Reorder No. AT700- Cleaning Kit with Alcohol, Cleaning Card, and Cotton Swabs (Recommended for use with MP50XX, M2, and M4 printers.)*
- Reorder No. AT700-2- Cleaning Kit with Alcohol, Cleaning Pad, and Cotton Swabs (Recommended for use with RP3 printer.)*
- Reorder No. AT702-1- Cleaning Kit with Cleaning Pen and and (5) Cleaning Swabs (Recommended for use with Bravo and QL series printers)*



* MP50xx, M2, M4, RP3 and Bravo series are discontinued models.

Contact Us

In the Americas contact

Regional Headquarters	Technical Support	Customer Service Dept.
Zebra Technologies Corporation 475 Half Day Road, Suite 500 Lincolnshire, Illinois 60069 U.S.A T: +1 847 793 2600 Toll-free +1 800 423 0422	T: +1 847 913 2259 F: +1 847 913 2578 Hardware: hwtsamerica@zebra.com Software: swtsamerica@zebra.com	For printers, parts, media, and ribbon, please call your distributor, or contact us. T: +1 866 230 9494 F: +1 847 913 8766 E: VHCustServ@zebra.com

In Europe, Africa, the Middle East, and India contact

Regional Headquarters	Technical Support	Internal Sales Dept.
Zebra Technologies Europe Limited Dukes Meadow, Millboard Rd. Bourne End, Buckinghamshire SL8 5XF, UK Phone: +44.(0).1628.556000 Fax: +44.(0).1628.556001	Self Service Knowledgebase: www.zebra.com/knowledgebase Email Back Technical Library Send email to: emb@zebra.com Subject: Emailist On-Line case registration: www.zebra.com/techrequest	For printers, parts, media, and ribbon, please call your distributor, or contact us. T: +44 (0) 1494 768316 F: +44 (0) 1494 768244 E: mseurope@zebra.com

In the Asia Pacific region contact

Regional Headquarters	Technical Support	Customer Service
Zebra Technologies Asia Pacific, LLC T: +65 6858 0722 F: +65 6885 0838	T: +65 6858 0722 F: +65 6885 0838 E: tsasiapacific@zebra.com	For printers, parts, media, and ribbon, please call your distributor, or contact us. T: +65 6858 0722 F: +65 6885 0837



www.zebra.com

Zebra Technologies Corporation

475 Half Day Road, Suite 500

Lincolnshire, Illinois 60069 USA

Phone: + 1.847.634.6700

Toll Free: + 1.800.423.0422

Fax: + 1.847.913.8766