

Z Series[®] /RZ[™] Series
Industrial/Commercial Printer

User Guide

ZM400, ZM600, RZ400, and RZ600 printers



© 2011 ZIH Corp. The copyrights in this manual and the software and/or firmware in the printer described therein are owned by ZIH Corp. and Zebra's licensors. Unauthorized reproduction of this manual or the software and/or firmware in the printer may result in imprisonment of up to one year and fines of up to \$10,000 (17 U.S.C.506). Copyright violators may be subject to civil liability.

This product may contain ZPL[®], ZPL II[®], and ZebraLink[™] programs; Element Energy Equalizer[®] Circuit; E³[®]; and Monotype Imaging fonts. Software © ZIH Corp. All rights reserved worldwide.

ZebraLink and all product names and numbers are trademarks, and Zebra, the Zebra logo, ZPL, ZPL II, Element Energy Equalizer Circuit, and E³ Circuit are registered trademarks of ZIH Corp. All rights reserved worldwide.

All other brand names, product names, or trademarks belong to their respective holders. For additional trademark information, please see "Trademarks" on the product CD.

Proprietary Statement This manual contains proprietary information of Zebra Technologies Corporation and its subsidiaries ("Zebra Technologies"). It is intended solely for the information and use of parties operating and maintaining the equipment described herein. Such proprietary information may not be used, reproduced, or disclosed to any other parties for any other purpose without the express, written permission of Zebra Technologies Corporation.

Product Improvements Continuous improvement of products is a policy of Zebra Technologies Corporation. All specifications and designs are subject to change without notice.

Liability Disclaimer Zebra Technologies Corporation takes steps to ensure that its published Engineering specifications and manuals are correct; however, errors do occur. Zebra Technologies Corporation reserves the right to correct any such errors and disclaims liability resulting therefrom.

Limitation of Liability In no event shall Zebra Technologies Corporation or anyone else involved in the creation, production, or delivery of the accompanying product (including hardware and software) be liable for any damages whatsoever (including, without limitation, consequential damages including loss of business profits, business interruption, or loss of business information) arising out of the use of, the results of use of, or inability to use such product, even if Zebra Technologies Corporation has been advised of the possibility of such damages. Some jurisdictions do not allow the exclusion or limitation of incidental or consequential damages, so the above limitation or exclusion may not apply to you.



Declaration of Conformity

We have determined that the Zebra printers identified as the

Z Series[®] and RZ[™] Series

Z4M, Z6M, Z4Mplus, Z6Mplus, ZM400, ZM600, R4Mplus, RZ400, RZ600

manufactured by:

Zebra Technologies Corporation

475 Half Day Road, Suite 500

Lincolnshire, IL 60069 USA

Have been shown to comply with the applicable technical standards of the FCC

For Home, Office, Commercial, and Industrial use

If no unauthorized change is made in the equipment,
and if the equipment is properly maintained and operated.

Compliance Information

FCC Compliance Statement

This device complies with Part 15 rules. Operation is subject to the following two conditions:

1. This device may not cause harmful interference, and
2. This device must accept any interference received, including interference that may cause undesired operation.

The user is cautioned that any changes or modifications not expressly approved by Zebra Technologies Corporation could void the user's authority to operate the equipment. To ensure compliance, this printer must be used with Shielded Communication Cables.

FCC Radiation Exposure Statement (for printers with radios or RFID encoders)

This equipment complies with FCC radiation exposure limits set forth for an uncontrolled environment. This equipment should be installed and operated with minimum distance 20 cm between the radiator and your body.

This transmitter must not be co-located or operating in conjunction with any other antenna or transmitter.

Canadian DOC Compliance Statement

This Class B digital apparatus complies with Canadian ICES-003.

Cet appareil numérique de la classe B est conforme à la norme NMB-003 du Canada.

Contents



Declaration of Conformity	3
Compliance Information	4
About This Document	9
Who Should Use This Document	10
How This Document Is Organized	10
Contacts	11
Document Conventions	12
1 • Introduction	15
External View	16
Printer Media Compartment	18
Control Panel	19
Control Panel Buttons	20
Control Panel Lights	21
Printer Language Modes	22
Firmware Downloads	22
Additional Printer Language Information	22
2 • Printer Setup	23
Before You Begin	24
Handling the Printer	25
Unpack and Inspect the Printer	25
Store the Printer	25
Ship the Printer	25

Select a Site for the Printer	26
Select a Surface	26
Provide Proper Operating Conditions	26
Allow Proper Space	26
Provide a Data Source	26
Provide a Power Source	26
Select a Data Communication Interface	27
Data Cables and Wireless Cards	31
Connect the Printer to a Power Source	32
Power Cord Specifications	33
Types of Media	34
Ribbon Overview	36
When to Use Ribbon	36
Coated Side of Ribbon	36
3 • Operations	39
Print Modes and Printer Options	40
Print Mode Descriptions and Printer Requirements	40
Media Paths	41
Load Media	43
Beginning Steps for all Print Modes and Printer Options	43
Additional Steps for Tear-Off Mode	47
Additional Steps for Peel-Off Mode (with or without Liner Take-Up)	48
Additional Steps for Cutter or Delayed Cut Mode	53
Additional Steps for Rewind Mode	54
Load Ribbon	58
Remove Used Ribbon	62
Calibrate the Printer	63
Auto Calibration	63
Manual Calibration	63
Adjust Printhead Pressure	64
4 • Configuration	67
Setup Mode	68
Enter and Use Setup Mode	68
Exit Setup Mode	69
Change Password-Protected Parameters	70
Default Password Value	70
Disable the Password Protection Feature	70
Print a Configuration Label	71
Print a Network Configuration Label	72
Standard Control Panel Parameters	73
Additional Control Panel Parameters	98

- 5 • Routine Maintenance 99**
 - Replacing Printer Components 100
 - Ordering Replacement Parts 100
 - Recycling Printer Components 100
 - Lubrication 100
 - Cleaning Schedule and Procedures 101
 - Clean the Exterior 101
 - Clean the Printhead and Platen Roller 102
 - Clean the Media Compartment and Sensors 105
 - Clean the Cutter Module 106
 - Routine Maintenance for the Rewind Option 108
 - Remove Printed Labels or Liner from the Rewind Spindle 108
 - Adjust Media Alignment for Rewind Option 110
- 6 • Troubleshooting 111**
 - Troubleshooting Checklists 112
 - LCD Error Messages 113
 - Print Quality Problems 117
 - Calibration Problems 120
 - Communications Problems 121
 - Ribbon Problems 122
 - RFID Problems 123
 - Miscellaneous Printer Problems 126
 - Printer Diagnostics 129
 - Power-On Self Test 129
 - CANCEL Self Test 130
 - PAUSE Self Test 131
 - FEED Self Test 132
 - FEED and PAUSE Self Test 135
 - Communications Diagnostics Test 136
 - Sensor Profile 137
- 7 • Specifications 139**
 - General Specifications 140
 - Printing Specifications 141
 - Media Specifications 143
 - Ribbon Specifications 144
 - Printer Options 145
- Index 147**



Notes • _____



About This Document

This section provides you with contact information, document structure and organization, and additional reference documents.

Contents

Who Should Use This Document	10
How This Document Is Organized	10
Contacts	11
Document Conventions	12

Who Should Use This Document

This User Guide is intended for use by any person who needs to operate or to troubleshoot problems with the printer.

How This Document Is Organized

The User Guide is set up as follows:

Section	Description
<i>Introduction on page 15</i>	This section shows the operational controls and location of major components used when loading media.
<i>Printer Setup on page 23</i>	This section provides the tasks that you must complete and the issues that you must consider before you load and configure your printer.
<i>Operations on page 39</i>	This section provides the procedures for loading and calibrating the printer.
<i>Configuration on page 67</i>	This section describes the control panel parameters that are used to configure the printer for operation.
<i>Routine Maintenance on page 99</i>	This section provides routine cleaning and maintenance procedures.
<i>Troubleshooting on page 111</i>	This section provides information about errors that you might need to troubleshoot. Assorted diagnostic tests are included.
<i>Specifications on page 139</i>	This section provides the features of and specifications for the printer.

Contacts

Technical Support via the Internet is available 24 hours per day, 365 days per year.

Web Site: www.zebra.com

E-mail Back Technical Library:

E-mail address: emb@zebra.com

Subject line: Emaillist

Self Service Knowledge Base: www.zebra.com/knowledgebase

Online Case Registration: www.zebra.com/techrequest

Which Department Do You Need?	The Americas	Europe, Middle East, and Africa	Asia Pacific and India
Regional Headquarters	Zebra Technologies Corporation 475 Half Day Road, Suite 500 Lincolnshire, IL 60069 USA T: +1 847 634 6700 Toll-free +1 866 230 9494 F: +1 847 913 8766	Zebra Technologies Europe Limited Dukes Meadow Millboard Road Bourne End Buckinghamshire, SL8 5XF United Kingdom T: +44 (0) 1628 556000 F: +44 (0) 1628 556001	Zebra Technologies Asia Pacific Pte. Ltd. 120 Robinson Road #06-01 Parakou Building Singapore 068913 T: + 65 6858 0722 F: +65 6885 0838
Technical Support For questions on the operation of Zebra equipment and software, please call your distributor. For additional assistance, contact us. <i>Please have your model and serial numbers available.</i>	T: +1 877 ASK ZEBRA (275 9327) F: +1 847 913 2578 Hardware: ts1@zebra.com Software: ts3@zebra.com <i>Kiosk printers:</i> T: +1 866 322 5202 E: kiosksupport@zebra.com	T: +44 (0) 1628 556039 F: +44 (0) 1628 556003 E: Tseurope@zebra.com	T: +65 6858 0722 F: +65 6885 0838 E: China: tschina@zebra.com <i>All other areas:</i> tsasiapacific@zebra.com
Repair Service Department For back-to-base service and repair.	T: +1 877 ASK ZEBRA (275 9327) F: +1 847 821 1797 E: repair@zebra.com To request a repair in the U.S., go to www.zebra.com/repair .	T: +44 (0) 1772 693069 F: +44 (0) 1772 693046 New requests: ukrma@zebra.com Status updates: repairupdate@zebra.com	T: +65 6858 0722 F: +65 6885 0838 E: China: tschina@zebra.com <i>All other areas:</i> tsasiapacific@zebra.com
Technical Training Department For Zebra product training courses.	T: +1 847 793 6868 T: +1 847 793 6864 F: +1 847 913 2578 E: ttamerica@zebra.com	T: +44 (0) 1628 556000 F: +44 (0) 1628 556001 E: Eurtraining@zebra.com	T: + 65 6858 0722 F: +65 6885 0838 E: China: tschina@zebra.com <i>All other areas:</i> tsasiapacific@zebra.com
Inquiry Department For product literature and distributor and dealer information.	T: +1 877 ASK ZEBRA (275 9327) E: inquiry4@zebra.com	T: +44 (0) 1628 556037 F: +44 (0) 1628 556005 E: mseurope@zebra.com	E: China: GCmarketing@zebra.com <i>All other areas:</i> APACChannelmarketing@zebra.com
Customer Service Department (US) Internal Sales Department (UK) For printers, parts, media, and ribbon, please call your distributor or contact us.	T: +1 877 ASK ZEBRA (275 9327) E: clientcare@zebra.com	T: +44 (0) 1628 556032 F: +44 (0) 1628 556001 E: cseurope@zebra.com	T: +65 6858 0722 F: +65 6885 0836 E: China: order-csr@zebra.com <i>All other areas:</i> csasiapacific@zebra.com

Key: T: Telephone
F: Facsimile
E: E-mail

Document Conventions

The following conventions are used throughout this document to convey certain information.

Alternate Color (online only) Cross-references contain hot links to other sections in this guide. If you are viewing this guide online in .pdf format, you can click the cross-reference ([blue text](#)) to jump directly to its location.

LCD Display Examples Text from a printer's Liquid Crystal Display (LCD) appears in **Bubbledot ICG** font.

Command Line Examples Command line examples appear in `Courier New` font. For example, type `ZTools` to get to the Post-Install scripts in the `bin` directory.

Files and Directories File names and directories appear in `Courier New` font. For example, the `Zebra<version number>.tar` file and the `/root` directory.

Icons Used



Caution • Warns you of the potential for electrostatic discharge.



Caution • Warns you of a potential electric shock situation.



Caution • Warns you of a situation where excessive heat could cause a burn.



Caution • Advises you that failure to take or avoid a specific action could result in physical harm to you.

Caution • (No icon) Advises you that failure to take or avoid a specific action could result in physical harm to the hardware.



Important • Advises you of information that is essential to complete a task.



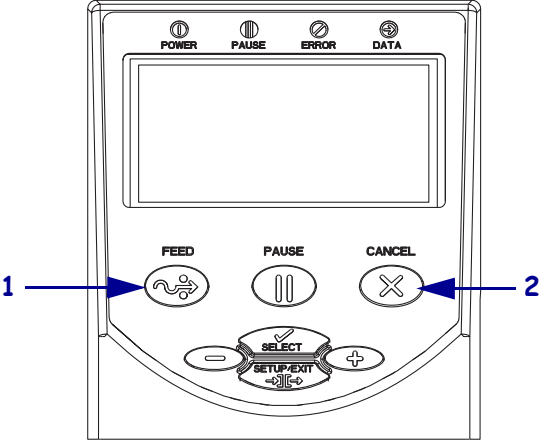
Note • Indicates neutral or positive information that emphasizes or supplements important points of the main text.



Example • Provides an example, often a scenario, to better clarify a section of text.

Illustration Callouts Callouts are used when an illustration contains information that needs to be labeled and described. A table that contains the labels and descriptions follows the graphic. [Figure 1](#) provides an example.

Figure 1 • Sample Figure with Callouts



1	FEED button
2	CANCEL button



Introduction

This section shows the operational controls and location of major components used when loading media.

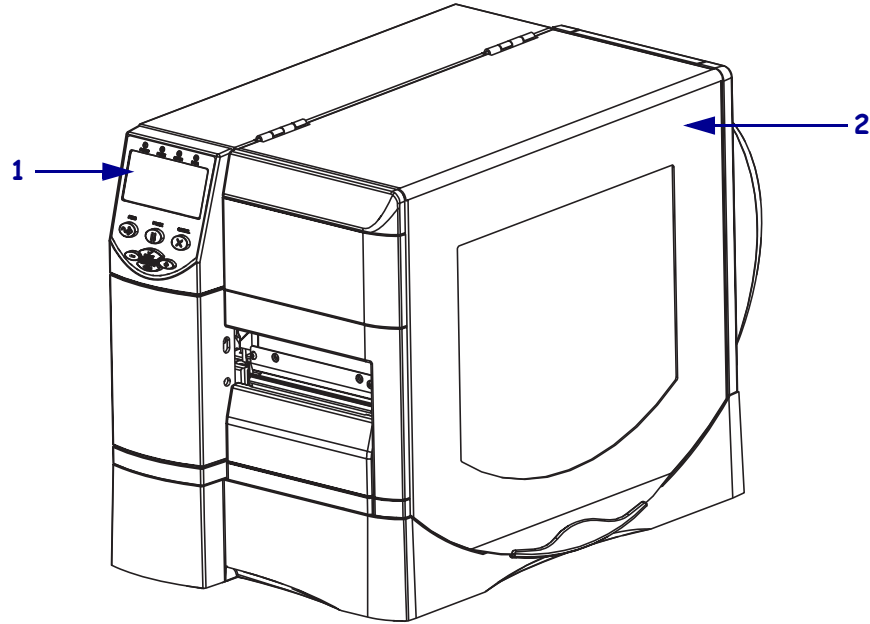
Contents

External View	16
Printer Media Compartment	18
Control Panel	19
Control Panel Buttons	20
Control Panel Lights	21
Printer Language Modes	22
Firmware Downloads	22
Additional Printer Language Information	22

External View

Figure 2 and Figure 3 show the components and connections on the outside of the printer.

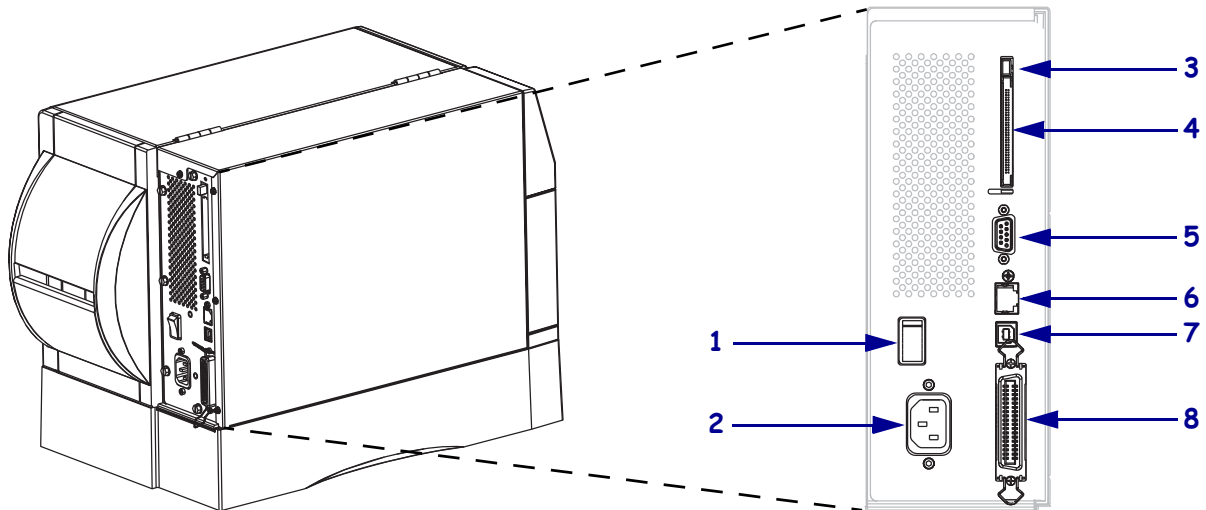
Figure 2 • Front of Printer



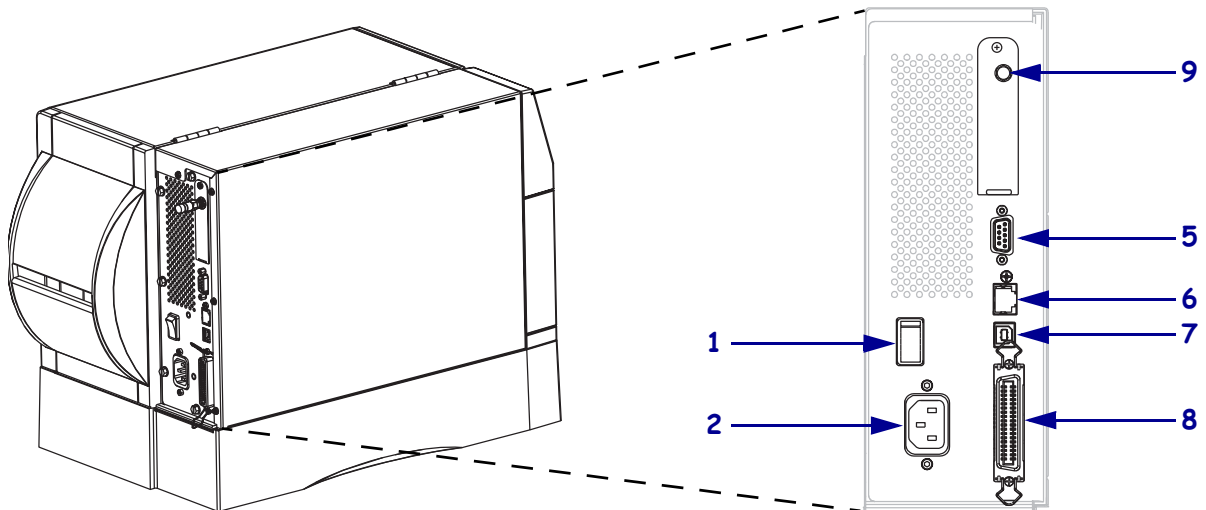
1	Control panel
2	Media door

Figure 3 • Rear of Printer

(All Standard Connectors, Internal 10/100 Wired Print Server, and Wireless Plus Print Server Shown)



(All Standard Connectors, Internal 10/100 Wired Print Server, and Wireless Print Server with Integrated Radio Shown)



1	Power switch (O = off, I = on)
2	AC power connector
3	Wireless card ejector button
4	Wireless Plus print server card slot (Ethernet option)

5	Serial port
6	Internal wired print server port (Ethernet option)
7	USB port
8	Parallel port
9	Antenna for wireless print server with integrated radio (Ethernet option)

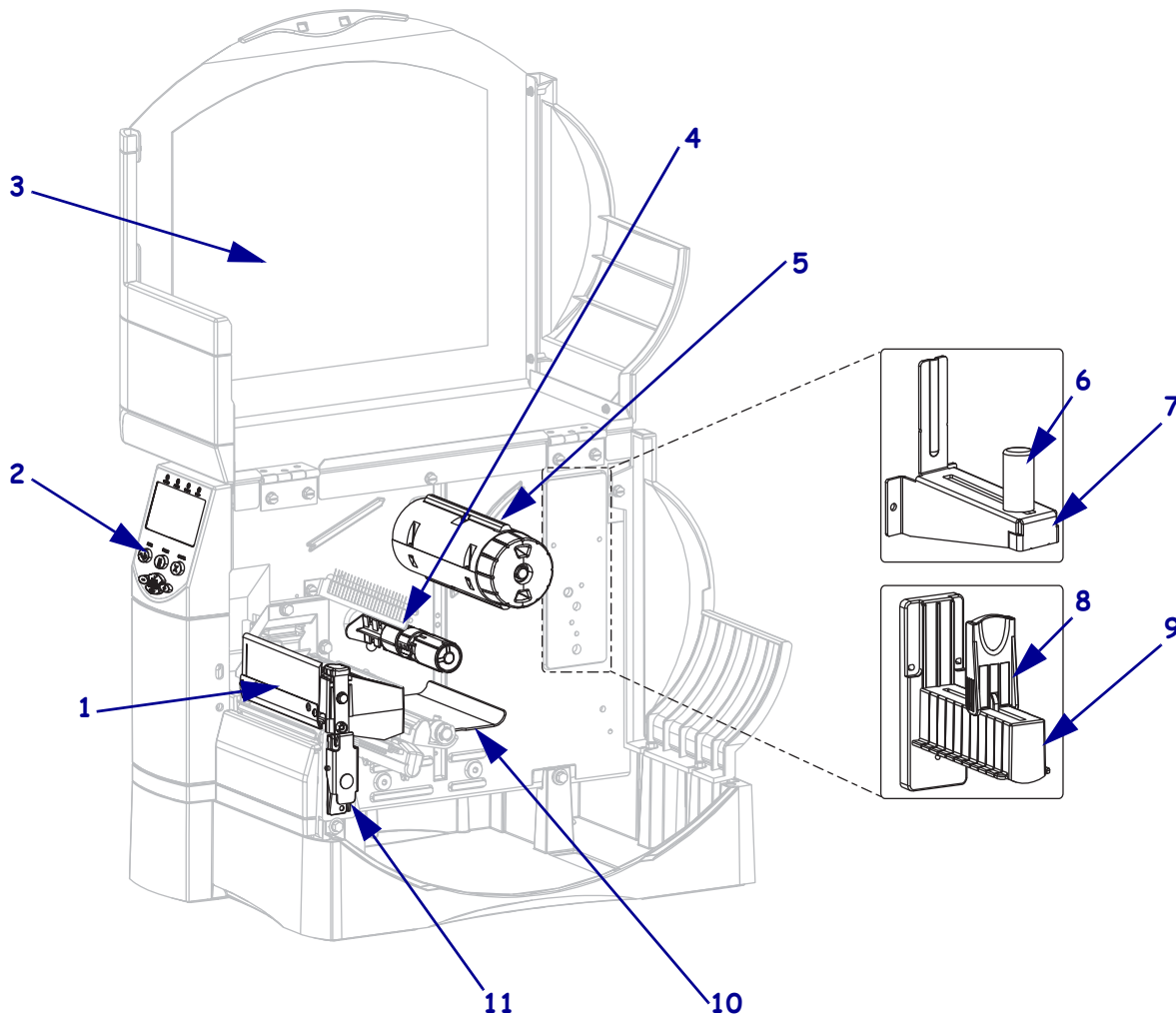
Printer Media Compartment

Figure 4 shows the components inside the media compartment of your printer. Depending on installed options, your printer may look slightly different.



Note • For optimal printing quality and proper printer performance across our product line, Zebra strongly recommends the use of genuine Zebra™ supplies as part of the total solution. Specifically, the ZM400, ZM600, RZ400, and RZ600 are designed to work only with genuine Zebra™ printheads, thus maximizing safety and print quality.

Figure 4 • Printer Components



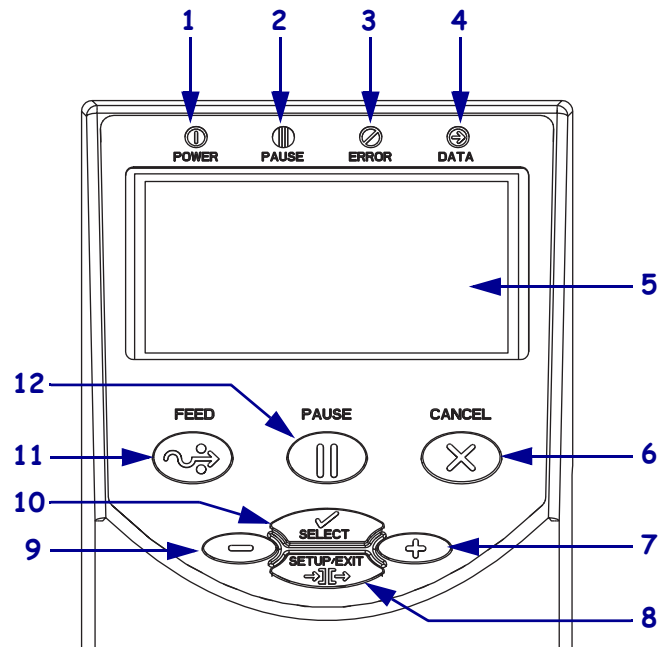
1	Printhead assembly
2	Control panel
3	Media door
4	Ribbon supply spindle
5	Ribbon take-up spindle

6	Media supply guide (newer models)
7	Media supply hanger (newer models)
8	Media supply guide (older models)
9	Media supply hanger (older models)
10	Dancer assembly
11	Printhead release latch

Control Panel

The control panel contains the lights that indicate basic operation and the buttons that you may need to press during basic operation. The control panel buttons and lights are labeled in Figure 5. Descriptions for each are located in Table 1 and Table 2.

Figure 5 • Control Panel



1	Power LED
2	Pause LED
3	Error LED
4	Data LED
5	LCD
6	CANCEL button
7	PLUS (+) button
8	SETUP/EXIT button
9	MINUS (-) button
10	SELECT button
11	FEED button
12	PAUSE button

Control Panel Buttons

Table 1 • Control Panel Buttons

Button	Function
FEED	Forces the printer to feed one blank label each time the button is pressed. <ul style="list-style-type: none"> • Printer not printing: one blank label immediately feeds. • Printing: one blank label feeds after the current batch of labels is complete.
PAUSE	Starts and stops the printing process. <ul style="list-style-type: none"> • Printer not printing: no printing occurs. (Press PAUSE again to resume printing.) • Printing: printing stops after the current label is complete.
CANCEL	Cancels print jobs when the printer is paused. <ul style="list-style-type: none"> • Printer not printing: the next stored label format does not print. • Printing: current label completes printing, and the next label format is cancelled. Press and hold for several seconds to cancel all print jobs in memory.
SETUP/EXIT	Enters and exits the configuration mode.
SELECT	Toggles the function of PLUS (+) and MINUS (–) between the Scroll and Change Modes. <ul style="list-style-type: none"> • Press once to use PLUS (+) and MINUS (–) to change the values of the selection. • Press again to use PLUS (+) and MINUS (–) to scroll through the menu items.
PLUS (+) (scroll mode)	Scrolls to the next selection.
PLUS (+) (change mode)	<ul style="list-style-type: none"> • Increases the value. • Performs the action on the bottom right of the LCD.
MINUS (–) (scroll mode)	Scrolls to the previous selection.
MINUS (–) (change mode)	<ul style="list-style-type: none"> • Decreases the value. • Moves to the next available digit in a number. • Performs the action on the bottom left of the LCD.

Control Panel Lights

Table 2 • Control Panel Lights

Light	Status	Indication
POWER	Off	The printer is off, or no power is applied.
	On	The printer is on.
PAUSE	Off	Normal printer operation.
	On	The printer has stopped all printing operations.
	Flashing	The Pause light flashes when initializing FLASH memory and in Peel-Off Mode when the label is available.
ERROR	Off	Normal printer operation (no errors).
	On	An error condition is preventing printing. This includes MEDIA OUT and RIBBON OUT errors.
	Flashing	An error condition exists, but printing is allowed to continue. This includes RIBBON IN warning, HEAD UNDER TEMP warning, and HEAD OVER TEMP error.
DATA	Off	Normal operation. No data being received or processed.
	On	The printer is processing data or is printing. No data is being received.
	Blinking quickly	The printer is receiving data from or sending status information to the host computer.

Printer Language Modes

Depending on how your printer was ordered, it came from the factory with firmware that operates in or allows you to use certain commands for one of the following printer languages:

- Zebra Programming Language (ZPL[®]), which includes XML
- Eltron[®] Programming Language (EPL[™])



Note • The following restrictions apply:

- EPL is supported only on 203 dpi printers.
- With older firmware, RFID functionality is available only with R53.X firmware, which operates in ZPL mode with XML.

Firmware Downloads

You may download firmware to the printer at any time to change from one printer language to another. For the latest firmware versions and instructions for downloading them, go to <http://www.zebra.com/firmware>.



Note • When the printer changes from one printer language to another, error messages may appear on the LCD, and some control panel lights may activate in error mode. You may ignore these error messages and lights. When the firmware download is complete, reboot the printer and then load printer defaults to return the printer to Operating mode.

Additional Printer Language Information

The following manuals contain specific information about the different printer language modes. Copies of these manuals are on the CD that came with your printer and at <http://www.zebra.com/manuals>.

- Zebra Programming Guide for ZPL, ZBI, Set-Get-Do, Mirror, and WML
- EPL2[™] Programming Guide
-



Printer Setup

This section provides the tasks that you must complete and the issues that you must consider before you load and configure your printer.

Contents

Before You Begin	24
Handling the Printer	25
Unpack and Inspect the Printer	25
Store the Printer	25
Ship the Printer	25
Select a Site for the Printer	26
Select a Surface.	26
Provide Proper Operating Conditions	26
Allow Proper Space	26
Provide a Data Source	26
Provide a Power Source	26
Select a Data Communication Interface.	27
Data Cables and Wireless Cards	31
Connect the Printer to a Power Source	32
Power Cord Specifications	33
Types of Media	34
Ribbon Overview	36
When to Use Ribbon	36
Coated Side of Ribbon	36

Before You Begin

Review this checklist, and resolve any issues before you set up or use your printer.

- Unpack and Inspect the Printer** Have you unpacked the printer and inspected it for damage? If you have not, see [Unpack and Inspect the Printer on page 25](#).
- Select a Site** Have you selected an appropriate location for the printer? If you have not, see [Select a Site for the Printer on page 26](#).
- Connect to a Data Source** Have you determined how the printer will connect to a data source (usually a computer)? For more information, see [Select a Data Communication Interface on page 27](#).
- Attach a Power Cord** Do you have the correct power cord for your printer? If you are unsure, see [Power Cord Specifications on page 33](#). To attach the power cord and connect the printer to a power source, see [Connect the Printer to a Power Source on page 32](#).
- Select Media** Do you have the correct media for your application? If you are unsure, see [Types of Media on page 34](#).
- Select Ribbon** Do you need to use ribbon, and is the appropriate ribbon available, if needed? If you are unsure, see [Ribbon Overview on page 36](#).

Handling the Printer

This section describes how to handle your printer.

Unpack and Inspect the Printer

When you receive the printer, immediately unpack it and inspect for shipping damage.

- Save all packing materials.
- Check all exterior surfaces for damage.
- Raise the media door, and inspect the media compartment for damage to components.

If you discover shipping damage upon inspection:

- Immediately notify the shipping company and file a damage report.
- Keep all packaging material for shipping company inspection.
- Notify your authorized Zebra reseller



Important • Zebra Technologies Corporation is not responsible for any damage incurred during the shipment of the equipment and will not repair this damage under warranty.

Store the Printer

If you are not placing the printer into immediate operation, repackage it using the original packing materials. You may store the printer under the conditions shown in [Table 3](#).

Table 3 • Storage Temperature and Humidity

Temperature	Relative Humidity
-40°F to 140°F (-40° to 60°C)	5% to 85% non-condensing

Ship the Printer

If you must ship the printer:

- Turn off (O) the printer, and disconnect all cables.
- Remove any media, ribbon, or loose objects from the printer interior.
- Close the printhead.
- Carefully pack the printer into the original container or a suitable alternate container to avoid damage during transit. A shipping container can be purchased from Zebra if the original packaging has been lost or destroyed.

Select a Site for the Printer

Consider the following when selecting an appropriate location for your printer.

Select a Surface

Select a solid, level surface of sufficient size and strength to accommodate the printer and other equipment (such as a computer), if necessary. The choices include a table, countertop, desk, or cart. For the printer's weight and dimensions, see [General Specifications on page 140](#).

Provide Proper Operating Conditions

This printer is designed to function in a wide range of environmental and electrical conditions, including a warehouse or factory floor. For more information on the required conditions, see [General Specifications on page 140](#).

Table 4 shows the temperature and relative humidity requirements for the printer when it is operating.

Table 4 • Operating Temperature and Humidity

Mode	Temperature	Relative Humidity
Thermal Transfer	40° to 105°F (5° to 40°C)	20 to 85% non-condensing.
Direct Thermal	32° to 105°F (0° to 40°C)	20 to 85% non-condensing

Allow Proper Space

The printer should have enough space around it for you to be able to open the media door. To allow for proper ventilation and cooling, leave open space on all sides of the printer.



Caution • Do not place any padding or cushioning material behind or under the printer because this restricts air flow and could cause the printer to overheat.

Provide a Data Source

If the printer will be located away from the data source (such as a computer), the selected site must provide the appropriate connections to that data source. For more information on the types of communication interfaces and their limitations, see [Select a Data Communication Interface on page 27](#).

Provide a Power Source

Place the printer within a short distance of a power outlet that is easily accessible.

Select a Data Communication Interface

Table 5 provides basic information about data communication interfaces that you can use to connect your printer to a computer. You may send label formats to the printer through any data communication interface that is available. Select an interface that is supported by both your printer and your computer or your Local Area Network (LAN).

Table 5 also shows how to connect the different types of data cables to your printer and computer. The connectors on the back of your computer may be in different locations than on the sample computer shown in this section.

Caution • Ensure that the printer power is off (O) before connecting data communications cables. Connecting a data communications cable while the power is on (I) may damage the printer.

Table 5 • Data Communication Interfaces

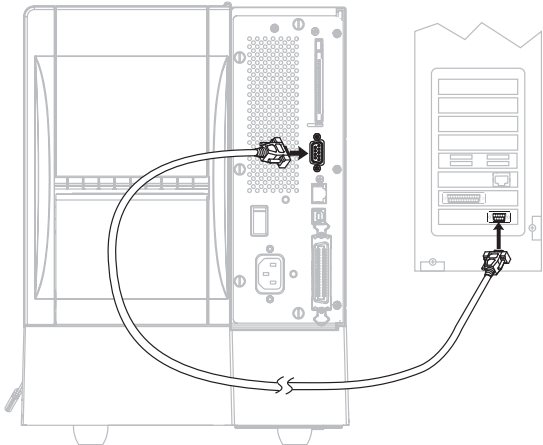
Interface	Standard or Optional	Description
RS-232 Serial	Standard	<p>Limitations and Requirements</p> <ul style="list-style-type: none"> • Maximum cable length of 50 ft (15.24 m). • You may need to change printer parameters to match the host computer. • You need to use a null-modem adaptor to connect to the printer if using a standard modem cable. <hr/> <p>Connections and Configuration The baud rate, number of data and stop bits, the parity, and the XON/XOFF or DTR control must match those of the host computer. See Standard Control Panel Parameters on page 73 to view or change these parameters.</p> 

Table 5 • Data Communication Interfaces (Continued)

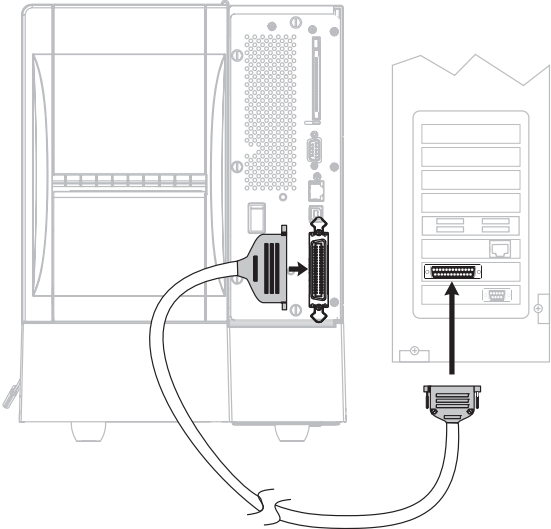
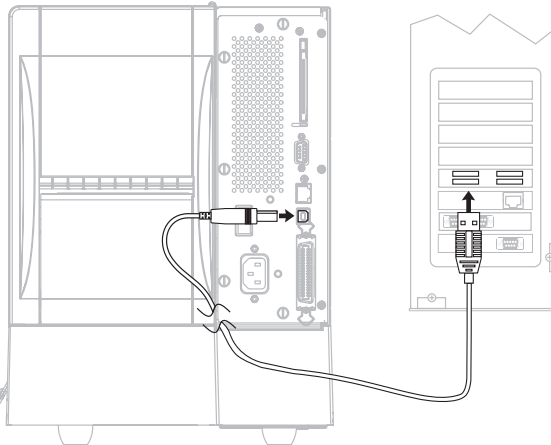
Interface	Standard or Optional	Description
IEEE 1284 Bidirectional Parallel	Standard	<p>Limitations and Requirements</p> <ul style="list-style-type: none"> • Maximum cable length of 10 ft (3 m). • Recommended cable length of 6 ft (1.83 m). • No printer parameter changes required to match the host computer. <hr/> <p>Connections and Configuration No additional configuration is necessary.</p> 
USB	Standard	<p>Limitations and Requirements</p> <ul style="list-style-type: none"> • Maximum cable length of 16.4 ft (5 m). • No printer parameter changes required to match the host computer. <hr/> <p>Connections and Configuration No additional configuration is necessary.</p> <p>Caution • Be careful not to plug the USB cable into the wired Ethernet print server connector on the printer because doing so will damage the connector.</p> 

Table 5 • Data Communication Interfaces (Continued)

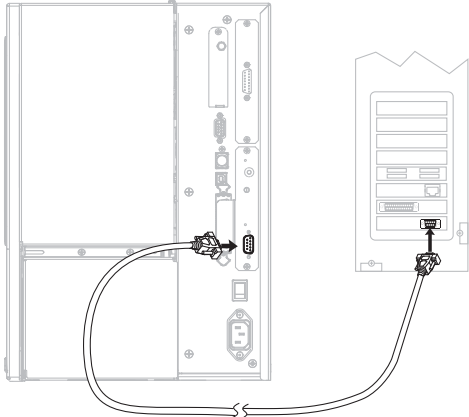

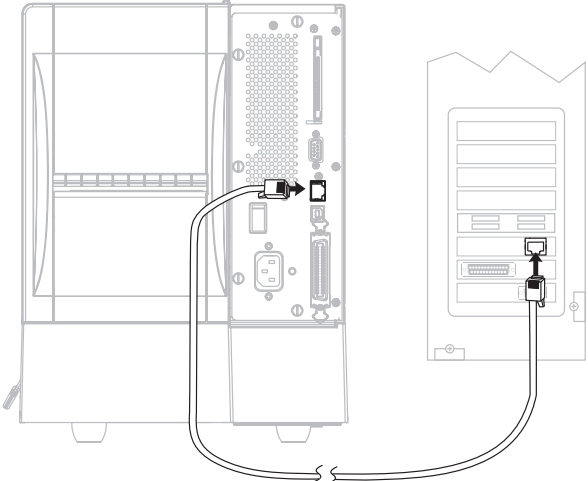
Interface	Standard or Optional	Description
Twinax/Coax	Optional	<p>Limitations and Requirements</p> <ul style="list-style-type: none"> • Acts as an EBCDIC to ASCII converter. • Allows for the ability to communicate with the printer in an IBM® AS/400® environment. <hr/> <p>Connections and Configuration No additional configuration is necessary. To purchase this option, contact your authorized Zebra reseller.</p>  <p>The diagram illustrates the physical connection of a Twinax/Coax cable. On the left, a host system's rear panel features a specific connector. On the right, a printer's rear panel has a corresponding connector. A cable with a specialized connector on each end is shown connecting the two devices.</p>

Table 5 • Data Communication Interfaces (Continued)

Interface	Standard or Optional	Description
Internal wired Ethernet print server	Optional	<p>Limitations and Requirements</p> <ul style="list-style-type: none"> • Can print to the printer from any computer on your LAN. • Can communicate with the printer through the printer’s web pages when in ZPL mode. • The printer must be configured to use your LAN. <hr/> <p>Connections and Configuration Refer to the <i>ZebraNet 10/100 Print Server User and Reference Guide</i> for configuration instructions. A copy of this manual is available at http://www.zebra.com/manuals or on the user CD that came with your printer.</p> <p> Note • To use this connection, you may need to remove a factory-installed plug that is designed to keep someone from accidentally plugging a USB connector into this port.</p> 
Wireless Ethernet print server	Optional	<p>Limitations and Requirements</p> <ul style="list-style-type: none"> • Can print to the printer from any computer on your Wireless Local Area Network (WLAN). • Can communicate with the printer through the printer’s web pages when in ZPL mode. • The printer must be configured to use your WLAN. <hr/> <p>Configuration Refer to the <i>ZebraNet Wireless User Guide</i> for configuration instructions. A copy of this manual is available at http://www.zebra.com/manuals or on the user CD that came with your printer.</p>

Data Cables and Wireless Cards

You must supply all data cables or removeable radio cards for your application. (Some wireless print servers come with an integrated radio card.)

Data Cables Ethernet cables do not require shielding, but all other data cables must be fully shielded and fitted with metal or metallized connector shells. Unshielded data cables may increase radiated emissions above the regulated limits.

To minimize electrical noise pickup in the cable:

- Keep data cables as short as possible.
- Do not bundle the data cables tightly with the power cords.
- Do not tie the data cables to power wire conduits.

Wireless Cards For supported wireless cards, refer to the *ZebraNet Wireless User Guide*. A copy of the manual is available at <http://www.zebra.com/manuals> or on the user CD that came with your printer.

Connect the Printer to a Power Source

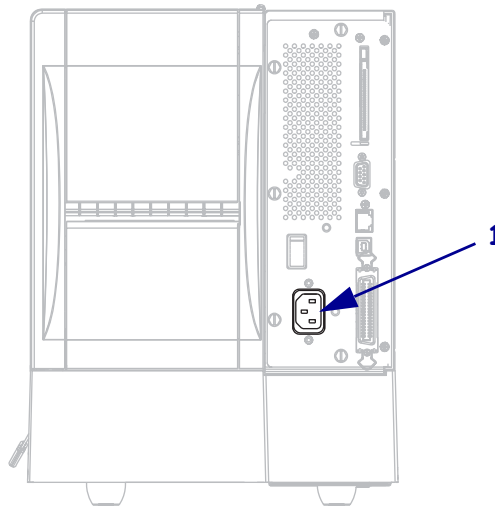
The AC power cord must have a three-prong female connector on one end that plugs into the mating AC power connector at the rear of the printer. If a power cable was not included with your printer, refer to *Power Cord Specifications* on page 33.



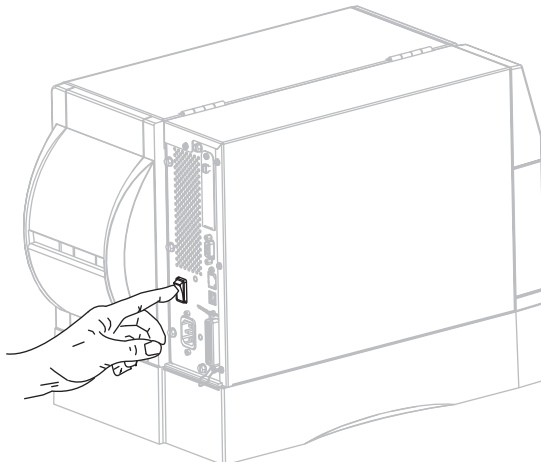
Caution • For personnel and equipment safety, always use an approved three-conductor power cord specific to the region or country intended for installation. This cord must use an IEC 320 female connector and the appropriate region-specific three-conductor grounded plug configuration.

To connect the printer to a power source, complete these steps:

1. Toggle the printer power switch to the off (O) position.
2. Plug the power cord into the AC power connector (1) on the rear of the printer.



3. Plug the other end of the power cord into a power outlet near the printer.
4. Turn on (I) the printer.



The control panel LCD and lights activate, indicating that the printer is booting up.

Power Cord Specifications

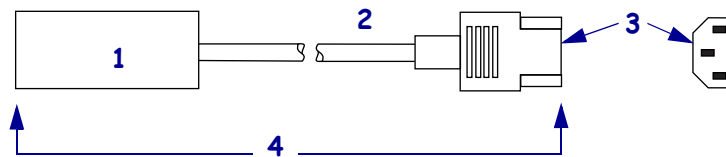


Caution • For personnel and equipment safety, always use an approved three-conductor power cord specific to the region or country intended for installation. This cord must use an IEC 320 female connector and the appropriate region-specific, three-conductor grounded plug configuration.

Depending on how your printer was ordered, a power cord may or may not be included. If one is not included or if the one included is not suitable for your requirements, see [Figure 6](#) and refer to the following guidelines:

- The overall cord length must be less than 9.8 ft. (3 m).
- The cord must be rated for at least 10 A, 250 V.
- The chassis ground (earth) **must** be connected to ensure safety and reduce electromagnetic interference.

Figure 6 • Power Cord Specifications



1	AC power plug for your country—This should bear the certification mark of at least one of the known international safety organizations (Figure 7).
2	3-conductor HAR cable or other cable approved for your country.
3	IEC 320 connector—This should bear the certification mark of at least one of the known international safety organizations (Figure 7).
4	Length ≤ 9.8 ft. (3 m). Rating 10 Amp, 250 VAC.

Figure 7 • International Safety Organization Certifications



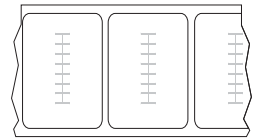
Types of Media



Important • Zebra strongly recommends the use of Zebra-brand supplies for continuous high-quality printing. A wide range of paper, polypropylene, polyester, and vinyl stock has been specifically engineered to enhance the printing capabilities of the printer and to prevent premature printhead wear. To purchase supplies, go to <http://www.zebra.com/howtobuy>.

Your printer can use various types of media:

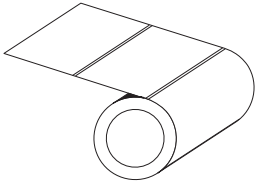
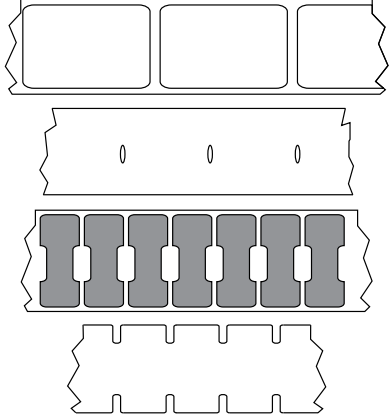

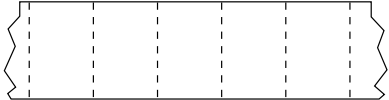
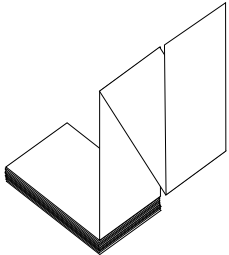
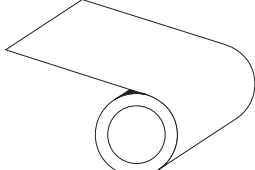
- *Standard media*—Most standard media uses an adhesive backing that sticks individual labels or a continuous length of labels to a liner.
- *Tag stock*—Tags are usually made from a heavy paper. Tag stock does not have adhesive or a liner, and it is typically perforated between tags.
- *Radio frequency identification (RFID) “smart” media*—RFID media can be used in a printer that is equipped with an RFID reader/encoder. RFID labels are made from the same materials and adhesives as non-RFID labels. Each label has an RFID transponder (sometimes called an “inlay”), made of a chip and an antenna, embedded between the label and the liner. The shape of the transponder varies by manufacturer and is visible through the label. All “smart” labels have memory that can be read, and many have memory that can be encoded.



Important • Transponder placement within a label depends on the transponder type and the printer model. Make sure that you are using the correct “smart” media for your printer. For more information, refer to the *RFID Programming Guide*. A copy is available at <http://www.zebra.com/manuals> or on the user CD that came with your printer.

Table 6 describes roll and fanfold media. Roll media is loaded into the printer while fanfold media may be located inside or outside of the printer.

Table 6 • Roll and Fanfold Media

Media Type	How It Looks	Description
<p>Non-Continuous Roll Media</p>		<p>Roll media is wound on a 3-in. (76-mm) core. Individual labels are separated by one or more of the following methods:</p> <ul style="list-style-type: none"> <p><i>Web media</i> separates labels by gaps, holes, or notches.</p>  <p><i>Black mark media</i> uses pre-printed black marks on the back side of the media to indicate label separations.</p>  <p><i>Perforated media</i> has perforations that allow the labels or tags to be separated from each other easily. The media may also have black marks or other separations between labels or tags.</p> 
<p>Non-Continuous Fanfold Media</p>		<p>Fanfold media is folded in a zigzag pattern. Fanfold media can have the same label separations as non-continuous roll media. The separations would fall on or near the folds.</p>
<p>Continuous Roll Media</p>		<p>Roll media is wound on a 3-in. (76-mm) core. Continuous roll media does not have gaps, holes, notches, or black marks to indicate label separations. This allows the image to be printed anywhere on the label. Sometimes a cutter is used to cut apart individual labels.</p>

Ribbon Overview

Ribbon is a thin film that is coated on one side with wax, resin, or wax resin, which is transferred to the media during the thermal transfer process. The media determines whether you need to use ribbon and how wide the ribbon must be.

When ribbon is used, it must be as wide as or wider than the media being used. If the ribbon is narrower than the media, areas of the printhead are unprotected and subject to premature wear.

When to Use Ribbon

Thermal transfer media requires ribbon for printing while direct thermal media does not. To determine if ribbon must be used with a particular media, perform a media scratch test.

To perform a media scratch test, complete these steps:

1. Scratch the print surface of the media rapidly with your fingernail.
2. Did a black mark appear on the media?

If a black mark...	Then the media is...
Does not appear on the media	Thermal transfer. A ribbon is required.
Appears on the media	Direct thermal. No ribbon is required.

Coated Side of Ribbon

Ribbon can be wound with the coated side on the inside or outside. The ribbon used must match the Thermal Transfer option installed. The standard Thermal Transfer option (black ribbon spindle) uses ribbon coated on the outside, and the alternate Thermal Transfer option (gray ribbon spindle, available on the ZM400 and RZ400 only) uses ribbon coated on the inside. If you are unsure which side of a particular roll of ribbon is coated, perform an adhesive test or a ribbon scratch test to determine which side is coated.



Adhesive Test

If you have labels available, perform the adhesive test to determine which side of a ribbon is coated. This method works well for ribbon that is already installed.

To perform an adhesive test, complete these steps:

1. Peel a label from its liner.
2. Press a corner of the sticky side of the label to the outer surface of the roll of ribbon.
3. Peel the label off of the ribbon.

4. Observe the results. Did flakes or particles of ink from the ribbon adhere to the label?


If ink from the ribbon...	Then...
Adhered to the label	The ribbon is coated on the outside and can be used with the standard Thermal Transfer option (black ribbon spindle). In the ribbon loading procedure, instructions are marked with this symbol. 
Did not adhere to the label	The ribbon is coated on the inside and can be used with the alternate Thermal Transfer option (gray ribbon spindle). In the ribbon loading procedure, instructions are marked with this symbol. 

Ribbon Scratch Test

Perform the ribbon scratch test when labels are unavailable.

To perform a ribbon scratch test, complete these steps:

1. Unroll a short length of ribbon.
2. Place the unrolled section of ribbon on a piece of paper with the outer surface of the ribbon in contact with the paper.
3. Scratch the inner surface of the unrolled ribbon with your fingernail.
4. Lift the ribbon from the paper.
5. Observe the results. Did the ribbon leave a mark on the paper?

If the ribbon...	Then...
Left a mark on the paper	The ribbon is coated on the outside and can be used with the standard Thermal Transfer option (black ribbon spindle).
Did not leave a mark on the paper	The ribbon is coated on the inside and can be used with the alternate Thermal Transfer option (gray ribbon spindle). In the ribbon loading procedure, instructions are marked with this symbol. 



Notes • _____



Operations

This section provides the procedures for loading and calibrating the printer.



Note • Complete the tasks and resolve the issues in [Printer Setup on page 23](#) before operating the printer.

Contents

Print Modes and Printer Options	40
Print Mode Descriptions and Printer Requirements	40
Media Paths	41
Load Media	43
Beginning Steps for all Print Modes and Printer Options	43
Additional Steps for Tear-Off Mode	47
Additional Steps for Peel-Off Mode (with or without Liner Take-Up)	48
Additional Steps for Cutter or Delayed Cut Mode	53
Additional Steps for Rewind Mode	54
Load Ribbon	58
Remove Used Ribbon	62
Calibrate the Printer	63
Auto Calibration	63
Manual Calibration	63
Adjust Printhead Pressure	64

Print Modes and Printer Options

The printer can use different print modes and options for label removal (Table 7). Use a print mode that matches the media being used and the printer options available. For more information on the types of media, see *Types of Media* on page 34. To select a print mode, see *Select Print Mode* on page 76.

Print Mode Descriptions and Printer Requirements

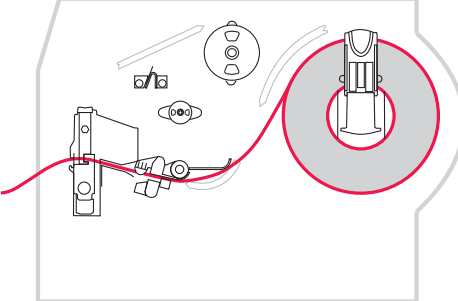
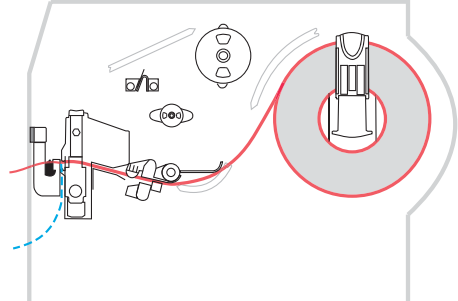
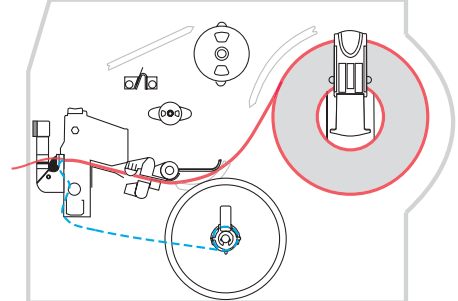
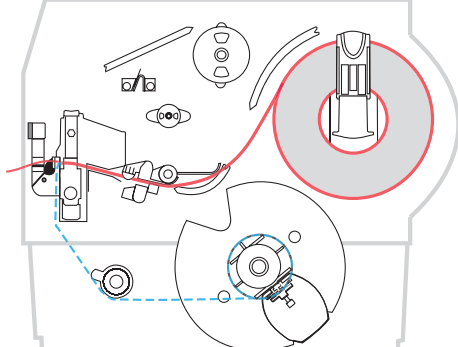
Table 7 • Print Modes and Printer Options

Print Mode	When to Use/Printer Options Required	Printer Actions
Tear-Off (default setting)	Use for most applications. This mode can be used with any printer options and most media types.	The printer prints label formats as it receives them. The printer operator can tear off the printed labels any time after they print.
Peel-Off	Use only if the printer has the Peel-Off, Liner Take-Up, or Rewind option.	The printer peels the label from the liner during printing and then pauses until the label is removed. In Peel-Off mode, the liner exits the front of the printer. In Peel-Off mode with Liner Take-Up, the liner winds onto the liner take-up spindle or the rewind spindle.
Cutter	Use if the printer has a cutter option when you want the labels to be cut apart.	The printer prints a label and then cuts it free.
Delayed Cut	Use if the printer has a cutter option when you want the printer to cut the labels apart at a signal.	The printer prints a label, pauses, and cuts the label when it receives the ~JK (delayed cut) ZPL command.
Rewind	Use if the printer has the Rewind option and you want the labels to rewind on a core.	The printer prints without pausing between labels. The media or liner is wound onto a core after printing.
RFID	Use when printing RFID labels with RZ Series printers or with Z Series printers that have an optional RFID reader/encoder installed.	The printer increases throughput time when printing batches of RFID labels by eliminating backfeed between labels
Linerless Peel	Reserved for future options.	Reserved for future options.
Linerless Rewind	Reserved for future options.	Reserved for future options.
Linerless Tear	Reserved for future options.	Reserved for future options.

Media Paths

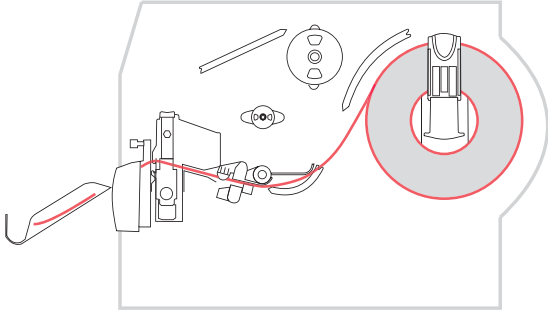
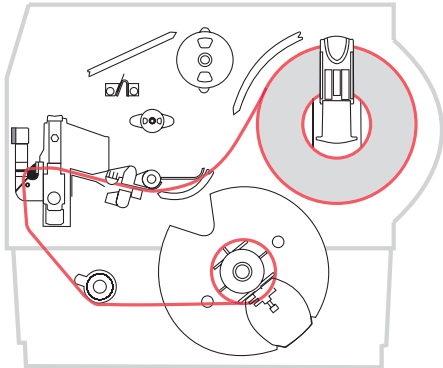
Table 8 shows the media paths for print mode and printer option combinations using roll media. Fanfold media uses the same print modes and printer options as roll media. RFID printers can use all of these printer options and have the same media paths.

Table 8 • Media Paths for Print Modes with Various Printer Options

Print Mode	Printer Option	Media Path
Tear-Off	Printers with any printer options can use Tear-Off mode	
Peel-Off	Peel, Liner take-up, or Rewind	
Peel-Off (with Liner Take-Up)	Liner take-up	
	Rewind	

Red solid lines = media, Blue dotted lines = backing only

Table 8 • Media Paths for Print Modes with Various Printer Options (Continued)

Print Mode	Printer Option	Media Path
Cutter or Delayed Cut	Cutter (shown with an optional catch tray)	
Rewind	Rewind	

Red solid lines = media, Blue dotted lines = backing only

Load Media

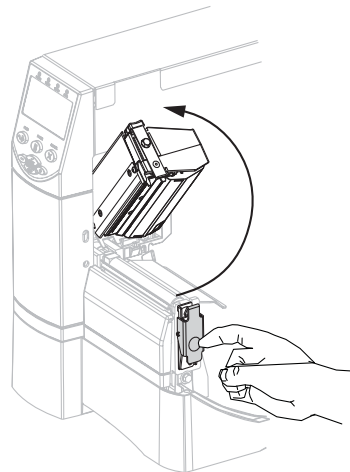
The beginning steps for loading media apply to all printers, including those that have the peel-off, liner take-up, cutter, or rewind option. When you have completed these beginning steps, continue with the media loading instructions for the print mode and printer options that apply to you. For more information about print modes and printer options, see [Print Modes and Printer Options on page 40](#).

Caution • While performing any tasks near an open printhead, remove all rings, watches, hanging necklaces, identification badges, or other metallic objects that could touch the printhead. You are not required to turn off the printer power when working near an open printhead, but Zebra recommends it as a precaution. If you turn off the power, you will lose all temporary settings, such as label formats, and you must reload them before you resume printing.

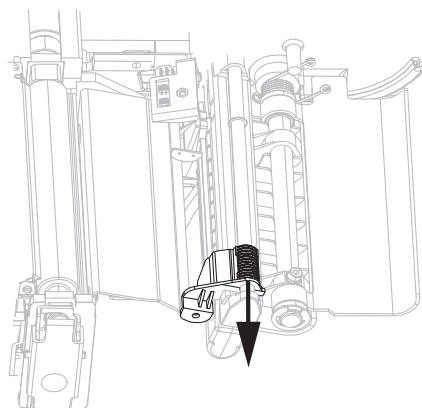
Beginning Steps for all Print Modes and Printer Options

To begin loading media for all print modes and printer options, complete these steps:

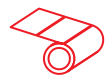
1. Press the printhead release latch to open the printhead assembly. Lift the printhead until it latches open.



2. Slide out the media guide.

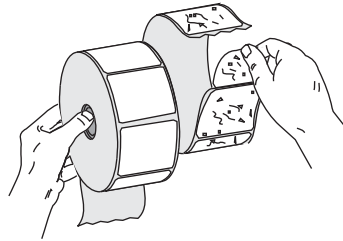


3. Insert media into the printer. Follow the instructions for roll or fanfold media, as appropriate.

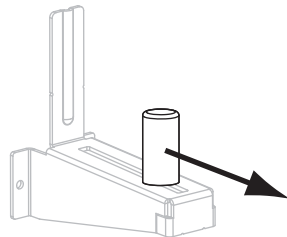


Roll Media

- a. Remove and discard any tags or labels that are dirty or that are held by adhesives or tape.

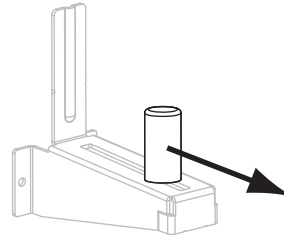


- b. Pull out and, if applicable, flip down the media supply guide.



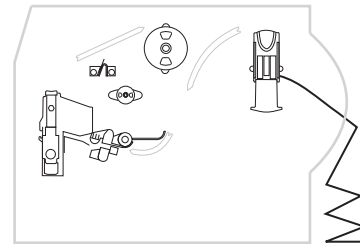
Fanfold Media

- a. Pull out and, if applicable, flip down the media supply guide.

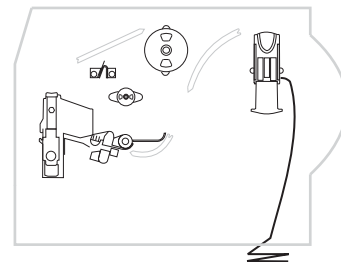


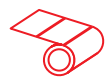
- b. Feed the media through the rear or bottom access slot.

Rear Feed



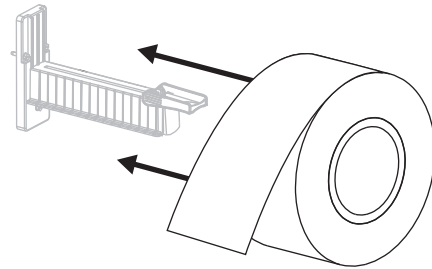
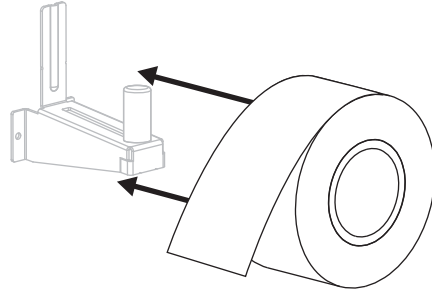
Bottom Feed



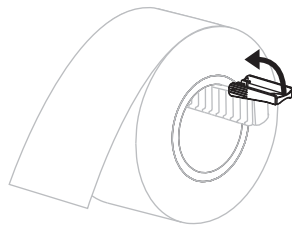


Roll Media (Continued)

- c. Place the roll of media on the media supply hanger. Push the roll as far back as it will go.

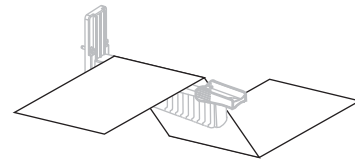
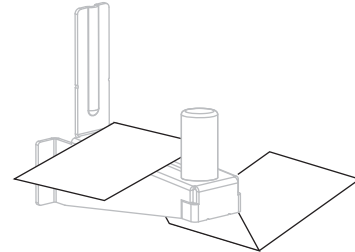


- d. If applicable, flip up the media supply guide.

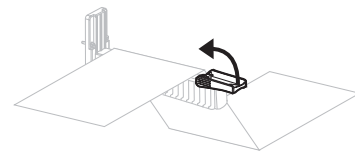


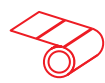
Fanfold Media (Continued)

- c. Drape the media over the media supply hanger.



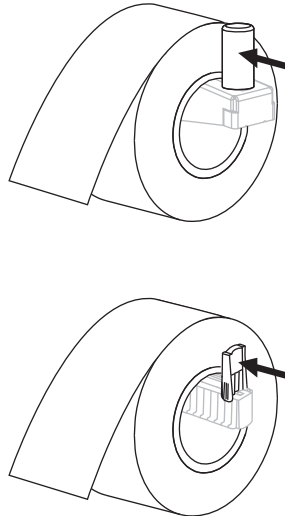
- d. If applicable, flip up the media supply guide.





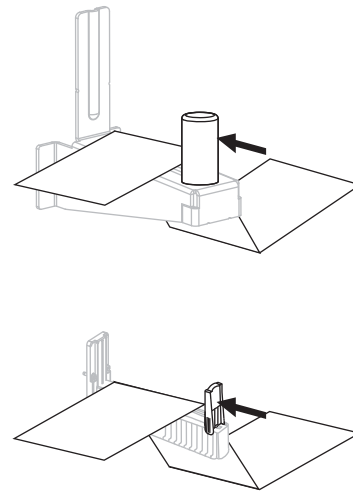
Roll Media (Continued)

- e. Slide in the media supply guide until it touches the edge of the roll.

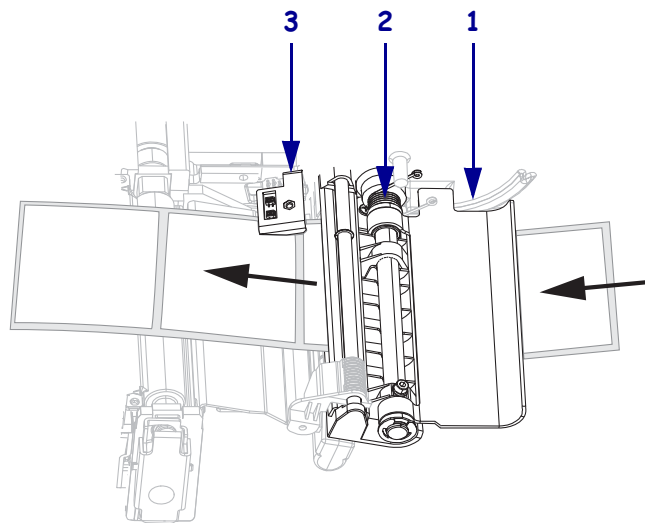


Fanfold Media (Continued)

- e. Slide in the media supply guide until it touches the edge of the media.



4. Feed the media under the dancer assembly (1), the upper media sensor (2), and the ribbon sensor (3). Slide the media back until it touches the inside back wall of the upper media sensor.



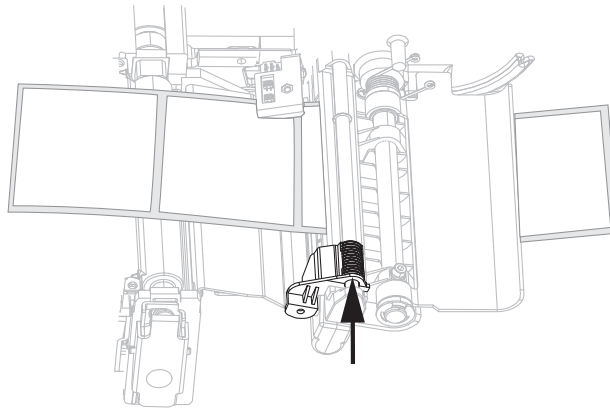
5. Continue with the final instructions for the desired print mode. The print mode must be compatible with the media being used and the printer options installed. See [Print Mode Descriptions and Printer Requirements](#) on page 40 for more information.
- [Additional Steps for Tear-Off Mode](#) on page 47
 - [Additional Steps for Peel-Off Mode \(with or without Liner Take-Up\)](#) on page 48
 - [Additional Steps for Cutter or Delayed Cut Mode](#) on page 53
 - [Additional Steps for Rewind Mode](#) on page 54

Additional Steps for Tear-Off Mode

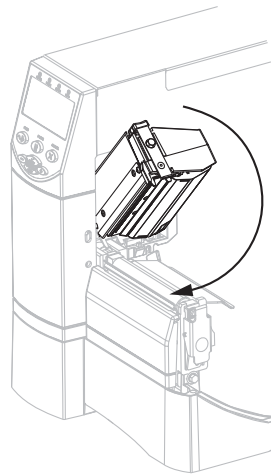
After completing [Beginning Steps for all Print Modes and Printer Options](#) on page 43, continue with this section to operate the printer in Tear-Off mode.

To operate the printer in Tear-Off mode, complete these steps:

1. Slide in the media guide until it touches the outer edge of the media.



2. Set the printer to Tear-Off mode. See [Select Print Mode](#) on page 76 for instructions.
3. Close the printhead assembly.



4. If the printer is paused (the Pause light is on), press PAUSE to enable printing.

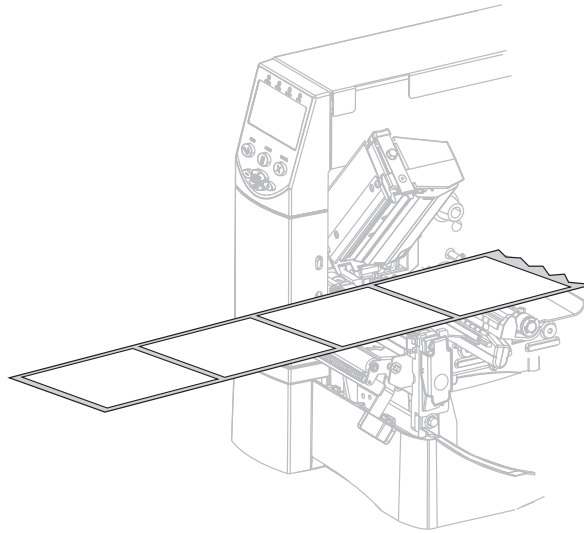
Additional Steps for Peel-Off Mode (with or without Liner Take-Up)

After completing [Beginning Steps for all Print Modes and Printer Options](#) on page 43, continue with this section to operate the printer in Peel-Off mode with or without liner take-up. Your printer must have the Peel option, the Liner Take-Up option, or the Rewind option installed. See [Print Modes and Printer Options](#) on page 40 for more information.

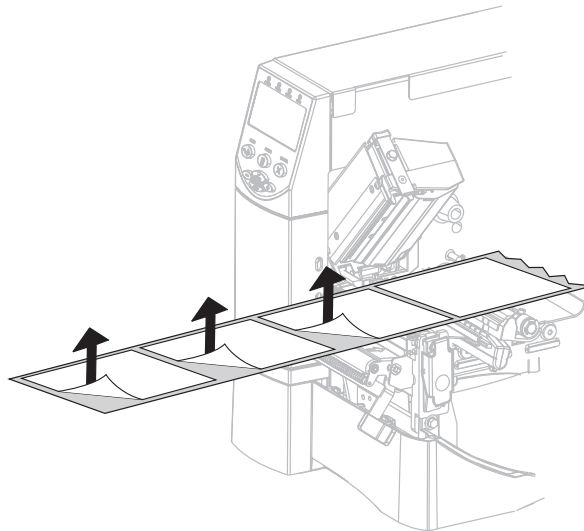
For additional procedures related to the rewind option, see [Routine Maintenance for the Rewind Option](#) on page 108.

To operate the printer in Peel-Off mode, complete these steps:

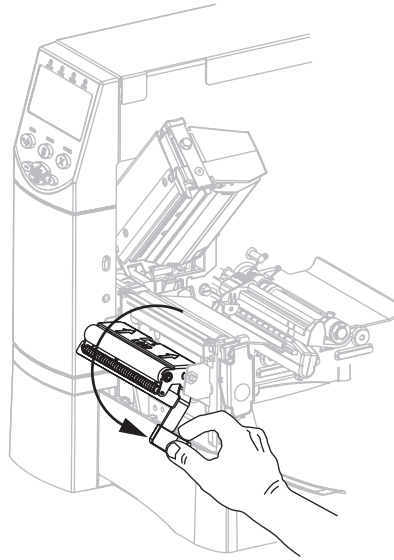
1. Extend the media approximately 18 in. (500 mm) out of the printer.



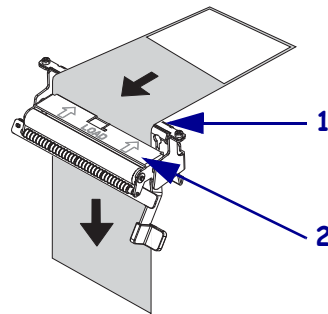
2. Remove the exposed labels so that only the liner remains.



3. Push down the peel-off mechanism release lever to open the peel assembly.



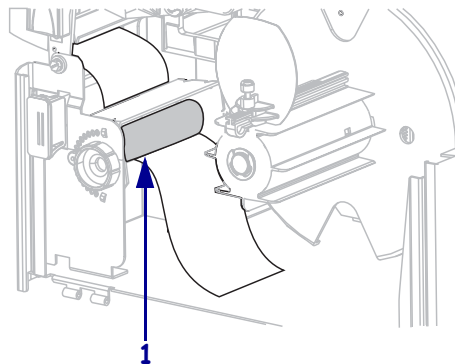
4. Feed the liner over the tear-off/peel-off bar (1) and behind the peel assembly (2). Make sure that the end of the liner falls outside of the printer.



5. Complete this step only if you want to use Peel-Off mode with liner take-up. Your printer must have the Liner Take-Up option or the Rewind option installed. Follow the instructions for your printer option.

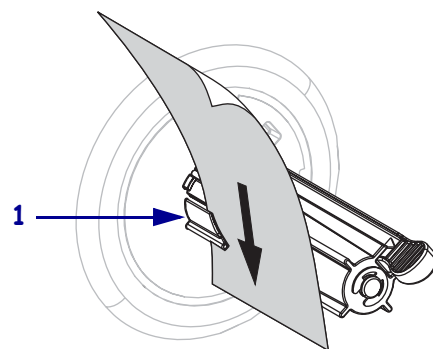
Rewind Option

- a. Feed the liner under the media alignment roller (1).



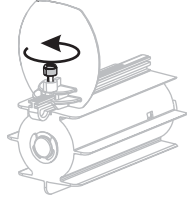
Liner Take-Up Option

- a. Slide the liner into the slot in the liner take-up spindle (1).

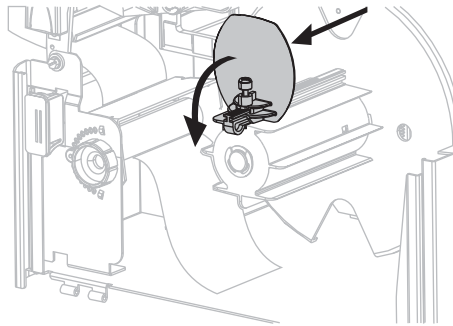


Rewind Option (Continued)

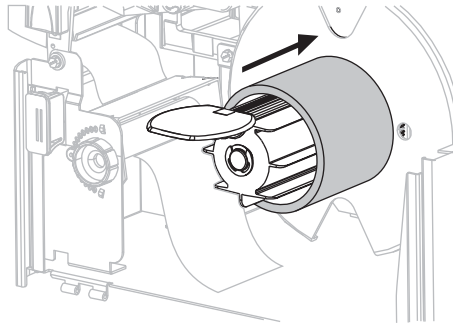
- b. Loosen the thumbscrew on the rewind media guide.



- c. Slide the rewind media guide all the way out, and then fold it down.

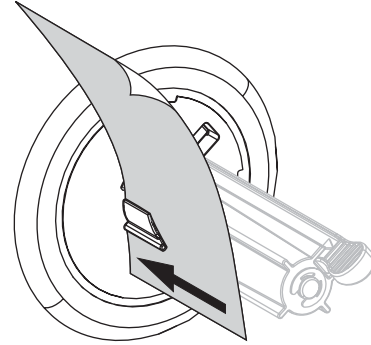


- d. Slide an empty core onto the rewind spindle.

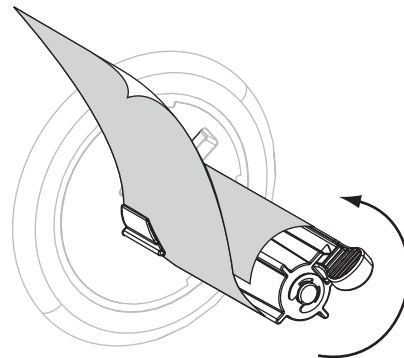


Liner Take-Up Option (Continued)

- b. Push the liner back until it touches the back plate of the liner take-up spindle assembly.

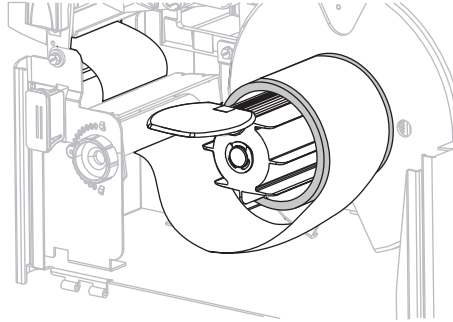


- c. Wrap the liner around the liner take-up spindle and turn the spindle counterclockwise to tighten the liner.

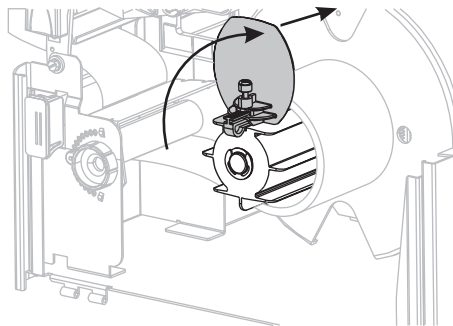


Rewind Option (Continued)

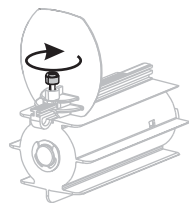
- e. Wrap the liner around the core and turn the rewind spindle counterclockwise to tighten the liner.



- f. Fold up the rewind media guide, and then slide it in until it touches the liner.



- g. Tighten the thumbscrew on the rewind media guide.



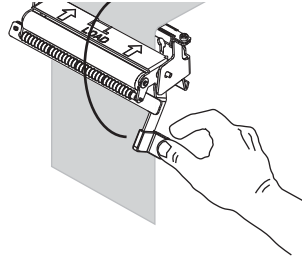
Liner Take-Up Option (Continued)

(No additional steps for the liner take-up option.)

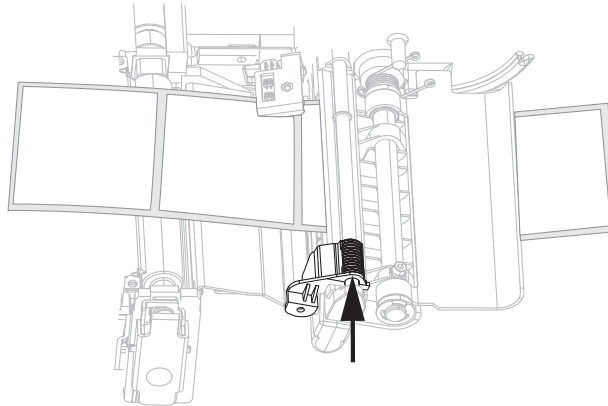


-
6. **Caution** • Use the peel release lever and your right hand to close the peel assembly. Do not use your left hand to assist in closing. The top edge of the peel roller/assembly could pinch your fingers.
-

Close the peel assembly using the peel-off mechanism release lever.

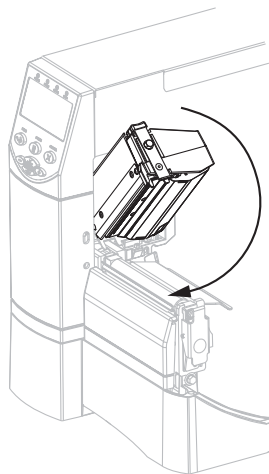


7. Slide in the media guide until it touches the outer edge of the media.



8. Set the printer to Peel-Off mode. See [Select Print Mode on page 76](#) for instructions.

9. Close the printhead assembly.



10. If the printer is paused (the Pause light is on), press PAUSE to enable printing. Peeling and liner take-up (if used) begin automatically.

Additional Steps for Cutter or Delayed Cut Mode

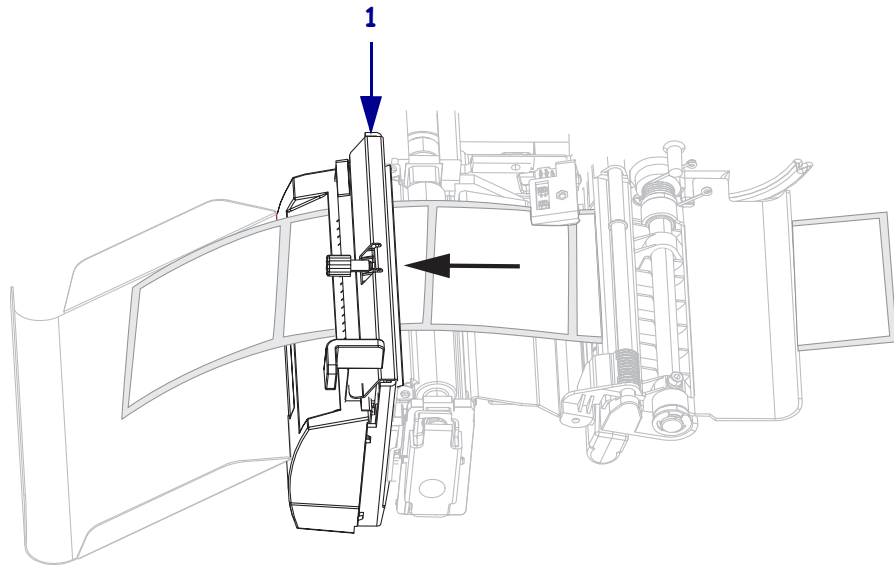
After completing [Beginning Steps for all Print Modes and Printer Options](#) on page 43, continue with this section to operate the printer in Cutter or Delayed Cut mode.

To operate the printer in Cutter or Delayed Cut mode, complete these steps:

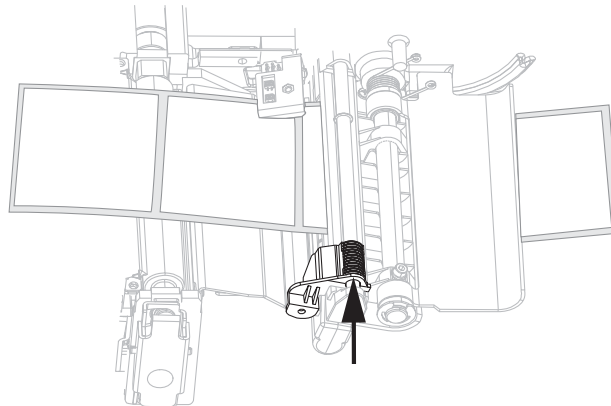


- Caution** • The cutter blade is sharp. Do not touch or rub the blade with your fingers.

Feed the media through the cutter (1).

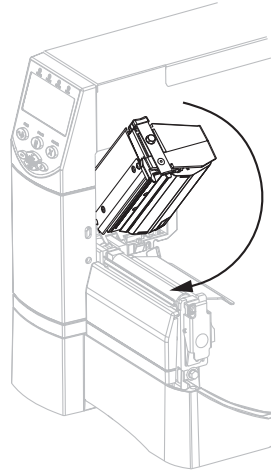


- Slide in the media guide until it touches the outer edge of the media.



- Set the printer to Cutter or Delayed Cut mode. See [Select Print Mode](#) on page 76 for instructions.

4. Close the printhead assembly.



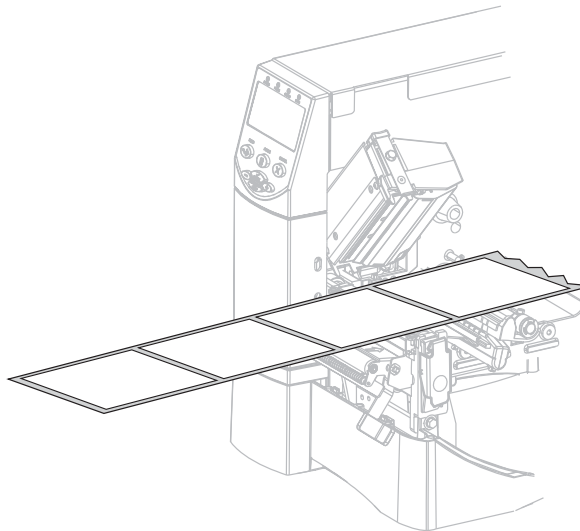
5. If the printer is paused (the Pause light is on), press PAUSE to enable printing. Cutting begins automatically.

Additional Steps for Rewind Mode

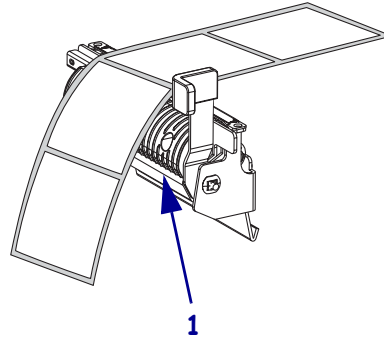
After completing [Beginning Steps for all Print Modes and Printer Options](#) on page 43, continue with this section to operate the printer in Rewind mode. For additional procedures related to the rewind option, see [Routine Maintenance for the Rewind Option](#) on page 108.

To operate the printer in Rewind mode, complete these steps:

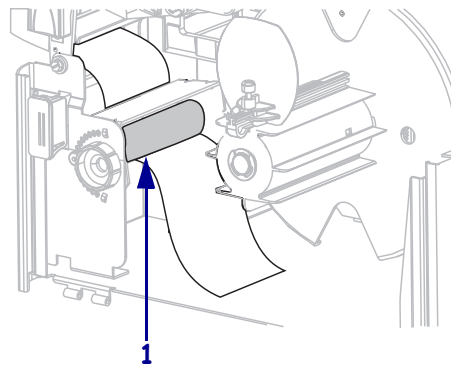
1. Pull approximately 18 in. (500 mm) of media through the front of the printer.



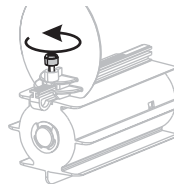
2. Feed the media over the peel assembly (1).



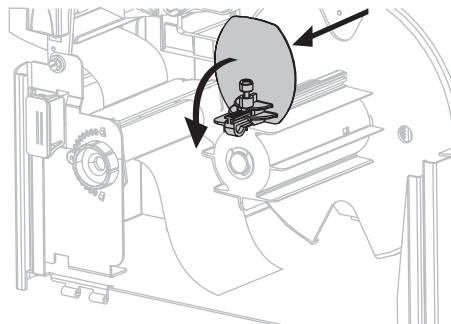
3. Feed the media under the media alignment roller (1).



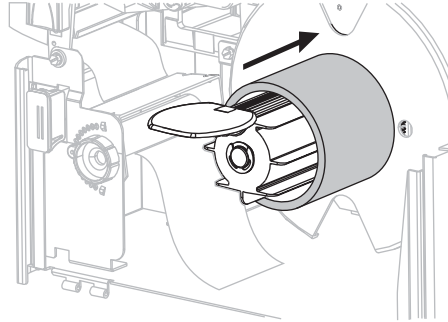
4. Loosen the thumbscrew on the rewind media guide.



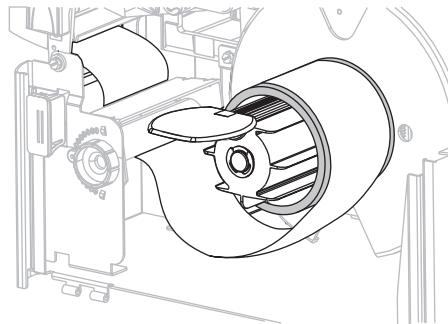
5. Slide the rewind media guide all the way out, and then fold it down.



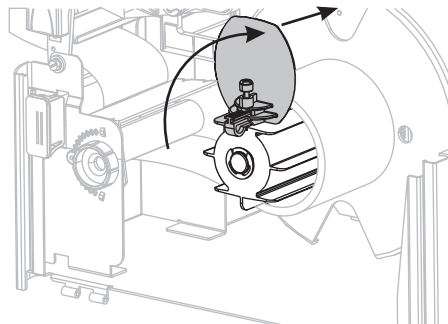
- 6.** Slide an empty core onto the rewind spindle.



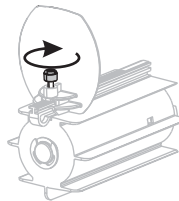
- 7.** Wrap the media around the core and turn the rewind spindle counterclockwise to tighten the media. Ensure that the edge of the media is flush against the backplate of the rewind spindle.



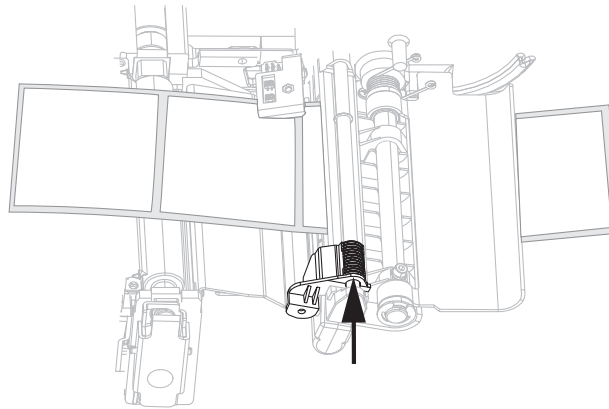
- 8.** Fold up the rewind media guide, and then slide it in until it touches the media.



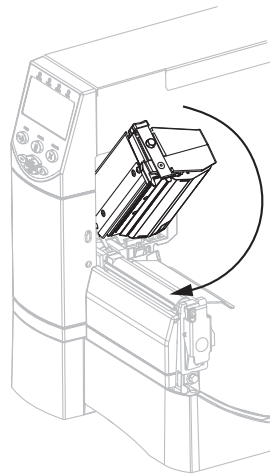
- 9.** Tighten the thumbscrew on the rewind media guide.



10. Slide in the media guide until it touches the outer edge of the media.



11. Set the printer to Rewind mode. See [Select Print Mode on page 76](#) for instructions.
12. Close the printhead assembly.



13. If the printer is paused (the Pause light is on), press PAUSE to enable printing. Rewinding begins automatically.

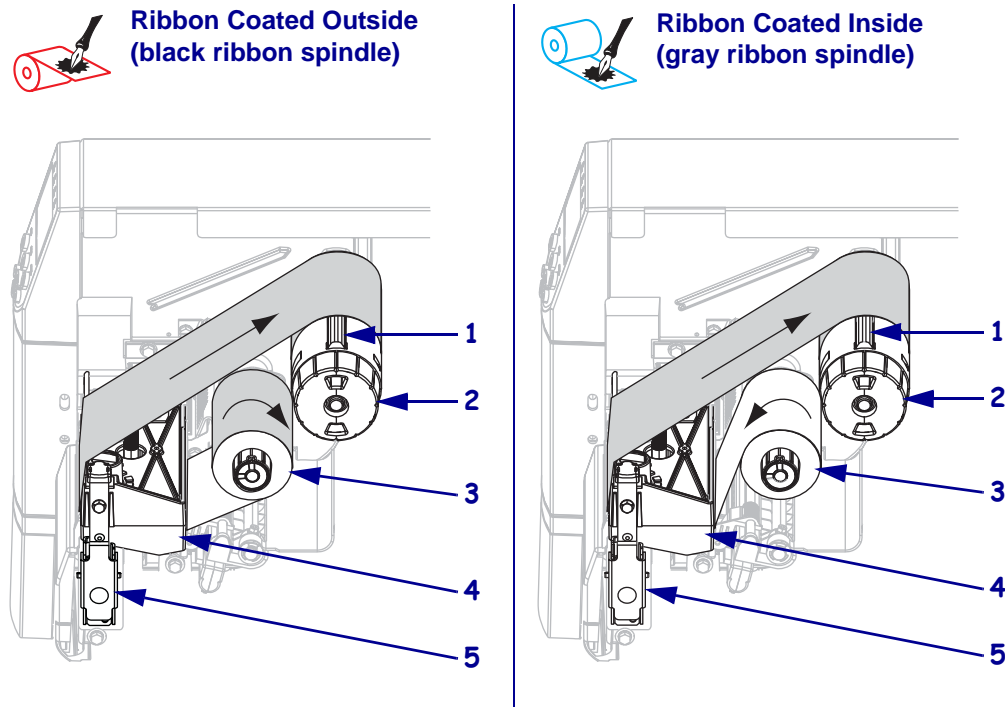
Load Ribbon

Always use ribbon that is wider than the media to protect the printhead from wear. For direct thermal printing, do not load ribbon in the printer.

The standard Thermal Transfer option (black ribbon spindle) uses ribbon coated on the outside, and the alternate Thermal Transfer option (gray ribbon spindle) uses ribbon coated on the inside. To avoid damaging your printer, follow the directions for the Thermal Transfer option installed in your printer.

Figure 8 shows the ribbon paths for ribbon coated on the outside and ribbon coated on the inside. The coated surfaces of the ribbon are shown in gray when they are visible. To determine which side of a ribbon is printed, see [Coated Side of Ribbon on page 36](#).

Figure 8 • Ribbon Path



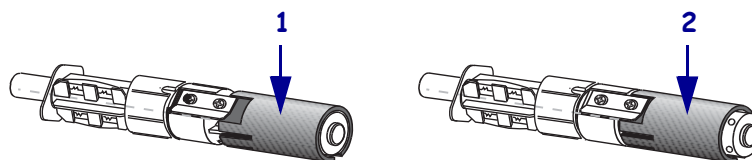
1	Tension blade
2	Ribbon take-up spindle
3	Ribbon supply spindle
4	Printhead assembly
5	Printhead release latch

Caution • While performing any tasks near an open printhead, remove all rings, watches, hanging necklaces, identification badges, or other metallic objects that could touch the printhead. You are not required to turn off the printer power when working near an open printhead, but Zebra recommends it as a precaution. If you turn off the power, you will lose all temporary settings, such as label formats, and you must reload them before you resume printing.

To load ribbon, complete these steps:

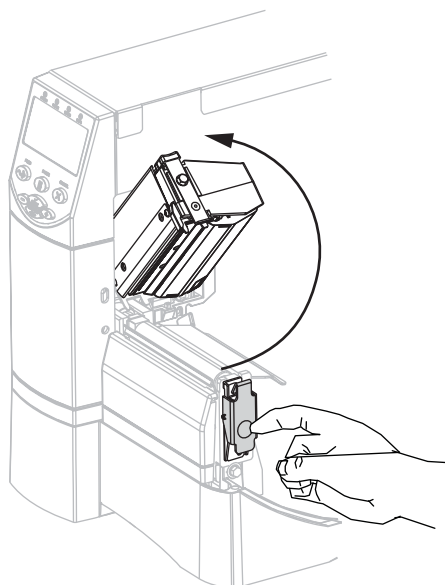
1. Set the ribbon supply spindle for normal or low tension.
 - To place the ribbon supply spindle in the **normal position**, firmly pull out the spindle end cap until it extends and clicks in place, as shown in [Figure 9](#). Use this setting for most applications.
 - To place the ribbon supply spindle in the **low-tension position**, firmly push in the end cap until it retracts and clicks in place, as shown in [Figure 9](#). Use this setting when using a narrow ribbon or if normal tension hampers ribbon movement.

Figure 9 • Ribbon Spindle—Normal and Low Tension



1	Normal Position (Spindle End Cap Extended)
2	Low-Tension Position (Spindle End Cap Retracted)

2. Press the printhead release latch to open the printhead assembly. Lift the printhead until it latches open.



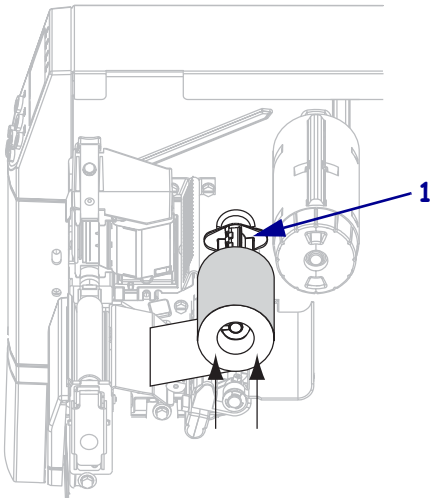
3. Insert the ribbon into the printer. In this step, follow the instructions for the Thermal Transfer option installed in your printer.



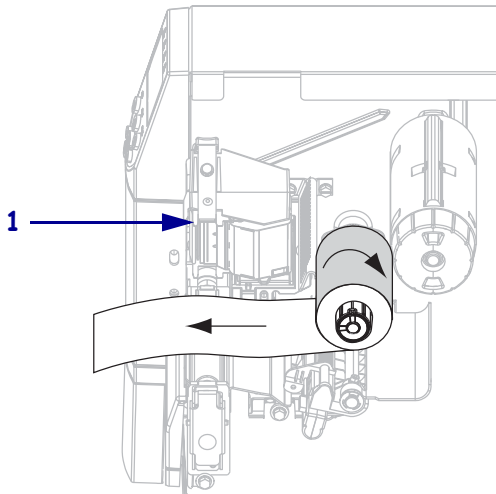
- a. Hold the ribbon with the loose end unrolling clockwise.



- b. Place the roll of ribbon on the ribbon supply spindle (1) and push it all the way back.



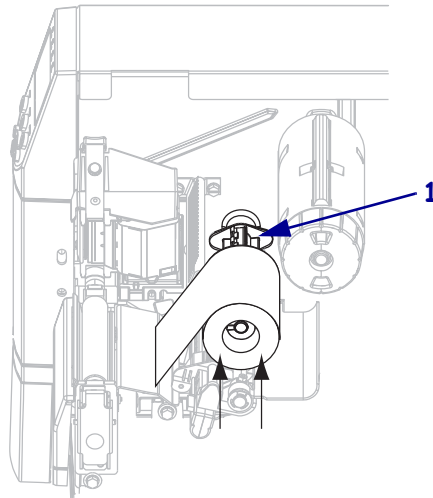
- c. Pull the end of the ribbon under the printhead assembly (1) and out the front of the printer. Extend the ribbon approximately 24 in. (610 mm) out of the printer.



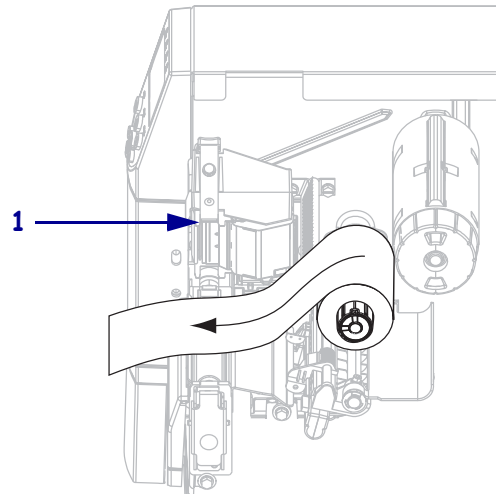
- a. Hold the ribbon with the loose end unrolling counterclockwise.



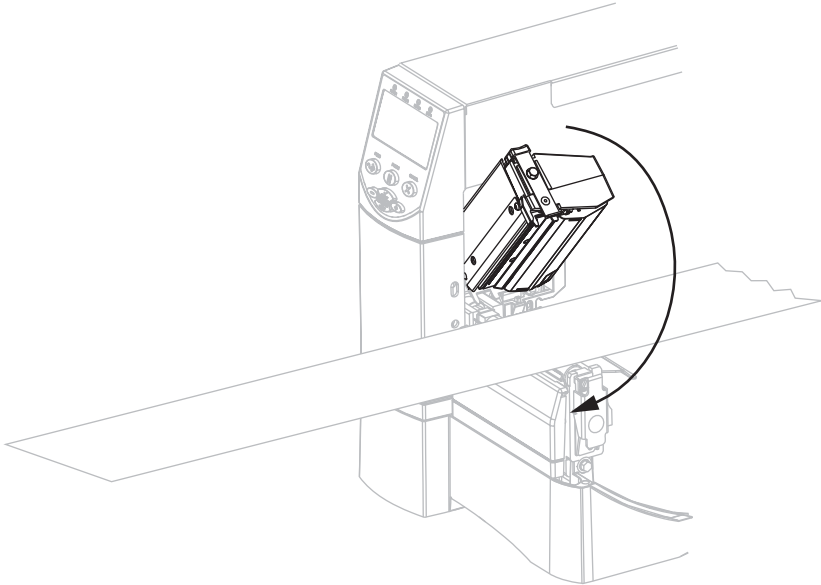
- b. Place the roll of ribbon on the ribbon supply spindle (1) and push it all the way back.



- c. Pull the end of the ribbon under the printhead assembly (1) and out the front of the printer. Extend the ribbon approximately 24 in. (610 mm) out of the printer.



4. Close the printhead assembly.



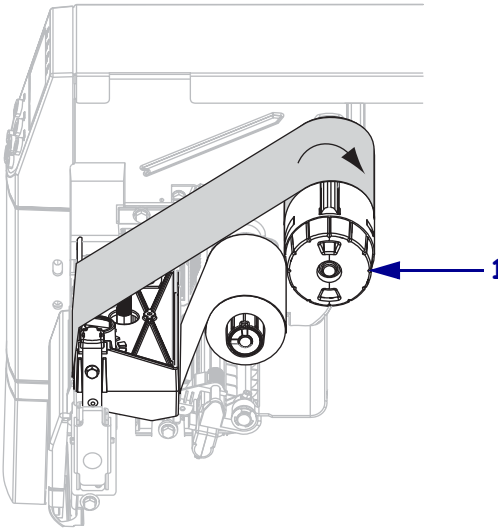
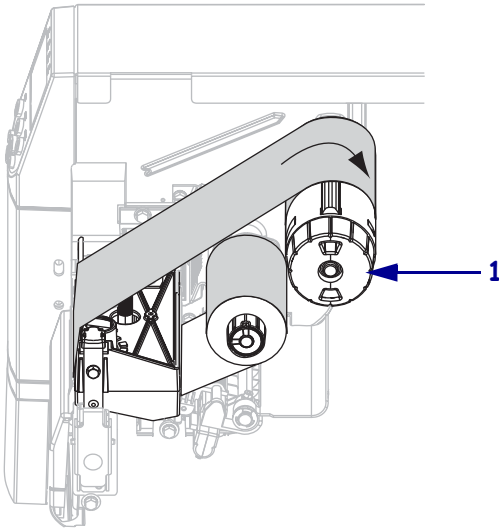
5. Wind the ribbon clockwise onto the ribbon take-up spindle (1).



**Ribbon Coated Outside
(black ribbon spindle)**



**Ribbon Coated Inside
(gray ribbon spindle)**

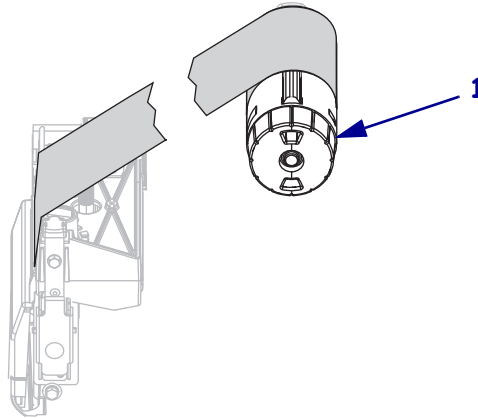


Remove Used Ribbon

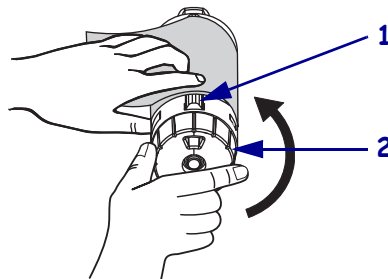
To remove used ribbon, complete these steps:

1. **Caution** • Do not cut the ribbon directly on the ribbon take-up spindle. Doing so may damage the spindle.

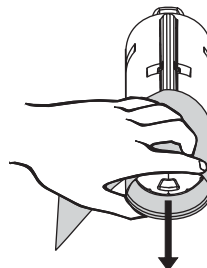
If the ribbon has not run out, cut or break it before the ribbon take-up spindle (1).



2. To loosen the ribbon, squeeze it against the ribbon take-up spindle tension blades (1). At the same time, turn the ribbon take-up spindle release knob counterclockwise (2). The tension blades collapse into the ribbon take-up spindle, loosening the ribbon.



3. Slide the used ribbon off of the ribbon take-up spindle and discard.



Calibrate the Printer

The printer can be set to calibrate automatically, or you can calibrate it manually.

Auto Calibration

When the control panel setting for **MEDIA POWER UP** or **HEAD CLOSE** is set to **CALIBRATION**, the printer automatically calibrates on power up or when the printhead is closed. During auto calibration, the printer determines the label length and sensor settings. The results of the auto calibration are stored in the printer's temporary memory. These parameters remain in effect until the next calibration is performed or until the printer is power cycled.



Important • To retain calibration settings in the printer's memory when the printer is power cycled, you must save the changes permanently. See [Exit Setup Mode on page 69](#).



Note • If the control panel settings for **MEDIA POWER UP** or **HEAD CLOSE** are set to **LENGTH**, **NO MOTION**, or **FEED**, the printer starts printing without auto calibrating. See [Select Media Power-Up Option on page 92](#) or [Select Head Close Option on page 92](#).

Manual Calibration

Perform a media and ribbon sensor calibration to reset the sensitivity of the sensors so the media and ribbon are detected more accurately. If you change the type of ribbon or media, your printer may operate better if you perform this calibration.

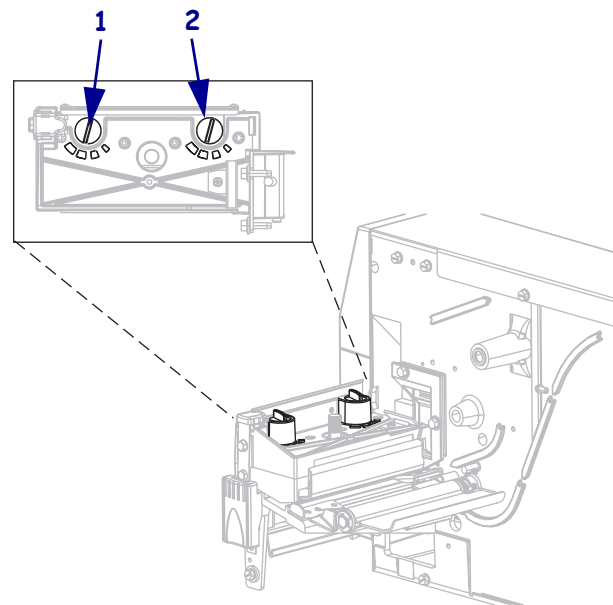
For instructions, refer to [Calibrate Media and Ribbon Sensor Sensitivity on page 85](#).

Adjust Printhead Pressure

You may need to adjust printhead pressure if printing is too light on one side, if you use thick media, or if the media drifts from side to side during printing.

See [Figure 10](#). The ZM400 and RZ400 pressure adjustment dials have four possible settings designated by blocks of increasing size embossed on the print mechanism. The smallest block (fully counterclockwise) is considered position 1, and the largest block (fully clockwise) is considered position 4. The ZM600 and RZ600 dials have seven settings instead of four.

Figure 10 • Printhead Pressure Adjustment Dials



1	Outside dial
2	Inside dial

To set printhead pressure, complete these steps:

1. Use [Table 9](#) or [Table 10](#) to select the initial dial settings for your media, depending on which printer you have.

Table 9 • ZM400 and RZ400 Printhead Pressure

Media Width	Inside Dial	Outside Dial
1 in. (25.4 mm)	3	1
2 in. (51 mm)	4	1
3 in. (76 mm)	3	2
3.5 in. and up (89 mm and up)	3	3

Table 10 • ZM600 and RZ600 Printhead Pressure

Media Width	Inside Dial	Outside Dial
2 in. (50 mm)	6	1
3 in. (75 mm)	6	2
4 in. (100 mm)	7	3
5 in. (125 mm)	7	4
5.5 in. and up (140 mm and up)	6	6

2. If necessary, adjust the pressure adjustment dials as follows:

If the media...	Then...
Requires higher pressure to print well	Increase both dials one position.
Shifts left while printing	Increase the outside dial setting one position, or decrease the inside dial setting one position.
Shifts right while printing	Increase the inside dial setting one position, or decrease the outside dial setting one position.
Prints too lightly on the left side of the label.	Increase the inside dial setting one position.
Prints too lightly on the right side of the label.	Increase the outside dial setting one position.



Notes • _____



Configuration

This section describes the control panel parameters that are used to configure the printer for operation.

Contents

Setup Mode	68
Enter and Use Setup Mode	68
Exit Setup Mode	69
Change Password-Protected Parameters	70
Default Password Value	70
Disable the Password Protection Feature	70
Print a Configuration Label	71
Print a Network Configuration Label	72
Standard Control Panel Parameters	73
Additional Control Panel Parameters	98

Setup Mode

After you have installed the media and ribbon and the Power-On Self Test (POST) is complete, the control panel displays **PRINTER READY**. You may now set printer parameters for your application using the control panel display and the buttons directly below it. If it becomes necessary to restore the initial printer defaults, see *FEED and PAUSE Self Test* on page 135.



Important • Certain printing conditions may require that you adjust printing parameters, such as print speed, darkness, or print mode. These conditions include (but are not limited to):

- printing at high speeds
- peeling the media
- the use of extremely thin, small, synthetic, or coated labels

Because these and other factors affect print quality, run tests to determine the best combination of printer settings and media for your application. A poor match may limit print quality or print rate, or the printer may not function properly in the desired print mode.



Note • If the printer is operating on an IP network and you have a ZebraNet wired or wireless print server, you can change the printer's parameters in these additional ways:

- with ZebraLink™ WebView. For information, see the appropriate print server user guide.
- with ZebraNet Bridge. For information, see the *ZebraNet Bridge Enterprise Printer Management User Guide*.

Enter and Use Setup Mode

Use the LCD on the control panel to view and adjust printer settings through Setup mode. When a parameter is changed, an asterisk (*) appears in the upper left corner of the display to indicate that the value is different from the one currently active in the printer.


Press this key...	To do the following...
SETUP/EXIT	enter or exit Setup mode.
SELECT	select or deselect a parameter.
PLUS (+)	continue to the next parameter.
MINUS (-)	return to the previous parameter in the cycle.

Exit Setup Mode

When you exit setup mode, you have several options for saving, changing, or not changing parameters.

To leave Setup mode, complete these steps:

1. While in Setup mode, press SETUP/EXIT.
The LCD displays **SAVE CHANGES**.
2. Press PLUS (+) or MINUS (-) to display the save options:

LCD	Description
PERMANENT	Stores values in the printer even when power is turned off.
TEMPORARY	Saves the changes until power is turned off.
CANCEL	Cancels all changes made since you entered Setup mode, except for changes made to the darkness and tear-off settings, which go into effect as soon as they are made.
LOAD DEFAULTS	Restores all parameters other than the network settings back to the factory defaults. Use care when loading defaults because you will need to reload all settings that you changed manually.  Note • On non-RFID printers, loading factory defaults causes the printer to auto-calibrate.
LOAD LAST SAVE	Loads values from the last permanent save.
DEFAULT NET	Restores the wired and wireless network settings back to factory defaults.

3. Press SETUP/EXIT to select the displayed choice.
When the configuration and calibration sequence is done, **PRINTER READY** displays.

Change Password-Protected Parameters

Certain parameters, including the communication parameters, are password-protected by factory default.

Caution • Do not change password-protected parameters unless you have a complete understanding of the parameters' functions. If the parameters are set incorrectly, the printer may function unpredictably.

The first time that you attempt to change a password-protected parameter, the printer displays **ENTER PASSWORD**. Before you can change the parameter, you must enter the four-digit numeric password. After you have entered the password correctly, you do not have to enter it again unless you leave Setup mode by pressing **SETUP/EXIT** or by turning off (●) the printer.

To enter a password for a password-protected parameter, complete these steps:

1. At the password prompt, use **MINUS (-)** to change the selected digit position.
2. When you have selected the digit that you wish to change, use **PLUS (+)** to increase the selected digit value. Repeat these two steps for each digit of the password.
3. After entering the password, press **SELECT**.

The parameter you selected to change is displayed. If the password was entered correctly, you can change the value.

Default Password Value

The default password value is **1234**. The password can be changed using the Zebra Programming Language (ZPL) command **^KP** (Define Password) or using the printer's web pages (ZebraNet wired or wireless print server required).

Disable the Password Protection Feature

You can disable the password protection feature so that it no longer prompts you for a password by setting the password to **0000** via the **^KP** ZPL command. To re-enable the password-protection feature, send the ZPL command **^KPx**, where **x** can be any number from 1 to 9999.

Print a Configuration Label

A configuration label lists the printer settings that are stored in configuration memory. After you load the media, print a configuration label as a record of your printer's current settings. Keep the label to use when troubleshooting printing problems.

To print a configuration label, complete these steps:

1. On the control panel, press SETUP/EXIT.
2. Press PLUS (+) or MINUS (-) to scroll through the parameters until you reach **LIST SETUP**.
3. Press SELECT to select the parameter.
4. Press PLUS (+) to confirm printing.

A configuration label prints (Figure 11).

Figure 11 • Sample Configuration Label

Z Series		RZ Series	
PRINTER CONFIGURATION Zebra Technologies ZTC ZM400-300dpi ZPL ZBR2836549		PRINTER CONFIGURATION Zebra Technologies ZTC R2400-200dpi ZPL ZBR2279583	
+10.....	DARKNESS	+10.....	DARKNESS
2 IPS.....	PRINT SPEED	+000.....	PRINT SPEED
+000.....	TEAR OFF	RFID MODE.....	TEAR OFF
TEAR OFF.....	PRINT MODE	CONTINUOUS.....	PRINT MODE
CONTINUOUS.....	MEDIA TYPE	TRANSMISSIVE.....	MEDIA TYPE
TRANSMISSIVE.....	SENSOR SELECT	THERMAL-TRANS.....	SENSOR SELECT
THERMAL-TRANS.....	PRINT METHOD	500.....	PRINT METHOD
500.....	PRINT WIDTH	1600.....	PRINT WIDTH
2000.....	LABEL LENGTH	35.0IN 986MM.....	LABEL LENGTH
35.0IN 986MM.....	MAXIMUM LENGTH	MAINT OFF.....	MAXIMUM LENGTH
MAINT OFF.....	EARLY WARNING	NOT CONNECTED.....	EARLY WARNING
NOT CONNECTED.....	USB COMM.	BIDIRECTIONAL.....	USB COMM.
BIDIRECTIONAL.....	PARALLEL COMM.	RS232.....	PARALLEL COMM.
RS232.....	SERIAL COMM.	115200.....	SERIAL COMM.
9600.....	BAUD	8 BITS.....	BAUD
8 BITS.....	DATA BITS	NONE.....	DATA BITS
NONE.....	PARITY	XON/XOFF.....	PARITY
XON/XOFF.....	HOST HANDSHAKE	NONE.....	HOST HANDSHAKE
NONE.....	PROTOCOL	000.....	PROTOCOL
000.....	NETWORK ID	NORMAL MODE.....	NETWORK ID
NORMAL MODE.....	COMMUNICATIONS	<~> 7EH.....	COMMUNICATIONS
<~> 7EH.....	CONTROL PREFIX	<~> 5EH.....	CONTROL PREFIX
<~> 5EH.....	FORMAT PREFIX	<~> 2CH.....	FORMAT PREFIX
<~> 2CH.....	DELIMITER CHAR	ZPL II.....	DELIMITER CHAR
ZPL II.....	ZPL MODE	CALIBRATION.....	ZPL MODE
CALIBRATION.....	MEDIA POWER UP	CALIBRATION.....	MEDIA POWER UP
CALIBRATION.....	HEAD CLOSE	DEFAULT.....	HEAD CLOSE
DEFAULT.....	BACKFEED	+000.....	BACKFEED
+000.....	LABEL TOP	+0000.....	LABEL TOP
+0000.....	LEFT POSITION	DISABLED.....	LEFT POSITION
DISABLED.....	REPRINT MODE	069.....	REPRINT MODE
069.....	WEB S.	069.....	WEB S.
069.....	MEDIA S.	071.....	MEDIA S.
071.....	RIBBON S.	100.....	RIBBON S.
100.....	TAKE LABEL	050.....	TAKE LABEL
050.....	MARK S.	002.....	MARK S.
002.....	TRANS GAIN	033.....	TRANS GAIN
033.....	TRANS BASE	166.....	TRANS BASE
166.....	TRANS BRIGHT	211.....	TRANS BRIGHT
211.....	RIBBON GAIN	005.....	RIBBON GAIN
005.....	MARK GAIN	DPSWFXM.....	MARK GAIN
DPSWFXM.....	MODES ENABLED	1248 12/MM FULL.....	MODES ENABLED
1248 12/MM FULL.....	MODES DISABLED	V53.16.32 <-.....	MODES DISABLED
V53.16.32 <-.....	FIRMWARE	1.2.....	FIRMWARE
1.2.....	XML SCHEMA	V37.....	XML SCHEMA
V37.....	HARDWARE ID	DEFAULTED.....	HARDWARE ID
DEFAULTED.....	CONFIGURATION	11200k.....	CONFIGURATION
11200k.....	RAM	2048k.....	RAM
2048k.....	ONBOARD FLASH	NONE.....	ONBOARD FLASH
NONE.....	FORMAT CONVERT	FW VERSION.....	FORMAT CONVERT
FW VERSION.....	IDLE DISPLAY	06/05/08.....	IDLE DISPLAY
06/05/08.....	RTC DATE	22/08.....	RTC DATE
22/08.....	RTC TIME	DISABLED.....	RTC TIME
DISABLED.....	ZBI	2.0.....	ZBI
2.0.....	ZBI VERSION	7.658 IN.....	ZBI VERSION
7.658 IN.....	NONRESET CNTR	7.658 IN.....	NONRESET CNTR
7.658 IN.....	RESET CNTR1	7.658 IN.....	RESET CNTR1
7.658 IN.....	RESET CNTR2	19.453 CM.....	RESET CNTR2
19.453 CM.....	NONRESET CNTR	19.453 CM.....	NONRESET CNTR
19.453 CM.....	RESET CNTR1	19.453 CM.....	RESET CNTR1
19.453 CM.....	RESET CNTR2	SELECTED ITEMS.....	RESET CNTR2
SELECTED ITEMS.....	PASSWORD LEVEL	MM 13186.07TE0050110.79400-001.J.VH1	PASSWORD LEVEL
MM 13186.07TE0050110.79400-001.J.VH1			
FIRMWARE IN THIS PRINTER IS COPYRIGHTED		FIRMWARE IN THIS PRINTER IS COPYRIGHTED	

Print a Network Configuration Label

If you are using a print server, you can print a network configuration label after the printer is connected to the network.

To print a network configuration label, complete these steps:

1. On the control panel, press SETUP/EXIT.
2. Press PLUS (+) or MINUS (-) to scroll through the parameters until you reach **LIST NETWORK**.
3. Press SELECT to select the parameter.
4. Press PLUS (+) to confirm printing.

A network configuration label prints (Figure 12). An asterisk designates whether the wired or wireless print server is active. If no wireless print server is installed, the wireless portion of the label does not print.

Figure 12 • Sample Network Configuration Label
(with a Wireless Print Server installed)

Network Configuration	
Zebra Technologies	
PRINTER NAME	
ZBR2834792	
0.0.0 *	OPTION FIRMWARE
Wired.....	PRIMARY NETWORK
NO.....	LOAD FROM EXT?
Internal Wired.....	ACTIVE PRINTSRVR
External Wired	
ALL.....	IP PROTOCOL
000.000.000.000.....	IP ADDRESS
255.255.255.000.....	SUBNET MASK
000.000.000.000.....	DEFAULT GATEWAY
000.000.000.000.....	WINS SERVER IP
YES.....	TIMEOUT CHECKING
300.....	TIMEOUT VALUE
000.....	ARP INTERVAL
9100.....	BASE RAW PORT
Internal Wired*	
ALL.....	IP PROTOCOL
010.003.004.116.....	IP ADDRESS
255.255.255.000.....	SUBNET MASK
010.003.004.001.....	DEFAULT GATEWAY
010.003.001.098.....	WINS SERVER IP
YES.....	TIMEOUT CHECKING
300.....	TIMEOUT VALUE
000.....	ARP INTERVAL
9100.....	BASE RAW PORT
00074d2b4168.....	MAC ADDRESS
Wireless	
ALL.....	IP PROTOCOL
000.000.000.000.....	IP ADDRESS
255.255.255.000.....	SUBNET MASK
000.000.000.000.....	DEFAULT GATEWAY
000.000.000.000.....	WINS SERVER IP
YES.....	TIMEOUT CHECKING
300.....	TIMEOUT VALUE
000.....	ARP INTERVAL
9100.....	BASE RAW PORT
NO.....	CARD INSERTED
0000H.....	CARD MFG ID
0000H.....	CARD PRODUCT ID
000000000000.....	MAC ADDRESS
YES.....	DRIVER INSTALLED
INFRASTRUCTURE.....	OPERATING MODE
125.....	ESS ID
100.....	TX POWER
ON.....	1 Mb/s
ON.....	2 Mb/s
ON.....	5.5 Mb/s
ON.....	11 Mb/s
11 Mb/s.....	CURRENT TX RATE
DIVERSITY.....	RECEIVE ANTENNA
DIVERSITY.....	XMIT ANTENNA
OPEN.....	WEP TYPE
NONE.....	WLAN SECURITY
1.....	WEP INDEX
020.....	POOR SIGNAL
LONG.....	PREAMBLE
NO.....	ASSOCIATED
ON.....	PULSE ENABLED
15.....	PULSE RATE
OFF.....	INTL MODE
07FFH.....	CHANNEL MASK

asterisk indicating the active print server

FIRMWARE IN THIS PRINTER IS COPYRIGHTED

Standard Control Panel Parameters

Table 11 shows parameters in the order in which they are displayed when you press PLUS (+) after entering Setup mode. For parameters that do not appear in this table, see [Additional Control Panel Parameters](#) on page 98.



Note • Your label preparation software or the printer driver may override adjustments made through the control panel. Refer to the software or driver documentation for more information.

Table 11 • Printer Parameters (Page 1 of 25)



Language/Parameter	Action/Explanation
	<p>Adjust Print Darkness</p> <p>Darkness (burn duration) settings depend on a variety of factors, including ribbon type, media type, and the condition of the printhead. You may adjust the darkness for consistent high-quality printing.</p> <p> Important • Set the darkness to the lowest setting that provides good print quality. If the darkness is set too high, the ink may smear, the ribbon may burn through, or the printhead may wear prematurely.</p> <p>If printing is too light or if there are voids in printed areas, increase the darkness. If printing is too dark or if there is spreading or bleeding of printed areas, decrease the darkness.</p> <p>The FEED Self Test on page 132 can be used to determine the best darkness setting. You may want to adjust darkness while performing the PAUSE Self Test on page 131. Because the darkness setting takes effect immediately, you can see the results on labels that are currently printing. Darkness settings also may be changed by the driver or software settings.</p> <p><i>Default Value (ZPL): +10</i> <i>Range (ZPL): 00 to +30</i></p> <p><i>Default Value (EPL): +7</i> <i>Range (EPL): 00 to +15</i></p> <p>To change the value shown:</p> <ol style="list-style-type: none"> 1. Press SELECT to select the parameter. 2. Press PLUS (+) to increase darkness. 3. Press MINUS (-) to decrease darkness. 4. Press SELECT to accept any changes and deselect the parameter.

Table 11 • Printer Parameters (Page 2 of 25)

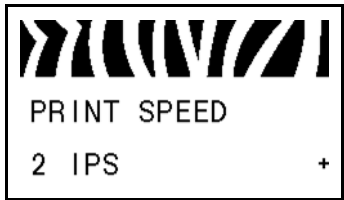
Language/Parameter	Action/Explanation
 <p>PRINT SPEED 2 IPS +</p>	<p>Adjust Print Speed Adjusts the speed for printing a label (given in inches per second). Slower print speeds typically yield better print quality. Print speed changes take effect upon exiting Setup mode.</p> <p><i>Default Value (ZPL): 2 IPS</i> <i>Default Value (EPL): 6 IPS</i></p> <p><i>Range:</i></p> <ul style="list-style-type: none"> • 200 dpi: 2 to 10 IPS • 300 dpi: 2 to 8 IPS • 600 dpi: 1 to 4 IPS <p>To change the value shown:</p> <ol style="list-style-type: none"> 1. Press SELECT to select the parameter. 2. Press PLUS (+) to increase the value. 3. Press MINUS (-) to decrease the value. 4. Press SELECT to accept any changes and deselect the parameter.

Table 11 • Printer Parameters (Page 3 of 25)

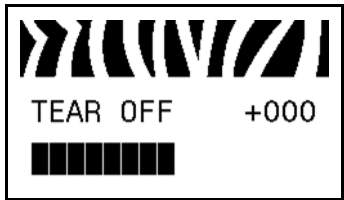
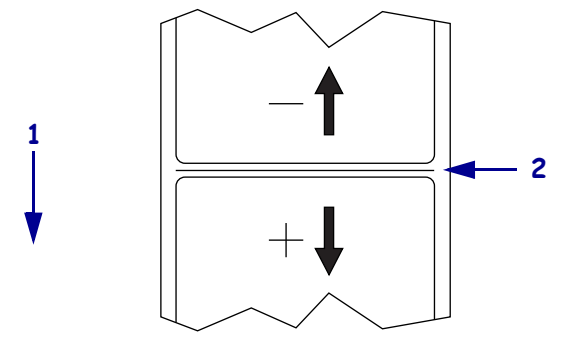
Language/Parameter	Action/Explanation				
	<p>Adjust the Tear-Off Position</p> <p>This parameter establishes the position of the media over the tear-off/peel-off bar after printing.</p> <p>See Figure 13. Higher numbers move the media out (the tear line moves closer to the leading edge of the next label), and lower numbers move the media in (the tear line moves closer to the edge of the label just printed).</p> <p style="text-align: center;">Figure 13 • Tear-Off Position Adjustment</p>  <table border="1" data-bbox="698 987 1299 1060"> <tr> <td style="text-align: center;">1</td> <td>Media direction</td> </tr> <tr> <td style="text-align: center;">2</td> <td>Factory-set tear line location at position 00</td> </tr> </table> <p><i>Default Value:</i> 0 <i>Range:</i> -120 to +120</p> <p>To change the value shown:</p> <ol style="list-style-type: none"> 1. Press SELECT to select the parameter. 2. Press PLUS (+) to increase the value. Each press adjusts the tear-off position by four dot rows. 3. Press MINUS (-) to decrease the value. Each press adjusts the tear-off position by four dot rows. 4. Press SELECT to accept any changes and deselect the parameter. 	1	Media direction	2	Factory-set tear line location at position 00
1	Media direction				
2	Factory-set tear line location at position 00				

Table 11 • Printer Parameters (Page 4 of 25)




Language/Parameter	Action/Explanation
 PRINT MODE -TEAR OFF +	<p>Select Print Mode</p> <p>This parameter tells the printer how printed labels will be removed. Make sure that you select a print mode that is compatible with your printer and printer options. For information about how the print modes work with different printer options, see Print Modes and Printer Options on page 40.</p> <p><i>Default Value (non-RFID printers):</i> TEAR-OFF <i>Selections (non-RFID printers):</i> TEAR-OFF, PEEL-OFF, CUTTER, DELAYED CUT, LINERLESS-P, LINERLESS-R, LINERLESS-T, REWIND</p> <p><i>Default Value (RFID printers):</i> RFID MODE <i>Selections (RFID printers):</i> TEAR-OFF, PEEL-OFF, CUTTER, DELAYED CUT, LINERLESS-P, LINERLESS-R, RFID MODE, LINERLESS-T, REWIND</p> <p> Note • The linerless selections apply only to printers that have the Linerless option.</p> <p>To change the value shown:</p> <ol style="list-style-type: none"> 1. Press SELECT to select the parameter. 2. Press PLUS (+) or MINUS (-) to scroll through the options. 3. Press SELECT to accept any changes and deselect the parameter.
 MEDIA TYPE -GAP / NOTCH +	<p>Set Media Type</p> <p>This parameter tells the printer the type of media that you are using (see Types of Media on page 34 for more information). Selecting continuous media requires that you include a label length instruction in your label format (^LLxxxx if you are using ZPL or ZPL II).</p> <p>When non-continuous media is selected, the printer feeds media to calculate label length (the distance between two recognized registration points of the inter-label gap, webbing, or alignment notch or hole).</p> <p><i>Default Value:</i> GAP/NOTCH <i>Selections:</i> GAP/NOTCH, MARK, CONTINUOUS</p> <p>To change the value shown:</p> <ol style="list-style-type: none"> 1. Press SELECT to select the parameter. 2. Press PLUS (+) or MINUS (-) to scroll through the options. 3. Press SELECT to accept any changes and deselect the parameter.

Table 11 • Printer Parameters (Page 5 of 25)


Language/Parameter	Action/Explanation														
 PRINT METHOD -THERMAL-TRANS. +	<p>Select Print Method</p> <p>The print method parameter tells the printer the method of printing that you want to use: direct thermal (no ribbon) or thermal transfer (using thermal transfer media and ribbon).</p> <p><i>Default Value:</i> THERMAL TRANSFER</p> <p><i>Selections:</i> THERMAL TRANSFER, DIRECT THERMAL</p> <p>To change the value shown:</p> <ol style="list-style-type: none"> 1. Press SELECT to select the parameter. 2. Press PLUS (+) or MINUS (-) to scroll through the options. 3. Press SELECT to accept any changes and deselect the parameter. 														
 PRINT WIDTH 1248 	<p>Set Print Width</p> <p>This parameter specifies the printable area across the width of the label. Table 12 shows the ranges and default values for print width, which are based on the printer model and the printhead resolution.</p> <p style="text-align: center;">Table 12 • Print Width Ranges and Maximum Values</p> <table border="1" data-bbox="581 940 1422 1455"> <thead> <tr> <th rowspan="2">Printhead Resolution</th> <th colspan="2">Printer</th> </tr> <tr> <th>ZM400/RZ400</th> <th>ZM600/RZ600</th> </tr> </thead> <tbody> <tr> <td>200 dpi</td> <td><i>Default Value:</i> 832 <i>Range:</i> 2 to 832 dots</td> <td><i>Default Value:</i> 1344 <i>Range:</i> 2 to 1344 dots</td> </tr> <tr> <td>300 dpi</td> <td><i>Default Value:</i> 1248 <i>Range:</i> 2 to 1248 dots</td> <td><i>Default Value:</i> 1984 <i>Range:</i> 2 to 1984 dots</td> </tr> <tr> <td>600 dpi</td> <td>  Note • 600 dpi is not available on the RZ400. <i>Default Value:</i> 2496 <i>Range:</i> 2 to 2496 dots </td> <td>N/A</td> </tr> </tbody> </table> <p> Note • Setting the width too narrow can result in portions of a label format not being printed on the media. Setting the width too wide wastes formatting memory and can cause printing off of the label and on the platen roller. This setting can affect the horizontal position of the label format if the image was inverted using the ^POI ZPL II command.</p> <p>To change the value shown:</p> <ol style="list-style-type: none"> 1. Press SELECT to select the parameter. 2. Press PLUS (+) or MINUS (-) to change the value shown. 3. Press SELECT to accept any changes and deselect the parameter. 	Printhead Resolution	Printer		ZM400/RZ400	ZM600/RZ600	200 dpi	<i>Default Value:</i> 832 <i>Range:</i> 2 to 832 dots	<i>Default Value:</i> 1344 <i>Range:</i> 2 to 1344 dots	300 dpi	<i>Default Value:</i> 1248 <i>Range:</i> 2 to 1248 dots	<i>Default Value:</i> 1984 <i>Range:</i> 2 to 1984 dots	600 dpi	 Note • 600 dpi is not available on the RZ400. <i>Default Value:</i> 2496 <i>Range:</i> 2 to 2496 dots	N/A
Printhead Resolution	Printer														
	ZM400/RZ400	ZM600/RZ600													
200 dpi	<i>Default Value:</i> 832 <i>Range:</i> 2 to 832 dots	<i>Default Value:</i> 1344 <i>Range:</i> 2 to 1344 dots													
300 dpi	<i>Default Value:</i> 1248 <i>Range:</i> 2 to 1248 dots	<i>Default Value:</i> 1984 <i>Range:</i> 2 to 1984 dots													
600 dpi	 Note • 600 dpi is not available on the RZ400. <i>Default Value:</i> 2496 <i>Range:</i> 2 to 2496 dots	N/A													

Table 11 • Printer Parameters (Page 6 of 25)


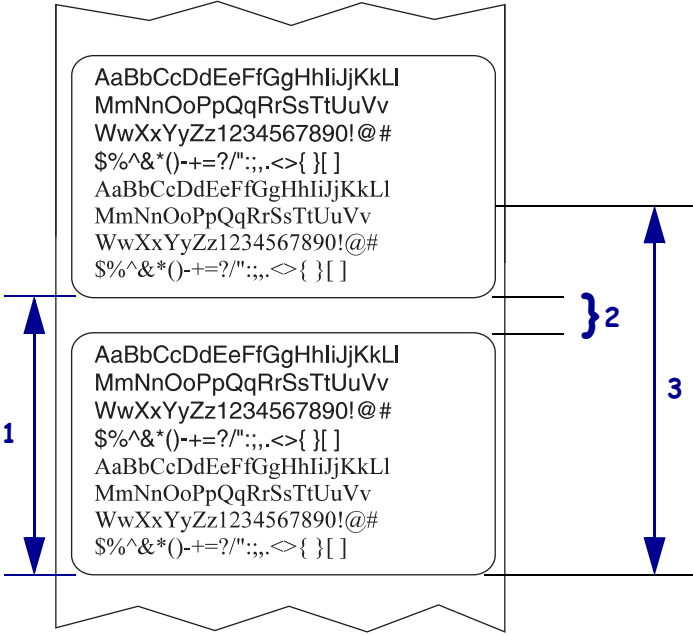
Language/Parameter	Action/Explanation						
	<p>Set Maximum Label Length</p> <p>This parameter is used during the media portion of the calibration process. Always set maximum label length to a value that is at least 1.0 in. (25.4 mm) greater than the actual label length (Figure 14). If the value is set to a smaller value than the label length, the printer assumes that continuous media is loaded, and the printer cannot calibrate.</p> <p>For example, if the label length is 5.0 inches (126 mm) including the interlabel gap, set the parameter for 6.0 inches (152 mm). If the label length is 7.5 inches (190 mm), set the parameter for 9.0 inches (229 mm).</p>						
<p>Figure 14 • Label Length</p>  <table border="1" data-bbox="617 1386 1377 1507"> <tr> <td>1</td> <td>Label length (including interlabel gap)</td> </tr> <tr> <td>2</td> <td>Interlabel gap</td> </tr> <tr> <td>3</td> <td>Set maximum label length to approximately this value</td> </tr> </table>		1	Label length (including interlabel gap)	2	Interlabel gap	3	Set maximum label length to approximately this value
1	Label length (including interlabel gap)						
2	Interlabel gap						
3	Set maximum label length to approximately this value						
<p><i>Default Value:</i> 39.0 inches (988 mm) <i>Selections:</i> Values are adjustable in one-inch (25.4 mm) increments</p>							
<p>To change the value shown:</p> <ol style="list-style-type: none"> 1. Press SELECT to select the parameter. 2. Press PLUS (+) or MINUS (-) to change the value shown. 3. Press SELECT to accept any changes and deselect the parameter. 							

Table 11 • Printer Parameters (Page 7 of 25)




Language/Parameter	Action/Explanation
 EARLY WARNING MAINTENANCE ON	<p>Set Early Warning for Maintenance When this feature is enabled, the printer provides warnings when the printhead needs to be cleaned.</p> <p><i>Default Value:</i> MAINT. OFF <i>Selections:</i> MAINT. OFF, MAINTENANCE ON</p> <p>To change the Early Warning settings:</p> <ol style="list-style-type: none"> 1. Press SELECT to select the parameter. 2. When the LCD displays EARLY WARNING MAINTENANCE, press PLUS (+) or MINUS (-) to toggle between OFF and ON. (If you are prompted for a password, enter your password using the instructions in Change Password-Protected Parameters on page 70.) 3. Exit Setup mode and save changes to enable additional parameters related to the early warning system. 4. Enter Setup mode again and go to the following parameters to enter the printhead cleaning interval and the printhead life. 5. Press SELECT to accept any changes and deselect the parameter.
 HEAD CLEANING 450 M 1476 FT	<p>Set Printhead Cleaning Interval for Early Warning This parameter appears only when Early Warning for Maintenance is enabled. This value should correspond to the length of the media or ribbon roll that you are using.</p> <p><i>Default Value:</i> 450 M/1476 FT <i>Selections:</i> 100 M/328 FT to 450 M/1476 FT in 50 M increments</p> <p>To change the value shown:</p> <ol style="list-style-type: none"> 1. Press SELECT to select the parameter. 2. Press PLUS (+) or MINUS (-) to set the printhead cleaning interval to the desired number of inches of media or ribbon. When the printhead reaches the set length, WARNING CLEAN PRINTHEAD appears on the LCD. If the alert function is enabled, the printer generates an alert. 1. Press SELECT to accept any changes and deselect the parameter.
 HEAD CLEANED? -NO YES+	<p>Reset Printhead Cleaning Counter for Early Warning This parameter appears only when Early Warning for Maintenance is enabled.</p> <p>To reset the printhead cleaning counter:</p> <ol style="list-style-type: none"> 1. Press SELECT to select the parameter. 2. Did you clean the printhead? <ul style="list-style-type: none"> • If you cleaned the printhead, press PLUS (+) to select YES. • If you did not clean the printhead, press MINUS (-) to select NO. 3. Press SELECT to accept any changes and deselect the parameter.

Table 11 • Printer Parameters (Page 8 of 25)

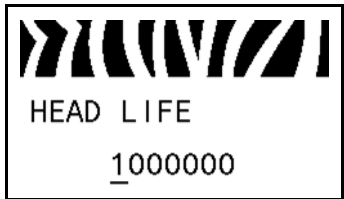




Language/Parameter	Action/Explanation
 <p>HEAD LIFE 1000000</p>	<p>Set Printhead Life for Early Warning</p> <p>This parameter appears only when Early Warning for Maintenance is enabled. Set this value to the number of inches of media that the printhead is expected to print.</p> <p><i>Default Value:</i> 1,000,000 inches <i>Range:</i> 100 to 1,000,000 inches</p> <p>To change the value shown:</p> <ol style="list-style-type: none"> 1. Press SELECT to select the parameter. 2. Press MINUS (-) to move the cursor. 3. Press PLUS (+) to increase the value of the digit. <p>When the printhead reaches the set length, WARNING REPLACE HEAD appears on the LCD. If the alert function is enabled, the printer generates an alert.</p> <ol style="list-style-type: none"> 1. Press SELECT to accept any changes and deselect the parameter.
 <p>NEW PRINTHEAD? -NO YES+</p>	<p>Reset Printhead Life Counter for Early Warning</p> <p>This parameter appears only when Early Warning for Maintenance is enabled.</p> <p>To reset the printhead life counter:</p> <ol style="list-style-type: none"> 1. Press SELECT to select the parameter. 2. Did you replace the printhead? <ul style="list-style-type: none"> • If you replaced the printhead, press PLUS (+) to select YES. • If you did not replace the printhead, press MINUS (-) to select NO. 3. Press SELECT to accept any changes and deselect the parameter.
 <p>NONRESET CNTR 0 IN</p>	<p>View Non-Resettable Counter</p> <p>This parameter displays the total length of media that the printer has printed. You can use ZPL commands to change the unit of measure for this counter. For the commands, refer to the <i>Programming Guide for ZPL, ZBI, Set-Get-Do, Mirror, and WML</i>.</p>
 <p>RESET CNTR1 0 IN</p>	<p>View User-Controlled Counter 1</p> <p>This parameter displays the total length of media that the printer has printed since this parameter was last reset. You can use ZPL commands to change the unit of measure and reset this counter. For the commands, refer to the <i>Programming Guide for ZPL, ZBI, Set-Get-Do, Mirror, and WML</i>.</p>
 <p>RESET CNTR2 0 IN</p>	<p>View User-Controlled Counter 2</p> <p>This parameter displays the total length of media that the printer has printed since this parameter was last reset. You can use ZPL commands to change the unit of measure and reset this counter. For the commands, refer to the <i>Programming Guide for ZPL, ZBI, Set-Get-Do, Mirror, and WML</i>.</p>

Table 11 • Printer Parameters (Page 9 of 25)






Language/Parameter	Action/Explanation
 <p>PRINT METERS</p>	<p>Print Counter Readings Prints a label that lists the odometer readings for the following:</p> <ul style="list-style-type: none"> • the non-resettable counter • the two user-controlled counters • the Early Warning for Maintenance counters, which indicate when the printhead was last cleaned and the printhead life <p>If the Early Warning for Maintenance feature is disabled, the counters related to it do not print.</p> <p>To print a list of the odometer readings:</p> <ol style="list-style-type: none"> 1. Press SELECT to select the parameter. 2. Press PLUS (+) to print the odometer readings. 3. Press SELECT to deselect the parameter.
 <p>LIST FONTS</p>	<p>List Fonts This option prints a label that lists the available fonts in the printer, including standard printer fonts plus any optional fonts. Fonts may be stored in RAM or Flash memory.</p> <p>To print a list of the available fonts:</p> <ol style="list-style-type: none"> 1. Press SELECT to select the parameter. 2. Press PLUS (+) to select PRINT. 3. Press SELECT to deselect the parameter.
<p>ZPL only</p>  <p>LIST BAR CODES</p>	<p>List Bar Codes This option prints a label that lists the available bar codes in the printer. Bar codes may be stored in RAM or Flash memory.</p> <p>To print a list of the available bar codes:</p> <ol style="list-style-type: none"> 1. Press SELECT to select the parameter. 2. Press PLUS (+) to select PRINT. 3. Press SELECT to deselect the parameter.
 <p>LIST IMAGES</p>	<p>List Images This option prints a label that lists the available images stored in the printer's RAM, Flash memory, or optional memory card.</p> <p>To print a list of the available images:</p> <ol style="list-style-type: none"> 1. Press SELECT to select the parameter. 2. Press PLUS (+) to select PRINT. 3. Press SELECT to deselect the parameter.
 <p>LIST FORMATS</p>	<p>List Formats This option prints a label that lists the available formats stored in the printer's RAM, Flash memory, or optional memory card.</p> <p>To print a list of the available formats:</p> <ol style="list-style-type: none"> 1. Press SELECT to select the parameter. 2. Press PLUS (+) to select PRINT. 3. Press SELECT to deselect the parameter.

Table 11 • Printer Parameters (Page 10 of 25)




Language/Parameter	Action/Explanation
 <p>LIST SETUP</p>	<p>List Setup This option prints a configuration label (see Figure 11 on page 71), which lists the current printer configuration.</p> <p>To print a configuration label:</p> <ol style="list-style-type: none"> 1. Press SELECT to select the parameter. 2. Press PLUS (+) to select PRINT. 3. Press SELECT to deselect the parameter.
 <p>LIST NETWORK</p>	<p>List Network Settings This option prints a network configuration label (see Figure 12 on page 72), which lists the settings for any print server that is installed.</p> <p>To print a network configuration label:</p> <ol style="list-style-type: none"> 1. Press SELECT to select the parameter. 2. Press PLUS (+) to select PRINT. 3. Press SELECT to deselect the parameter.
 <p>LIST ALL</p>	<p>List All This option prints labels that list the available fonts, bar codes, images, formats, and the current printer and network configurations.</p> <p>To print labels for all settings:</p> <ol style="list-style-type: none"> 1. Press SELECT to select the parameter. 2. Press PLUS (+) to select PRINT. 3. Press SELECT to deselect the parameter.

Table 11 • Printer Parameters (Page 11 of 25)




Language/Parameter	Action/Explanation
	<p>Format Memory Card</p> <p> Note • This parameter appears only when a Wireless Plus option board with the flash chip populated is installed.</p> <p>This option erases all previously stored information from the 64 MB flash chip.</p> <p>Caution • This option completely erases the flash chip.</p> <p>To format a memory card:</p> <ol style="list-style-type: none"> 1. Press SELECT to select the parameter. 2. Press PLUS (+) to select A: or OPT: MEM (APL-D only). If your printer is set to require a password, you are prompted to enter the password. 3. Enter the password. For instructions, see Change Password-Protected Parameters on page 70. 4. Press the appropriate button again to select the desired card. The display shows ARE YOU SURE? 5. Do you want to continue? <ul style="list-style-type: none"> • Press MINUS (-) to select NO to cancel the request and return to FORMAT CARD prompt. • Press PLUS (+) to select YES and begin initialization. When initialization is complete, the control panel displays FORMATTING CARD COMPLETED. <p> Note • Depending on the amount of memory in the memory card, initialization may take up to 5 minutes to complete.</p> <ol style="list-style-type: none"> 6. Press SELECT to deselect the parameter.

Table 11 • Printer Parameters (Page 12 of 25)




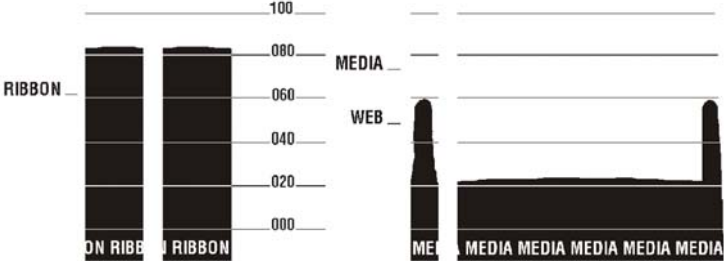
Language/Parameter	Action/Explanation
	<p>Initialize Flash Memory</p> <p>This option erases all previously stored information from Flash memory.</p> <p>Caution • This option completely erases the Flash memory.</p> <p>To initialize Flash memory:</p> <ol style="list-style-type: none"> 1. Press SELECT to select the parameter. 2. If prompted for a password, enter the printer password. For instructions, see Change Password-Protected Parameters on page 70. The display shows INITIALIZE FLASH? 3. Press PLUS (+) to select YES. The display shows ARE YOU SURE? 4. Do you want to continue? <ul style="list-style-type: none"> • Press MINUS (-) to select NO to cancel the request and return to the INITIALIZE FLASH prompt. • Press PLUS (+) to select YES and begin initialization. When initialization is complete, the control panel displays INITIALIZING MEMORY COMPLETED. <p> Note • Depending on the amount of free FLASH memory, initialization may take up to 1 minute to complete.</p> 5. Press SELECT to accept any changes and deselect the parameter.
	<p>Print Sensor Profile</p> <p>A sensor profile shows sensor settings compared to actual sensor readings. This label (which will extend across several actual labels or tags) can be used to troubleshoot printing problems. To interpret the results of the sensor profile, see Sensor Profile on page 137.</p>  <p>To print a sensor profile:</p> <ol style="list-style-type: none"> 1. Press SELECT to select the parameter. 2. Press PLUS (+) to start this standard calibration procedure and print a media sensor profile. 3. If the sensitivity of the sensors must be adjusted, perform Calibrate Media and Ribbon Sensor Sensitivity on page 85. 4. Press SELECT to accept any changes and deselect the parameter.

Table 11 • Printer Parameters (Page 13 of 25)



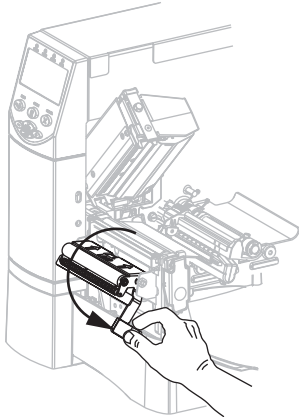
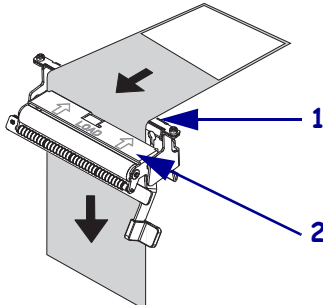
Language/Parameter	Action/Explanation
 MEDIA AND RIBBON CALIBRATE+	<p>Calibrate Media and Ribbon Sensor Sensitivity Use this procedure to adjust sensitivity of media and ribbon sensors.</p> <p> Important • Follow this procedure exactly as presented. All of the steps must be performed even if only one of the sensors requires adjustment. You may press MINUS (-) at any step in this procedure to cancel the process.</p> <p>To perform a media and ribbon sensor calibration:</p> <ol style="list-style-type: none"> 1. Press SELECT to select the parameter. 2. Press PLUS (+) to start the calibration procedure. The LOAD BACKING prompt displays. 1. Open the printhead. 2. Remove approximately 8 in. (203 mm) of labels from the backing (liner), and pull the media into the printer so that only the backing is between the media sensors. 3. If your printer has the Peel-Off, Liner Take-Up, or Rewind option, complete the following substeps: <ol style="list-style-type: none"> a. Push down the peel-off mechanism release lever to open the peel assembly. <div style="text-align: center;">  </div> <ol style="list-style-type: none"> b. Feed the liner over the tear-off/peel-off bar (1) and behind the peel assembly (2). Make sure that the end of the liner falls outside of the printer. <div style="text-align: center;">  </div>

Table 11 • Printer Parameters (Page 14 of 25)


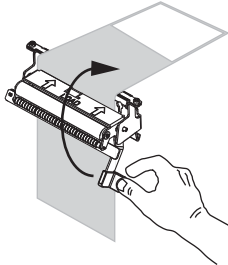
Language/Parameter	Action/Explanation
<p>(continued from previous page)</p>	<p>Calibrate Media and Ribbon Sensor Sensitivity (continued)</p> <p> Caution • Use the peel release lever and your right hand to close the peel assembly. Do not use your left hand to assist in closing. The top edge of the peel roller/assembly could pinch your fingers.</p> <p>c. Close the peel assembly using the peel-off mechanism release lever.</p>  <p>4. Leave the printhead open.</p> <p>5. Press PLUS (+) to continue. The REMOVE RIBBON prompt displays.</p> <p>1. Remove the ribbon (if used).</p> <p>2. Close the printhead.</p> <p>3. Press PLUS (+) to continue. The message CALIBRATING PLEASE WAIT displays. The printer adjusts the scale (gain) of the signals that it receives from the media and ribbon sensors based on the specific media and ribbon combination being used. On the sensor profile, this essentially corresponds to moving the peak of the graph up or down to optimize the readings for your application. When calibration is complete, RELOAD ALL displays.</p> <p>1. Open the printhead and pull the media forward until a label is positioned under the media sensor.</p> <p>2. Reload the ribbon (if used).</p> <p>3. Close the printhead.</p> <p>4. Press PLUS (+) to continue. The printer performs an auto-calibration. During this process, the printer checks the readings for the media and ribbon based on the new scale established, determines the label length, and determines the print mode. To see the new readings on the new scale, print a sensor profile.</p> <p>1. Press SELECT to accept any changes and deselect the parameter.</p>

Table 11 • Printer Parameters (Page 15 of 25)





Language/Parameter	Action/Explanation
 PARALLEL COMM. -BIDIRECTIONAL +	<p>Set Parallel Communications</p> <p>Select the communications port that matches the one being used by the host computer.</p> <p><i>Default Value:</i> BIDIRECTIONAL <i>Selections:</i> BIDIRECTIONAL, UNIDIRECTIONAL</p> <p>To change the value shown:</p> <ol style="list-style-type: none"> 1. Press SELECT to select the parameter. 2. Press PLUS (+) or MINUS (-) to scroll through the options. 3. Press SELECT to accept any changes and deselect the parameter.
<p>ZPL only</p>  SERIAL COMM. -RS232 +	<p>Set Serial Communications</p> <p>Select the communications port that matches the one being used by the host computer. This setting applies only when the serial port is used.</p> <p> Note • Select RS232 if you are using an external adapter to enable RS422/485 operation.</p> <p><i>Default Value:</i> RS232 <i>Selections:</i> RS232, RS485 MULTIDROP</p> <p>To change the value shown:</p> <ol style="list-style-type: none"> 1. Press SELECT to select the parameter. 2. Press PLUS (+) or MINUS (-) to scroll through the options. 3. Press SELECT to accept any changes and deselect the parameter.
 BAUD -9600 +	<p>Set Baud</p> <p>This setting applies only when the serial port is used. The baud setting of the printer must match the baud setting of the host computer for accurate communications to take place. Select the value that matches the one being used by the host computer.</p> <p><i>Default Value:</i> 9600 <i>Selections (ZPL, APL-I, APL-D):</i> 300, 600, 1200, 2400, 4800, 9600, 14400, 19200, 28800, 38400, 57600, 115200 <i>Selections (EPL):</i> 1200, 2400, 4800, 9600, 19200, 38400, 57600, 115200</p> <p>To change the value shown:</p> <ol style="list-style-type: none"> 1. Press SELECT to select the parameter. 2. Press PLUS (+) or MINUS (-) to scroll through the options. 3. Press SELECT to accept any changes and deselect the parameter.

Table 11 • Printer Parameters (Page 16 of 25)




Language/Parameter	Action/Explanation
 <p>DATA BITS -8 BITS</p>	<p>Set Data Bits</p> <p>This setting applies only when the serial port is used. The data bits of the printer must match the data bits of the host computer for accurate communications to take place. Set the data bits to match the setting being used by the host computer.</p> <p><i>Default Value:</i> 8 BITS <i>Selections:</i> 7 BITS, 8 BITS</p> <p>To change the value shown:</p> <ol style="list-style-type: none"> 1. Press SELECT to select the parameter. 2. Press PLUS (+) or MINUS (-) to toggle between the options. 3. Press SELECT to accept any changes and deselect the parameter.
 <p>PARITY -NONE +</p>	<p>Set Parity</p> <p>This setting applies only when the serial port is used. The parity of the printer must match the parity of the host computer for accurate communications to take place. Select the parity that matches the one being used by the host computer.</p> <p><i>Default Value:</i> NONE <i>Selections:</i> EVEN, ODD, NONE</p> <p>To change the value shown:</p> <ol style="list-style-type: none"> 1. Press SELECT to select the parameter. 2. Press PLUS (+) or MINUS (-) to scroll through the options. 3. Press SELECT to accept any changes and deselect the parameter.
 <p>HOST HANDSHAKE -XON/XOFF +</p>	<p>Set Host Handshake</p> <p>This setting applies only when the serial port is used. The handshake protocol of the printer must match the handshake protocol of the host computer for communication to take place. Select the handshake protocol that matches the one being used by the host computer.</p> <p><i>Default Value (ZPL):</i> XON/XOFF <i>Selections (ZPL):</i> XON/XOFF, DSR/DTR, RTS/CTS</p> <p><i>Default Value (EPL):</i> DTR & XON/XOFF <i>Selections (EPL):</i> DTR & XON/XOFF, DTR</p> <p>To change the value shown:</p> <ol style="list-style-type: none"> 1. Press SELECT to select the parameter. 2. Press PLUS (+) or MINUS (-) to scroll through the options. 3. Press SELECT to accept any changes and deselect the parameter.

Table 11 • Printer Parameters (Page 17 of 25)



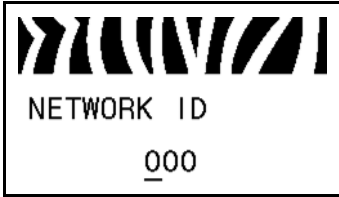
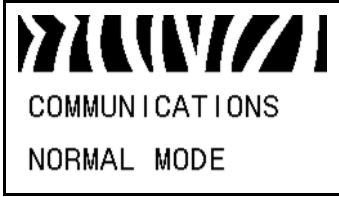
Language/Parameter	Action/Explanation
<p>ZPL only</p> 	<p>Set Protocol</p> <p>Protocol is a type of error checking system. Depending on the selection, an indicator may be sent from the printer to the host computer signifying that data has been received. Select the protocol that is requested by the host computer. Further details on protocol can be found in the <i>Programming Guide for ZPL, ZBI, Set-Get-Do, Mirror, and WML</i>.</p> <p><i>Default Value:</i> NONE</p> <p><i>Selections:</i> NONE, ZEBRA, ACK_NAK</p> <p> Note • ZEBRA is the same as ACK_NAK, except that ZEBRA response messages are sequenced. If ZEBRA is selected, the printer must use DSR/DTR for host handshake protocol.</p> <p>To change the value shown:</p> <ol style="list-style-type: none"> 1. Press SELECT to select the parameter. 2. Press PLUS (+) or MINUS (-) to scroll through the options. 3. Press SELECT to accept any changes and deselect the parameter.
<p>ZPL only</p> 	<p>Set Network ID</p> <p>This parameter assigns a unique number to the printer when the printer is operating in an RS422/485 multi-drop network environment (an external RS422/485 adapter is required). This gives the host computer the means to address a specific printer. This does not affect TCP/IP or IPX networks.</p> <p><i>Default Value:</i> 000</p> <p><i>Range:</i> 000 to 999</p> <p>To change the value shown:</p> <ol style="list-style-type: none"> 1. Press SELECT to select the parameter. 2. Press MINUS (-) to move to the next digit position. 3. Press PLUS (+) to increase the value of the digit. 4. Press SELECT to accept any changes and deselect the parameter.
	<p>Set Communications Mode</p> <p>The communication diagnostics mode is a troubleshooting tool for checking the interconnection between the printer and the host computer. For more information, see Communications Diagnostics Test on page 136.</p> <p><i>Default Value:</i> NORMAL MODE</p> <p><i>Selections:</i> NORMAL MODE, DIAGNOSTICS</p> <p>To select communication diagnostics mode:</p> <ol style="list-style-type: none"> 1. Press SELECT to select the parameter. 2. Press PLUS (+) or MINUS (-) to toggle between the options. 3. Press SELECT to accept any changes and deselect the parameter.

Table 11 • Printer Parameters (Page 18 of 25)





Language/Parameter	Action/Explanation
<p>ZPL only</p> 	<p>Set Control Prefix Character</p> <p>The printer looks for this two-digit hex character to indicate the start of a ZPL/ZPL II control instruction.</p> <p> Note • Do not use the same hex value for the control, format, and delimiter character. The printer must see different characters to work properly.</p> <p><i>Default Value:</i> 7E ~ <i>Range:</i> 00 to FF</p> <p>To change the value shown:</p> <ol style="list-style-type: none"> 1. Press SELECT to select the parameter. 2. Press MINUS (-) to move to the next digit position. 3. Press PLUS (+) to increase the value of the digit. 4. Press SELECT to accept any changes and deselect the parameter.
<p>ZPL only</p> 	<p>Set Format Prefix Character</p> <p>The format prefix is a two-digit hex value used as a parameter place marker in ZPL/ZPL II format instructions. The printer looks for this hex character to indicate the start of a ZPL/ZPL II format instruction. See the <i>Programming Guide for ZPL, ZBI, Set-Get-Do, Mirror, and WML</i> for more information.</p> <p> Note • Do not use the same hex value for the control, format, and delimiter character. The printer must see different characters to work properly.</p> <p><i>Default Value:</i> 5E ^ <i>Range:</i> 00 to FF</p> <p>To change the value shown:</p> <ol style="list-style-type: none"> 1. Press SELECT to select the parameter. 2. Press MINUS (-) to move to the next digit position. 3. Press PLUS (+) to increase the value of the digit. 4. Press SELECT to accept any changes and deselect the parameter.

Table 11 • Printer Parameters (Page 19 of 25)




Language/Parameter	Action/Explanation
<p>ZPL only</p> 	<p>Set Delimiter Character</p> <p>The delimiter character is a two-digit hex value used as a parameter place marker in ZPL/ZPL II format instructions. See the <i>Programming Guide for ZPL, ZBI, Set-Get-Do, Mirror, and WML</i> for more information.</p> <p> Note • Do not use the same hex value for the control, format, and delimiter character. The printer must see different characters to work properly.</p> <p><i>Default Value:</i> 2C , <i>Range:</i> 00 to FF</p> <p>To change the value shown:</p> <ol style="list-style-type: none"> 1. Press SELECT to select the parameter. 2. Press MINUS (-) to move to the next digit position. 3. Press PLUS (+) to increase the value of the digit. 4. Press SELECT to accept any changes and deselect the parameter.
<p>ZPL only</p> 	<p>Select ZPL Mode</p> <p>The printer remains in the selected mode until it is changed by this parameter or by using a ZPL/ZPL II command. The printer accepts label formats written in either ZPL or ZPL II, eliminating the need to rewrite any ZPL formats that already exist. See the <i>Programming Guide for ZPL, ZBI, Set-Get-Do, Mirror, and WML</i> for more information on the differences between ZPL and ZPL II.</p> <p><i>Default Value:</i> ZPL II <i>Range:</i> ZPL II, ZPL</p> <p>To change the value shown:</p> <ol style="list-style-type: none"> 1. Press SELECT to select the parameter. 2. Press PLUS (+) or MINUS (-) to toggle between the options. 3. Press SELECT to accept any changes and deselect the parameter.

Table 11 • Printer Parameters (Page 20 of 25)



Language/Parameter	Action/Explanation
 MEDIA POWER UP -CALIBRATION +	<p>Select Media Power-Up Option This parameter sets the action of the media when you turn on the printer.</p> <p><i>Default Value (non-RFID printers):</i> CALIBRATION <i>Default Value (RFID printers):</i> FEED <i>Selections:</i> CALIBRATION, SHORT CAL, LENGTH, NO MOTION, FEED</p> <ul style="list-style-type: none"> • Calibration adjusts sensor levels and thresholds, determines length, and feeds the media to the next web. • Short Cal sets media and web thresholds without adjusting sensor gain, determines length, and feeds the media to the next web. • Length determines label length using current sensor values, and feeds the media to the next web. • No Motion tells the printer not to move the media. You must manually ensure that the web is positioned correctly, or press feed to position the next web. • Feed—feeds the labels to the first registration point. <p>To change the value shown:</p> <ol style="list-style-type: none"> 1. Press SELECT to select the parameter. 2. Press PLUS (+) or MINUS (-) to scroll through the options. 3. Press SELECT to accept any changes and deselect the parameter.
 HEAD CLOSE -CALIBRATION +	<p>Select Head Close Option This parameter sets the action of the media when you close the printhead.</p> <p><i>Default Value (non-RFID printers):</i> CALIBRATION <i>Default Value (RFID printers):</i> FEED <i>Selections:</i> CALIBRATION, SHORT CAL, LENGTH, NO MOTION, FEED</p> <ul style="list-style-type: none"> • Calibration adjusts sensor levels and thresholds, determines length, and feeds the media to the next web. • Short Cal sets media and web thresholds without adjusting sensor gain, determines length, and feeds the media to the next web. • Length determines label length using current sensor values, and feeds the media to the next web. • No Motion tells the printer not to move the media. You must manually ensure that the web is positioned correctly, or press feed to position the next web. • Feed—feeds the labels to the first registration point. <p>To change the value shown:</p> <ol style="list-style-type: none"> 1. Press SELECT to select the parameter. 2. Press PLUS (+) or MINUS (-) to scroll through the options. 3. Press SELECT to accept any changes and deselect the parameter.

Table 11 • Printer Parameters (Page 21 of 25)




Language/Parameter	Action/Explanation
 <p>BACKFEED -DEFAULT +</p>	<p>Select Backfeed Sequence</p> <p>This parameter sets when label backfeed occurs after a label is removed in some print modes. It has no effect in Rewind mode. This setting is superseded by ~JS when received as part of a label format (see the <i>Programming Guide for ZPL, ZBI, Set-Get-Do, Mirror, and WML</i> for more information).</p> <p><i>Default Value:</i> DEFAULT (90%)</p> <p><i>Selections:</i> DEFAULT, AFTER, OFF, BEFORE, 10%, 20%, 30%, 40%, 50%, 60%, 70%, 80%</p> <p>To change the value shown:</p> <ol style="list-style-type: none"> 1. Press SELECT to select the parameter. 2. Press PLUS (+) or MINUS (-) to scroll through the options. 3. Press SELECT to accept any changes and deselect the parameter.
 <p>LABEL TOP +000 - +</p>	<p>Adjust Label Top Position</p> <p>This parameter adjusts the print position vertically on the label. Positive numbers adjust the label top position farther down the label (away from the printhead) by the specified number of dots. Negative numbers adjust the position up the label (toward the printhead).</p> <p><i>Default Value:</i> +000</p> <p><i>Range:</i> -120 to +120</p> <p>To change the value shown:</p> <ol style="list-style-type: none"> 1. Press SELECT to select the parameter. 2. Press PLUS (+) to increase the value. 3. Press MINUS (-) to decrease the value. 4. Press SELECT to accept any changes and deselect the parameter.
 <p>LEFT POSITION - +0000 +</p>	<p>Adjust Left Position</p> <p>This parameter adjusts the print position horizontally on the label. Positive numbers adjust printing to the left by the specified number of dots. Negative numbers shift printing to the right.</p> <p><i>Default Value:</i> 0000</p> <p><i>Range:</i> -9999 to +9999 dots</p> <p>To change the value shown:</p> <ol style="list-style-type: none"> 1. Press SELECT to select the parameter. 2. Press MINUS (-) to move the cursor. 3. Press PLUS (+) to change between +/- and to increase the value of the digit. For a negative value, enter the value before changing to the minus sign. 4. Press SELECT to accept any changes and deselect the parameter.

Table 11 • Printer Parameters (Page 22 of 25)

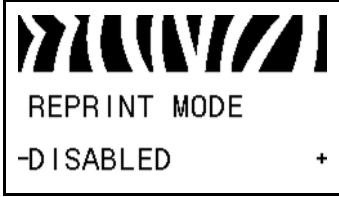




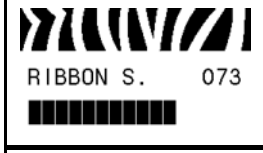


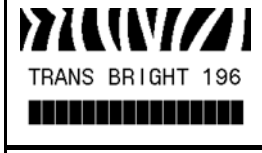
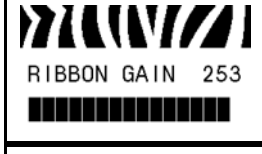
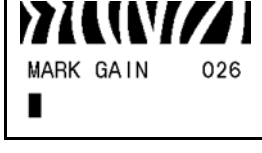
Language/Parameter	Action/Explanation
<p>ZPL only</p>  <p>REPRINT MODE -DISABLED +</p>	<p>Set Reprint Mode</p> <p>When reprint mode is enabled, you can reprint the last label printed either by issuing the ~PR ZPL command or by pressing MINUS (-) on the control panel.</p> <p><i>Default Value:</i> DISABLED <i>Selections:</i> ENABLED, DISABLED</p> <p>To change the value shown:</p> <ol style="list-style-type: none"> 1. Press SELECT to select the parameter. 2. Press PLUS (+) or MINUS (-) to toggle between the options. 3. Press SELECT to accept any changes and deselect the parameter.
<p>See next column</p>	<p>View Sensor Settings</p> <p>These parameters are automatically set during the calibration procedure and should be changed only by a qualified service technician. Refer to the <i>Programming Guide for ZPL, ZBI, Set-Get-Do, Mirror, and WML</i> for information on these parameters.</p> <p>To skip these parameters:</p> <ol style="list-style-type: none"> 1. Press PLUS (+) to skip each of the following parameters: <div style="display: flex; justify-content: space-around;"> <div style="border: 1px solid black; padding: 5px; width: 45%;">  <p>WEB S. 030</p> </div> <div style="border: 1px solid black; padding: 5px; width: 45%;">  <p>TRANS GAIN 060</p> </div> </div> <div style="display: flex; justify-content: space-around;"> <div style="border: 1px solid black; padding: 5px; width: 45%;">  <p>MEDIA S. 040</p> </div> <div style="border: 1px solid black; padding: 5px; width: 45%;">  <p>TRANS BASE 100</p> </div> </div> <div style="display: flex; justify-content: space-around;"> <div style="border: 1px solid black; padding: 5px; width: 45%;">  <p>RIBBON S. 073</p> </div> <div style="border: 1px solid black; padding: 5px; width: 45%;">  <p>TRANS BRIGHT 196</p> </div> </div> <div style="display: flex; justify-content: space-around;"> <div style="border: 1px solid black; padding: 5px; width: 45%;">  <p>TAKE LABEL 100</p> </div> <div style="border: 1px solid black; padding: 5px; width: 45%;">  <p>RIBBON GAIN 253</p> </div> </div> <div style="display: flex; justify-content: space-around;"> <div style="border: 1px solid black; padding: 5px; width: 45%;">  <p>MARK S. 050</p> </div> <div style="border: 1px solid black; padding: 5px; width: 45%;">  <p>MARK GAIN 026</p> </div> </div>

Table 11 • Printer Parameters (Page 23 of 25)

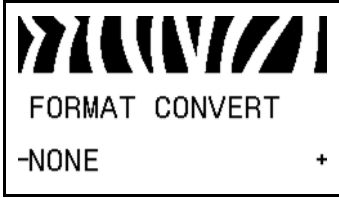
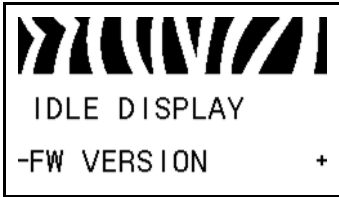

Language/Parameter	Action/Explanation
<p>ZPL only</p>  <p>The LCD display shows a barcode at the top, followed by the text 'FORMAT CONVERT', '-NONE', and a '+' symbol on the right side.</p>	<p>Select Format Convert</p> <p>Selects the bitmap scaling factor. The first number is the original dots per inch (dpi) value; the second, the dpi to which you would like to scale.</p> <p><i>Default Value:</i> NONE</p> <p><i>Selections:</i> NONE, 150 → 300, 150 → 600, 200 → 600, 300 → 600</p> <p>To change the value shown:</p> <ol style="list-style-type: none"> 1. Press SELECT to select the parameter. 2. Press PLUS (+) or MINUS (-) to scroll through the options. 3. Press SELECT to accept any changes and deselect the parameter.
 <p>The LCD display shows a barcode at the top, followed by the text 'IDLE DISPLAY', '-FW VERSION', and a '+' symbol on the right side.</p>	<p>Select Idle Display</p> <p>This parameter selects the LCD options for the real-time clock.</p> <p> Note • If the default value is not selected, pressing PLUS (+) or MINUS (-) briefly displays the firmware version of the printer.</p> <p><i>Default Value:</i> FIRMWARE (FW) VERSION</p> <p><i>Selections:</i> MM/DD/YY (24HR), MM/DD/YY (12HR), DD/MM/YY (24HR), DD/MM/YY (12HR), FW VERSION</p> <p>To change the value shown:</p> <ol style="list-style-type: none"> 1. Press SELECT to select the parameter. 2. Press PLUS (+) or MINUS (-) to scroll through the options. 3. Press SELECT to accept any changes and deselect the parameter.

Table 11 • Printer Parameters (Page 24 of 25)



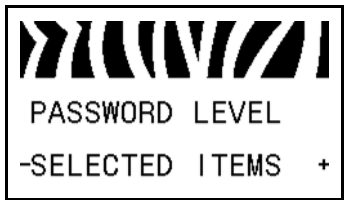

Language/Parameter	Action/Explanation
 <p>RTC DATE 01/01/98</p>	<p>Set Real-Time Clock (RTC) Date This parameter allows you to set the date following the convention selected in IDLE DISPLAY.</p> <p>To change the value shown:</p> <ol style="list-style-type: none"> 1. Press SELECT to select the parameter. 2. Press MINUS (-) to move to the next digit position. 3. Press PLUS (+) to change the value of the digit. 4. Press SELECT to accept any changes and deselect the parameter.
 <p>RTC TIME 01:23</p>	<p>Set RTC Time This parameter allows you to set the time following the convention selected in IDLE DISPLAY.</p> <p>To change the value shown:</p> <ol style="list-style-type: none"> 1. Press SELECT to select the parameter. 2. Press the left oval MINUS (-) to move to the next digit position. 3. Press the right oval PLUS (+) to change the value of the digit. 4. Press SELECT to accept any changes and deselect the parameter.
 <p>PASSWORD LEVEL -SELECTED ITEMS +</p>	<p>Specify Password Level This parameter allows you to select whether certain factory-selected menu items or all menu items are password protected.</p> <p><i>Default Value:</i> SELECTED ITEMS <i>Selections:</i> SELECTED ITEMS, ALL ITEMS</p> <ol style="list-style-type: none"> 1. Press SELECT to select the parameter. 2. Press PLUS (+) or MINUS (-) to toggle between the options. 3. Press SELECT to accept any changes and deselect the parameter.

Table 11 • Printer Parameters (Page 25 of 25)

Language/Parameter	Action/Explanation	
	<p>Select the Display Language</p> <p>This parameter changes the language displayed on the LCD. Each language selection is displayed in the language itself.</p> <p><i>Default Value:</i> ENGLISH</p> <p><i>Selections:</i> ENGLISH, SPANISH, FRENCH, GERMAN, ITALIAN, NORWEGIAN, PORTUGUESE, SWEDISH, DANISH, SPANISH 2, DUTCH, FINNISH, JAPANESE, KOREAN, SIMPLIFIED CHINESE, TRADITIONAL CHINESE</p>	
<p>To change the value shown:</p> <ol style="list-style-type: none"> 1. Press SELECT to select the parameter. 2. Press PLUS (+) or MINUS (-) to scroll through the options. 3. Press SELECT to accept any changes and deselect the parameter. 		

Additional Control Panel Parameters

Additional parameters appear in the following situations.

- When a Radio Frequency Identification (RFID) reader is installed. For more information, refer to the *RFID Programming Guide*.
- When a wired print server is installed in the printer. For more information, refer to the *ZebraNet 10/100 Print Server User and Reference Guide*
- When a wireless print server is installed in the printer. Refer to the *ZebraNet Wireless User Guide*.

Copies of the print server manuals and the *RFID Programming Guide* are available at <http://www.zebra.com/manuals> or on the user CD that came with your printer.



Routine Maintenance

This section provides routine cleaning and maintenance procedures.

Contents

Replacing Printer Components	100
Ordering Replacement Parts	100
Recycling Printer Components	100
Lubrication	100
Cleaning Schedule and Procedures	101
Clean the Exterior	101
Clean the Printhead and Platen Roller	102
Clean the Media Compartment and Sensors	105
Clean the Cutter Module	106
Routine Maintenance for the Rewind Option	108
Remove Printed Labels or Liner from the Rewind Spindle	108
Adjust Media Alignment for Rewind Option	110

Replacing Printer Components

Ordering Replacement Parts

For optimal printing quality and proper printer performance across our product line, Zebra strongly recommends the use of genuine Zebra™ supplies as part of the total solution. Specifically, the ZM400, ZM600, RZ400, and RZ600 are designed to work only with genuine Zebra™ printheads, thus maximizing safety and print quality.

Contact your authorized Zebra reseller for part ordering information, or see [Contacts on page 11](#) for contact addresses and telephone numbers.

Recycling Printer Components



The majority of this printer's components are recyclable. The printer's main logic board includes a battery that you should dispose of properly.

Do not dispose of any printer components in unsorted municipal waste. Please dispose of the battery according to your local regulations, and recycle the other printer components according to your local standards. For more information, see <http://www.zebra.com/environment>.

Lubrication

No lubrication is needed for this printer.

Caution • Some commercially available lubricants will damage the finish and the mechanical parts if used on this printer.

Cleaning Schedule and Procedures



Important • Zebra is not responsible for damage caused by the use of cleaning fluids on this printer.

Specific cleaning procedures are provided on the following pages. [Table 13](#) shows the recommended cleaning schedule. These intervals are intended as guidelines only. You may have to clean more often, depending upon your application and media.

Table 13 • Recommended Cleaning Schedule

Area	Method	Interval
Printhead	Solvent*	Direct Thermal Mode: After every roll of media (or 500 feet of fanfold media). Thermal Transfer Mode: After every roll of ribbon or three rolls of media.
Platen roller	Solvent*	
Media sensors	Air blow	
Ribbon sensor	Air blow	
Media path	Solvent*	
Ribbon path	Solvent*	
Pinch roller (part of Peel-Off option)	Solvent*	
Tear-off/peel-off bar	Solvent*	Once a month.
Take-label sensor	Air blow	Once every six months.

* Zebra recommends using Preventive Maintenance Kit (part number 47362). In place of this kit, you may use a clean swab dipped in a solution of isopropyl alcohol (minimum 90%) and deionized water (maximum 10%).

Clean the Exterior

You may clean the exterior surfaces of the printer with a lint-free cloth and a small amount of a mild detergent, if necessary. Do not use harsh or abrasive cleaning agents or solvents.

Clean the Printhead and Platen Roller

You can minimize printhead wear and maintain print quality with regular preventive measures. Over time, the movement of media or ribbon across the printhead wears through the protective ceramic coating, exposing and eventually damaging the print elements (dots). To avoid abrasion:

- Clean the printhead frequently, and use well-lubricated thermal transfer ribbons with backings optimized to reduce friction.
- Minimize printhead pressure and burn temperature settings by optimizing the balance between the two.
- Ensure that the thermal transfer ribbon is as wide or wider than the label media to prevent exposing the elements to the more abrasive label material.

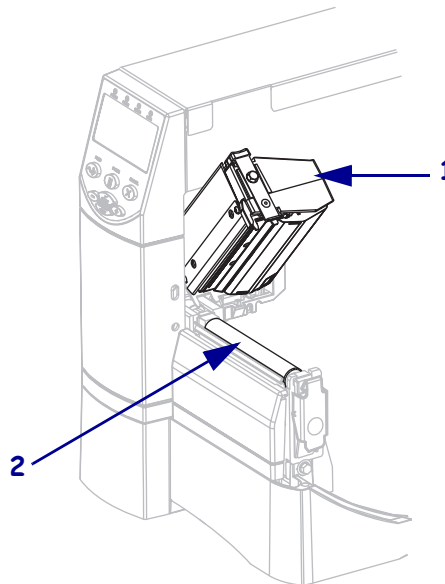
For best results, clean the printhead after changing every roll of ribbon. Inconsistent print quality, such as voids in the bar code or graphics, may indicate a dirty printhead.

Caution • While performing any tasks near an open printhead, remove all rings, watches, hanging necklaces, identification badges, or other metallic objects that could touch the printhead. You are not required to turn off the printer power when working near an open printhead, but Zebra recommends it as a precaution. If you turn off the power, you will lose all temporary settings, such as label formats, and you must reload them before you resume printing.



Note • For printers with a peel assembly, keep the peel assembly closed while cleaning the platen roller to reduce the risk of bending the tear-off/peel-off bar.

Figure 15 • Location of the Printhead and Platen Roller



1	Printhead assembly
2	Platen roller



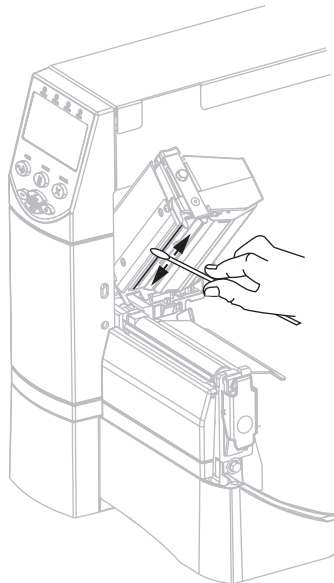
Caution • The printhead may be hot and could cause severe burns. Allow the printhead to cool.



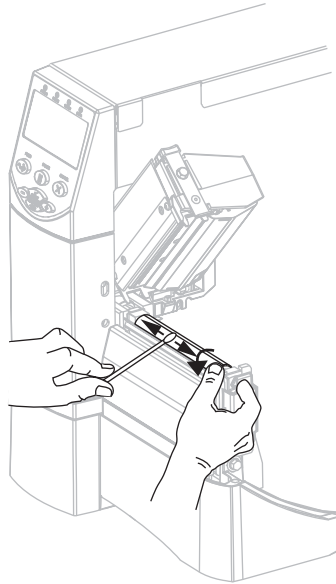
Caution • Before touching the printhead assembly, discharge any built-up static electricity by touching the metal printer frame or by using an antistatic wriststrap and mat.

To clean the printhead and platen roller, complete these steps:

1. Open the printhead assembly.
2. Remove the media and ribbon.
3. Using the swab from the Preventive Maintenance Kit (part number 47362), wipe along the brown strip on the printhead assembly from end to end. In place of the Preventive Maintenance Kit, you may use a clean swab dipped in a solution of isopropyl alcohol (minimum 90%) and deionized water (maximum 10%). Allow the solvent to evaporate.



4. While manually rotating the platen roller, clean it thoroughly with the swab. Allow the solvent to evaporate.



5. Reload media and ribbon, and close the printhead assembly.



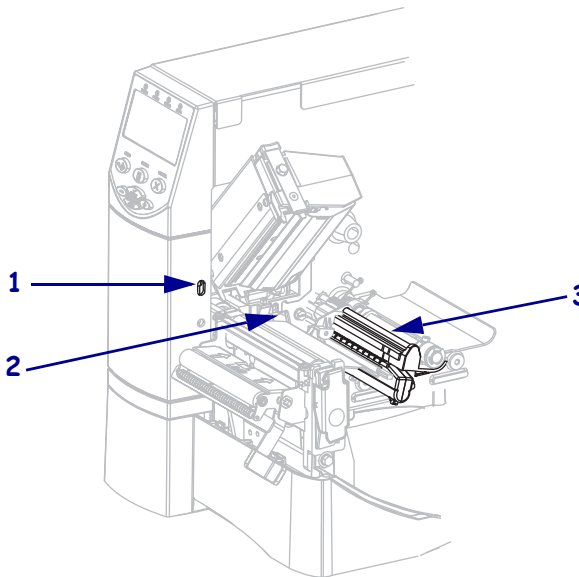
Note • If performing this procedure does not improve print quality, try cleaning the printhead with *Save-A-Printhead* cleaning film. This specially coated material removes contamination buildup without damaging the printhead. Call your authorized Zebra reseller for more information.

Clean the Media Compartment and Sensors

To clean the media compartment and sensors, complete these steps:

1. Brush or vacuum any accumulated paper lint and dust away from the media and ribbon paths.
2. Brush or vacuum any paper lint and dust away from the sensors (see [Figure 16](#)).

Figure 16 • Cleaning the Sensors



1	Take-label sensor
2	Ribbon sensor
3	Media sensor

Clean the Cutter Module

If the cutter is not cutting the labels cleanly or if it jams with labels, clean the cutter.



Caution • For personnel safety, always power off and unplug the printer before performing this procedure.

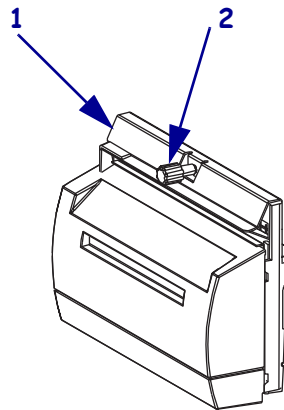
To clean the cutter module, complete these steps:

1. Turn the printer off (O), and unplug the printer from its power source.

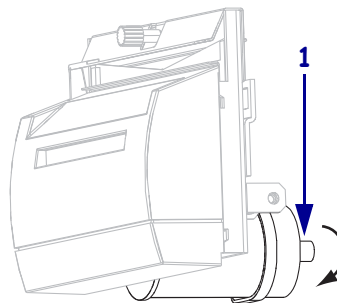


2. **Caution** • The cutter blade is sharp. Do not touch or rub the blade with your fingers.
-

Remove the cutter shield (1) by removing the cutter shield thumbscrew and lock washer (2).

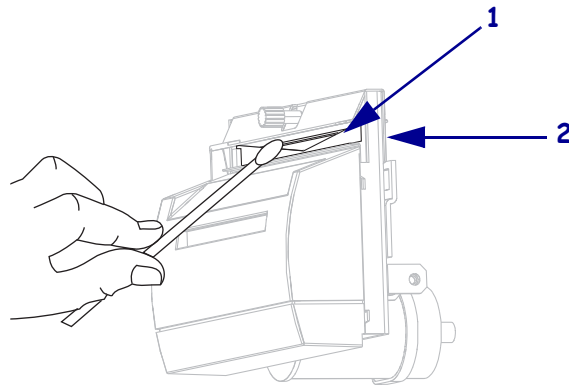


3. To expose the V-shaped cutter blade, turn the cutter motor thumbscrew (1) counterclockwise to lower the blade.



4. See [Figure 17](#). Using the swab from the Preventive Maintenance Kit (part number 47362), wipe along the upper cutting surface (1) and the cutter blade (2). In place of the Preventive Maintenance Kit, you may use a clean swab dipped in a solution of isopropyl alcohol (minimum 90%) and deionized water (maximum 10%). Allow the solvent to evaporate.

Figure 17 • Cleaning the Cutter Module



5. Replace the cutter shield.
6. Plug the printer into its power source, and then turn on (I) the printer.
 The lower cutter blade returns to its correct operating position.
7. If the cutter continues to perform unsatisfactorily, contact an authorized service technician.

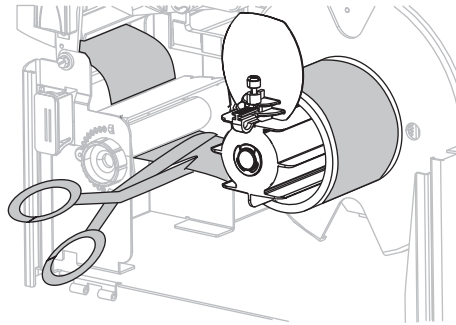
Routine Maintenance for the Rewind Option

When you use the Rewind option, you will periodically need to remove printed labels or used liner from the rewind spindle. You may also need to adjust the media alignment for the Rewind option.

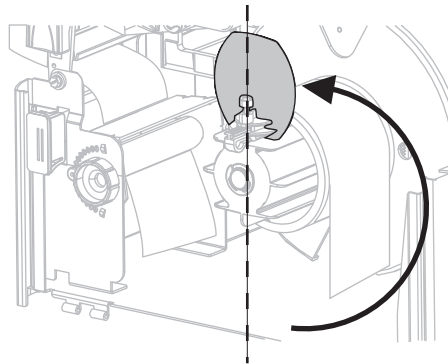
Remove Printed Labels or Liner from the Rewind Spindle

To remove printed labels or liner from the rewind spindle, complete these steps:

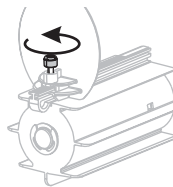
1. Cut the liner between the media alignment spindle and the rewind spindle.



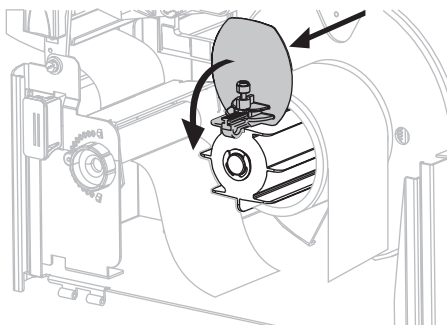
2. Rotate the take-up spindle counterclockwise until the rewind media guide is fully upright.



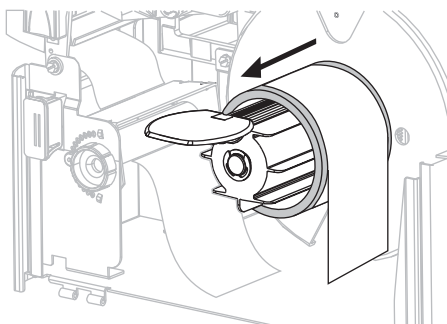
3. Loosen the thumbscrew on the rewind media guide.



4. Slide the rewind media guide all the way out, and then fold it down.



5. Slide the core with the liner from the take-up spindle.



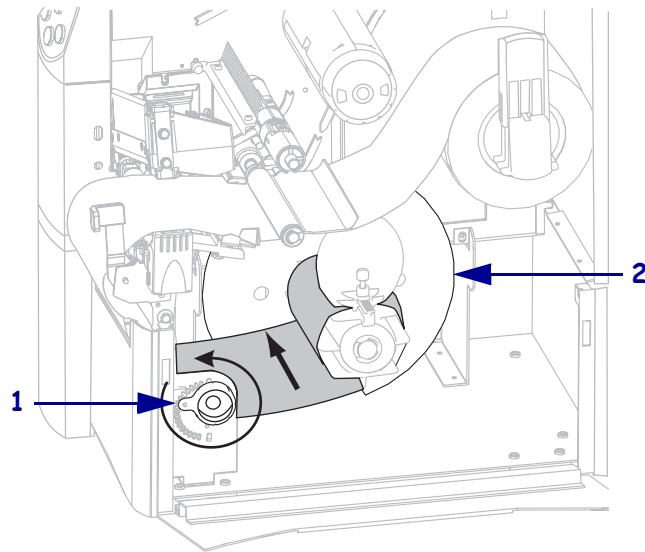
Adjust Media Alignment for Rewind Option

The instructions below apply only if the printer has a Rewind option. The liner should be installed flush against the backplate of the rewind spindle to prevent the media/backing from winding too loosely.

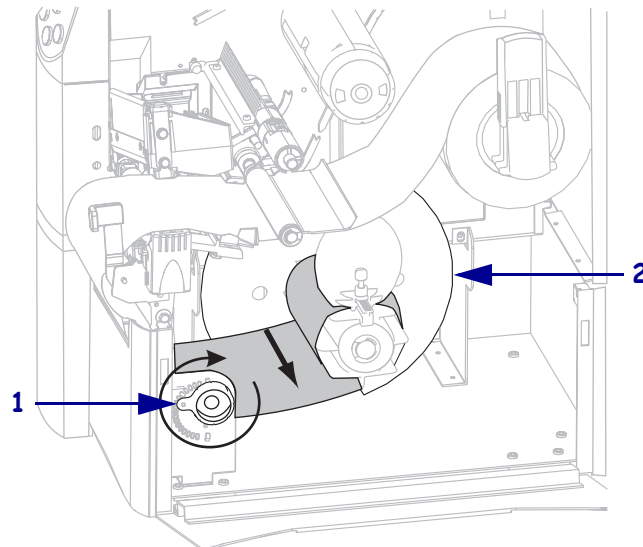
Perform the adjustments in the order given. Do only what is needed to solve the problem.

To adjust the media alignment for printers with the Rewind option, complete these steps:

1. Turn the adjustment dial **(1)** clockwise to move the media toward the backplate **(2)**.



2. Turn the adjustment dial **(1)** counter clockwise to move the media away from the backplate **(2)**.





Troubleshooting

This section provides information about errors that you might need to troubleshoot. Assorted diagnostic tests are included.

Contents

Troubleshooting Checklists	112
LCD Error Messages	113
Print Quality Problems	117
Calibration Problems	120
Communications Problems	121
Ribbon Problems	122
RFID Problems	123
Miscellaneous Printer Problems	126
Printer Diagnostics	129
Power-On Self Test	129
CANCEL Self Test	130
PAUSE Self Test	131
FEED Self Test	132
FEED and PAUSE Self Test	135
Communications Diagnostics Test	136
Sensor Profile	137

Troubleshooting Checklists

If an error condition exists with the printer, review this checklist:

- Are noncontinuous labels being treated as continuous labels? If yes, see [Calibrate Media and Ribbon Sensor Sensitivity on page 85](#).
- Is the printer reporting a ribbon error when ribbon is loaded properly? If yes, see [Calibrate Media and Ribbon Sensor Sensitivity on page 85](#).
- Are you experiencing problems with print quality? If yes, see [Print Quality Problems on page 117](#).
- Are you experiencing communications problems? If yes, see [Communications Problems on page 121](#).

If the labels are not printing or advancing correctly, review this checklist:

- Are you using the correct type of labels? Review the types of label in [Types of Media on page 34](#).
- Are you using a label that is narrower than the maximum print width? See [Set Print Width on page 77](#).
- Review the label- and ribbon-loading illustrations in [Load Media on page 43](#) and [Load Ribbon on page 58](#).
- Does the printhead need to be adjusted? See [Adjust Printhead Pressure on page 64](#) for more information.
- Do the sensors need to be calibrated? See [Calibrate Media and Ribbon Sensor Sensitivity on page 85](#) for more information.

If none of the above suggestions correct the problem, review this checklist:

- Perform one or more of the self-tests given in [Printer Diagnostics on page 129](#). Use the results to help identify the problem.
- If you are still having problems, see [Contacts on page 11](#) for customer support information.

LCD Error Messages

The LCD displays messages when there is an error. See [Table 14](#) for LCD errors, the possible causes, and the recommended solutions.

Table 14 • LCD Error Messages

LCD Display/ Printer Condition	Possible Cause	Recommended Solution
<div style="border: 1px solid black; padding: 5px; text-align: center;"> ERROR CONDITION INVALID HEAD </div> <p>The ERROR light flashes.</p>	The printhead was replaced with one that is not a genuine Zebra™ printhead.	Install a genuine Zebra™ printhead.
<div style="border: 1px solid black; padding: 5px; text-align: center;"> ERROR CONDITION RIBBON OUT </div> <p>The printer stops; the ERROR light flashes.</p>	In thermal transfer mode, ribbon is not loaded or incorrectly loaded.	Load ribbon correctly. See Load Ribbon on page 58 .
	In thermal transfer mode, the ribbon sensor is not detecting ribbon.	<ol style="list-style-type: none"> Load ribbon correctly. See Load Ribbon on page 58. Calibrate the sensors. See Calibrate Media and Ribbon Sensor Sensitivity on page 85.
	In thermal transfer mode, media is blocking the ribbon sensor.	<ol style="list-style-type: none"> Load media correctly. See Load Media on page 43. Calibrate the sensors. See Calibrate Media and Ribbon Sensor Sensitivity on page 85.
	In thermal transfer mode, the printer did not detect the ribbon even though it is loaded correctly.	<ol style="list-style-type: none"> Print a sensor profile. See Print Sensor Profile on page 84. The ribbon out threshold (1) is likely too high, above the black area that indicates where the ribbon is detected (2). <div style="text-align: center;"> </div> <ol style="list-style-type: none"> Calibrate the sensors or load printer defaults. See Calibrate Media and Ribbon Sensor Sensitivity on page 85 or LOAD DEFAULTS on page 69.

Table 14 • LCD Error Messages (Continued)


LCD Display/ Printer Condition	Possible Cause	Recommended Solution	
<div style="border: 1px solid black; padding: 5px; text-align: center;"> WARNING RIBBON IN </div> <p>The RIBBON light is on; the ERROR light flashes. The ERROR light flashes.</p>	Ribbon is loaded, but the printer is set for direct thermal mode.	Ribbon is not required with direct thermal media. If you are using direct thermal media, remove the ribbon. This error message will not affect printing.	
		If you are using thermal transfer media, which requires ribbon, set the printer for Thermal Transfer mode. See <i>Select Print Method</i> on page 77.	
<div style="border: 1px solid black; padding: 5px; text-align: center;"> ERROR CONDITION PAPER OUT </div> <p>The printer stops; the ERROR light flashes.</p>	The media is not loaded or is loaded incorrectly.	Load media correctly. See <i>Load Media</i> on page 43.	
	Misaligned media sensor.	Check position of the media sensor.	
	The printer is set for noncontinuous media, but continuous media is loaded.	Install proper media type, or reset printer for current media type and perform calibration.	
<div style="border: 1px solid black; padding: 5px; text-align: center;"> ERROR CONDITION HEAD OPEN </div> <p>The printer stops; the ERROR light flashes.</p>	The printhead is not fully closed.	Close printhead completely.	
	The head open sensor is not working properly.	Call a service technician.	
<div style="border: 1px solid black; padding: 5px; text-align: center;"> THERMISTOR FAULT </div> <p>The ERROR light flashes.</p>	The printhead has a faulty thermistor.	Call a service technician.	
<div style="border: 1px solid black; padding: 5px; text-align: center;"> WARNING HEAD COLD </div>	 <p>Caution • An improperly connected printhead data or power cable can cause these error messages. The printhead may be hot enough to cause severe burns. Allow the printhead to cool.</p>	<p>Caution • Turn off (O) the printer before performing this procedure. Failure to do so can damage the printhead.</p> <ol style="list-style-type: none"> 1. Turn off (O) the printer. 2. Disconnect and reconnect the data cable to the printhead. 3. Ensure that the cable connector is fully inserted into the printhead connector. 4. Turn on (I) the printer. 	
<div style="border: 1px solid black; padding: 5px; text-align: center;"> THERMISTOR FAULT </div>			The printhead data cable is not properly connected.
<div style="border: 1px solid black; padding: 5px; text-align: center;"> ERROR CONDITION HEAD ELEMENT BAD </div> <p>The printer stops; the ERROR light is on; the printer cycles through these three messages.</p>			
	The printhead has a faulty thermistor.	Call a service technician.	

Table 14 • LCD Error Messages (Continued)




LCD Display/ Printer Condition	Possible Cause	Recommended Solution
<div style="border: 2px solid black; padding: 5px; text-align: center;"> WARNING HEAD COLD </div> <p>The printer prints while the ERROR light flashes.</p>	 <p>Caution • An improperly connected printhead data or power cable can cause this error message. The printhead may be hot enough to cause severe burns. Allow the printhead to cool.</p>	
	<p>The printhead temperature is approaching its lower operating limit.</p>	<p>Continue printing while the printhead reaches the correct operating temperature. If the error remains, the environment may be too cold for proper printing. Relocate the printer to a warmer area.</p>
	<p>The printhead data cable is not properly connected.</p>	<p>Caution • Turn off (O) the printer before performing this procedure. Failure to do so can damage the printhead.</p> <ol style="list-style-type: none"> 1. Turn off (O) the printer. 2. Disconnect and reconnect the data cable to the printhead. 3. Ensure that the cable connector is fully inserted into the printhead connector. 4. Turn on (I) the printer.
	<p>The printhead has a faulty thermistor.</p>	<p>Call a service technician.</p>
<div style="border: 2px solid black; padding: 5px; text-align: center;"> WARNING HEAD TOO HOT </div> <p>The printer stops; the ERROR light flashes.</p>	 <p>Caution • The printhead may be hot enough to cause severe burns. Allow the printhead to cool.</p>	
	<p>The printhead is over temperature.</p>	<p>Allow the printer to cool. Printing automatically resumes when the printhead elements cool to an acceptable operating temperature.</p>

Table 14 • LCD Error Messages (Continued)

LCD Display/ Printer Condition	Possible Cause	Recommended Solution
<div style="border: 1px solid black; padding: 5px; text-align: center; font-weight: bold;">DEFRAGMENTING</div> <p>The printer stops.</p>	<p>The printer is defragmenting memory.</p>	<p>Caution • Do NOT turn off the printer power during defragmenting. Doing so can damage the printer.</p> <p>Allow the printer to finish defragmenting. If you get this error message frequently, check your label formats. Formats that write to and erase memory frequently may cause the printer to defragment often. Using properly coded label formats usually minimizes the need for defragmenting. If this error message does not go away, contact Technical Support. The printer requires service.</p>
<div style="border: 1px solid black; padding: 5px; text-align: center; font-weight: bold;">ERROR CONDITION CUTTER JAM</div> <p>The printer stops; the ERROR light flashes.</p>	<p> Caution • The cutter blade is sharp. Do not touch or rub the blade with your fingers.</p> <p>The cutter blade is in the media path.</p>	<p>Turn off the printer power and unplug the printer. Inspect the cutter module for debris and clean as needed following the cleaning instructions in <i>Clean the Cutter Module</i> on page 106.</p>
<div style="border: 1px solid black; padding: 5px; text-align: center; font-weight: bold;">OUT OF MEMORY (function)</div>	<p>There is not enough memory to perform the function specified on the second line of the error message.</p>	<p>Free up some of the printer's memory by adjusting the label format or printer parameters. One way to free up memory is to adjust the print width to the actual width of the label instead of leaving the print width set to the default. See <i>Set Print Width</i> on page 77.</p> <p>Ensure that the data is not directed to a device that is not installed or is unavailable.</p> <p>Refer to the <i>Maintenance Manual</i> for more information about the specified function.</p>

Print Quality Problems

Table 15 identifies problems with print quality, the possible causes, and the recommended solutions.


Table 15 • Print Quality Problems

Problem	Possible Cause	Recommended Solution
General print quality issues	The printer is set at the incorrect print speed.	For optimal print quality, set the print speed to the lowest possible setting for your application via control panel, the driver, or the software. See Adjust Print Speed on page 74 . You may want to perform the FEED Self Test on page 132 .
	You are using an incorrect combination of labels and ribbon for your application.	<ol style="list-style-type: none"> 1. Switch to a different type of media or ribbon to try to find a compatible combination. 2. If necessary, consult your authorized Zebra reseller or distributor for information and advice.
	The printer is set at an incorrect darkness level.	For optimal print quality, set the darkness to the lowest possible setting for your application via the control panel, the driver, or the software. See Adjust Print Darkness on page 73 . You may want to perform the FEED Self Test on page 132 to determine the ideal darkness setting.
	The printhead is dirty.	Clean the printhead. See Clean the Printhead and Platen Roller on page 102 .
	Incorrect or uneven printhead pressure.	Set the printhead pressure to the minimum needed for good print quality. See Adjust Printhead Pressure on page 64 .
	The printhead is improperly balanced.	Call a service technician.
Long tracks of missing print on several labels	Print element damaged.	Call a service technician.

Table 15 • Print Quality Problems (Continued)

Problem	Possible Cause	Recommended Solution
Wrinkled ribbon	Ribbon was fed through the ribbon system incorrectly.	Load the ribbon correctly. See Load Ribbon on page 58 .
	Incorrect burn temperature.	Set the darkness to the lowest possible setting for good print quality. See Adjust Print Darkness on page 73 .
	Incorrect or uneven printhead pressure.	Set the printhead pressure to the minimum needed for good print quality. See Adjust Printhead Pressure on page 64 .
	Media not feeding properly; “walking” from side to side.	Make sure that media is snug by adjusting the media guide, or call a service technician.
	The strip plate needs adjusting.	Call a service technician.
	The printhead needs vertical adjustment.	Call a service technician.
	The printhead is improperly balanced.	Call a service technician.
	The printhead and platen roller need to be realigned.	Call a service technician.
Printing too light or too dark over the entire label	The media or ribbon is not designed for high-speed operation.	Replace supplies with those recommended for high-speed operation.
	You are using an incorrect combination of media and ribbon for your application.	<ol style="list-style-type: none"> 1. Switch to a different type of media or ribbon to try to find a compatible combination. 2. If necessary, consult your authorized Zebra reseller or distributor for information and advice.
	You are using ribbon with direct thermal media.	Direct thermal media does not require ribbon. To check if you are using direct thermal media, perform the label scratch test in When to Use Ribbon on page 36 .
	Incorrect or uneven printhead pressure.	Set the pressure to the minimum needed. See Adjust Printhead Pressure on page 64 .
Smudge marks on labels	The media or ribbon is not designed for high-speed operation.	Replace supplies with those recommended for high-speed operation.
Misregistration/skips labels	The printer is not calibrated.	Recalibrate the printer.
	Improper label format.	Use correct label format.
Misregistration and misprint of one to three labels	The platen roller is dirty.	See Clean the Printhead and Platen Roller on page 102 .
	Media does not meet specifications.	Use media that meets specifications.

Table 15 • Print Quality Problems (Continued)

Problem	Possible Cause	Recommended Solution
Vertical drift in top-of-form position	The printer is out of calibration.	Calibrate the printer. See Calibrate Media and Ribbon Sensor Sensitivity on page 85.
	Vertical drift occurs during normal printer operation.  Note • A vertical drift of ± 4 to 6 dot rows (approximately 0.5 mm) is within normal tolerances.	Calibrate the printer. See Calibrate Media and Ribbon Sensor Sensitivity on page 85.
	The platen roller is dirty.	Clean the platen roller. See Clean the Printhead and Platen Roller on page 102.
Vertical image or label drift	The printer is using non-continuous labels but is configured in continuous mode.	Configure the printer for non-continuous and run calibration routine, if necessary.
	The media sensor is positioned incorrectly.	Ensure that the media sensor is properly positioned to read a single/consistent interlabel gap.
	The media sensor is calibrated improperly.	See Calibrate Media and Ribbon Sensor Sensitivity on page 85.
	The platen roller is dirty.	Clean the platen roller. See Clean the Printhead and Platen Roller on page 102.
	Improper printhead pressure settings (toggles).	Adjust the printhead pressure to ensure proper functionality.
	Improperly loaded ribbon or media.	Verify that the printer is loaded properly.
	Incompatible media.	Ensure that the interlabel gaps or notches are 2 to 4 mm and consistently placed. Media must not exceed minimum specifications for mode of operation.
The bar code printed on a label does not scan.	The bar code is not within specifications because the print is too light or too dark.	Perform the FEED Self Test on page 132. Adjust the darkness or print speed settings as necessary.
	Not enough blank space around the bar code.	Leave at least 1/8 in. (3.2 mm) between the bar code and other printed areas on the label and between the bar code and the edge of the label.

Calibration Problems

Table 16 identifies problems with calibration, the possible causes, and the recommended solutions.

Table 16 • Calibration Problems

Problem	Possible Cause	Recommended Solution
Loss of printing registration on labels. Excessive vertical drift in top-of-form registration.	The platen roller is dirty.	Clean the platen roller according to the instructions in <i>Clean the Printhead and Platen Roller</i> on page 102.
	Media guides are positioned improperly.	Ensure that the media guides are properly positioned.
	The media type is set incorrectly.	Set the printer for the correct media type (gap/notch, continuous, or mark). See <i>Set Media Type</i> on page 76.
	The media is loaded incorrectly.	Load media correctly. See <i>Load Media</i> on page 43.
Auto Calibrate failed.	Media or ribbon is loaded incorrectly.	Ensure that media and ribbon are loaded correctly.
	The sensors could not detect the media or ribbon.	Manually calibrate the printer. See <i>Calibrate Media and Ribbon Sensor Sensitivity</i> on page 85.
	The sensors are dirty or positioned improperly. The sensors are dirty, or media is positioned improperly for the sensors to detect.	Ensure that the sensors are clean and that media is positioned properly.
	The media type is set incorrectly.	Set the printer for the correct media type (gap/notch, continuous, or mark). See <i>Set Media Type</i> on page 76.

Communications Problems

Table 17 identifies problems with communications, the possible causes, and the recommended solutions.

Table 17 • Communications Problems

Problem	Possible Cause	Recommended Solution
A label format was sent to the printer but was not recognized. The DATA light does not flash.	The communication parameters are incorrect.	Check the printer driver or software communications settings (if applicable).
		If you are using serial communication, check the serial port setting in the control panel menu. See Set Serial Communications on page 87 .
		If you are using serial communication, make sure that you are using a null modem cable or a null modem adapter.
		Using the control panel menu, check the protocol setting. It should be set to NONE . See Set Protocol on page 89 .
		If a driver is used, check the driver communication settings for your connection.
A label format was sent to the printer. Several labels print, then the printer skips, misplaces, misses, or distorts the image on the label.	The serial communication settings are incorrect.	Ensure that the flow control settings match.
		Check the communication cable length. See Table 5 on page 27 for requirements.
		Check the printer driver or software communications settings (if applicable).
A label format was sent to the printer but was not recognized. The DATA light flashes but no printing occurs.	The prefix and delimiter characters set in the printer do not match the ones in the label format.	Verify the prefix and delimiter characters. See Set Format Prefix Character on page 90 and Set Delimiter Character on page 91 for the requirements.
	Incorrect data is being sent to the printer.	Check the communication settings on the computer. Ensure that they match the printer settings. If the problem continues, check the label format.

Ribbon Problems

Table 18 identifies problems that may occur with ribbon, the possible causes, and the recommended solutions.

Table 18 • Ribbon Problems

Problem	Possible Cause	Recommended Solution
Broken or melted ribbon	Darkness setting too high.	<ol style="list-style-type: none"> 1. Reduce the darkness setting. 2. Clean the printhead thoroughly.
	The ribbon is coated on the wrong side and cannot be used in this printer.	Replace the ribbon with one coated on the correct side. For more information, see <i>Coated Side of Ribbon</i> on page 36.
The printer does not detect when the ribbon runs out.	The printer was calibrated without ribbon. Later, ribbon was inserted without the user recalibrating the printer or loading printer defaults.	Calibrate the printer, this time using ribbon, or load printer defaults. See <i>Calibrate Media and Ribbon Sensor Sensitivity</i> on page 85.
In thermal transfer mode, the printer did not detect the ribbon even though it is loaded correctly.		
The ribbon light is on even though ribbon is loaded correctly.	The printer was not calibrated for the label and ribbon being used.	Perform the calibration procedure in <i>Calibrate Media and Ribbon Sensor Sensitivity</i> on page 85.

RFID Problems

Table 19 identifies problems that may occur with RFID printers, the possible causes, and the recommended solutions. For more information about RFID, refer to the *RFID Programming Guide*. A copy of the manual is available at <http://www.zebra.com/manuals> or on the user CD that came with your printer.

Table 19 • RFID Problems

Problem	Possible Cause	Recommended Solution
The RFID-enabled printer voids every label.	The printer is not calibrated for the media being used.	Manually calibrate the printer (see <i>Calibrate Media and Ribbon Sensor Sensitivity</i> on page 85)
	The printer is unable to communicate with the RFID reader.	<ol style="list-style-type: none"> 1. Turn off (O) the printer. 2. Wait 10 seconds. 3. Turn on (I) the printer. 4. If the problem persists, you may have a bad RFID reader or a loose connection between the RFID reader and the printer. Contact Technical Support or an authorized Zebra RFID service technician for assistance.
	The printer is unable to communicate with the encoding module.	<ol style="list-style-type: none"> 1. Turn off (O) the printer. 2. Wait 10 seconds. 3. Turn on (I) the printer. 4. If the problem persists, you may have a bad encoding module or a loose connection between the encoding module and the printer. Contact Technical Support or an authorized Zebra RFID service technician for assistance.
	Radio frequency (RF) interference from another RF source.	Do one or more of the following as necessary: <ul style="list-style-type: none"> • Move the printer away from fixed RFID readers or other RF sources. • Make sure that the media door is closed at all times during RFID programming.
	The settings are incorrect in your label designer software.	The software settings override the printer settings. Make sure that the software and printer settings match.
<i>(Continued on next page.)</i>		

Table 19 • RFID Problems (Continued)

Problem	Possible Cause	Recommended Solution
The RFID-enabled printer voids every label.	<i>(Continued from previous page.)</i>	
	You are using an incorrect programming position, particularly if the tags being used are within printer specifications.	Do one or more of the following as necessary: <ul style="list-style-type: none"> • Check the RFID programming position, or the program position setting in your label designer software. If the position is incorrect, change the setting. • Restore the RFID programming position back to the default value.
	You are sending RFID ZPL or SGD commands that are incorrect.	Check your label formats.
Low yields. Too many RFID tags per roll are voided.	The RFID labels are not within specifications for the printer, which means that the transponder is not in an area that can be programmed consistently.	Make sure that the labels meet transponder placement specifications for your printer. See http://www.zebra.com/transponders for transponder placement information. Refer to the <i>RFID Programming Guide</i> or contact an authorized Zebra RFID reseller for more information.
	Some RFID tags are more sensitive than others and may require special printer settings.	<ol style="list-style-type: none"> 1. Verify that the printer is set for the correct write power. See http://www.zebra.com/transponders for the recommended power setting for each tag type. 2. If necessary, run the ^HR command to manually calibrate the transponder position. 3. If the problem persists, consider using a different tag type. Refer to the <i>RFID Programming Guide</i> or contact an authorized Zebra RFID reseller for more information.
	Incorrect read and write power levels for the RFID tag type.	Change the RFID read and write power levels. Refer to the <i>RFID Programming Guide</i> for instructions.
	Radio frequency (RF) interference from another RF source.	Do one or more of the following as necessary: <ul style="list-style-type: none"> • Move the printer away from fixed RFID readers. • Make sure that the media door is closed at all times during RFID programming.
	The printer is using outdated printer firmware and reader firmware versions.	Go to http://www.zebra.com/firmware for updated firmware.

Table 19 • RFID Problems (Continued)

Problem	Possible Cause	Recommended Solution
The printer stops at the RFID inlay.	The printer calibrated the label length only to the RFID inlay instead of to the interlabel gap.	<ol style="list-style-type: none"> 1. Select FEED for the MEDIA POWER UP and HEAD CLOSE parameters (see <i>Select Media Power-Up Option on page 92</i> or <i>Select Head Close Option on page 92</i>). 2. Manually calibrate the printer (see <i>Calibrate Media and Ribbon Sensor Sensitivity on page 85</i>)
The DATA light flashes indefinitely after you attempt to download printer or reader firmware.	The download was not successful. For best results, cycle power on the printer before downloading any firmware.	<ol style="list-style-type: none"> 1. Turn off (O) the printer. 2. Wait 10 seconds. 3. Turn on (I) the printer. 4. Attempt to download the firmware again. 5. If the problem persists, contact Technical Support.
RFID parameters do not appear in Setup mode, and RFID information does not appear on the printer configuration label.	The printer was powered off (O) and then back on (I) too quickly for the RFID reader to initialize properly.	<p>Wait at least 10 seconds after turning the printer power off before turning it back on.</p> <ol style="list-style-type: none"> 1. Turn off (O) the printer. 2. Wait 10 seconds. 3. Turn on (I) the printer. 4. Check for the RFID parameters in Setup mode or for RFID information on a new configuration label.
The printer does not void RFID labels that are not programmed correctly.	An incorrect version of printer or reader firmware was loaded on the printer.	<ol style="list-style-type: none"> 1. Verify that the correct firmware version is loaded on your printer. See <i>Printer Language Modes on page 22</i>, or refer to the <i>RFID Programming Guide</i> for more information. 2. Download the correct printer or reader firmware if necessary. 3. If the problem persists, contact Technical Support.
	The printer is unable to communicate with the RFID subsystem.	<ol style="list-style-type: none"> 1. Turn off (O) the printer. 2. Wait 10 seconds. 3. Turn on (I) the printer. 4. If the problem persists, you may have a bad RFID reader or a loose connection between the RFID reader and the printer. Contact Technical Support or an authorized service technician for assistance.
	The printer is RFID-ready, but no reader is installed.	Contact an authorized Zebra RFID reseller to acquire a reader for your printer.

Miscellaneous Printer Problems

Table 20 identifies miscellaneous problems with the printer, the possible causes, and the recommended solutions.

Table 20 • Miscellaneous Printer Problems

Problem	Possible Cause	Recommended Solution
<p>The LCD displays a language that I cannot read</p>	<p>The language parameter was changed through the control panel or a firmware command.</p>	<ol style="list-style-type: none"> 1. Press SETUP/EXIT to enter configuration mode. 2. Press MINUS (-). The printer displays the LANGUAGE parameter in the current language. Even if you cannot recognize the characters displayed, you can still scroll to another language. 3. Press SELECT to select the parameter. 4. Press PLUS (+) or MINUS (-) to scroll through the choices until you find a language that you can read. 5. Press SETUP/EXIT. The LCD displays SAVE CHANGES in the original language. 6. Press SETUP/EXIT again to exit configuration mode and save the changes (if the language does not change, you may need to scroll to a different save option by pressing PLUS (+) or MINUS (-) in the previous step). 7. Repeat this process, if necessary, until you reach the desired language.
<p>The LCD is missing characters or parts of characters</p>	<p>The LCD may need replacing.</p>	<p>Call a service technician.</p>

Table 20 • Miscellaneous Printer Problems (Continued)

Problem	Possible Cause	Recommended Solution
Changes in parameter settings did not take effect	Parameters are set incorrectly.	<ol style="list-style-type: none"> 1. Set parameters and save permanently. 2. Turn the printer off (O) and then on (I).
	A firmware command turned off the ability to change the parameter.	Refer to the <i>Programming Guide</i> for the printer language being used, or call a service technician.
	A firmware command changed the parameter back to the previous setting.	Refer to the <i>Programming Guide</i> for the printer language being used, or call a service technician.
	If the problem continues, there may be a problem with the main logic board.	Call a service technician.
While in Peel-Off mode, media liner wraps around the platen roller.	You are using perforated media, which is not recommended for Peel-Off mode.	While operating in Peel-Off mode, use media that is not perforated.
The printer fails to calibrate or detect the top of the label.	The printer was not calibrated for the label being used.	Perform the calibration procedure in <i>Calibrate Media and Ribbon Sensor Sensitivity</i> on page 85.
	The printer is configured for continuous media.	Set the media type to noncontinuous media. See <i>Set Media Type</i> on page 76.
	The driver or software configuration is not set correctly.	Driver or software settings produce commands that can overwrite the printer configuration. Check the driver or software media-related setting.
Non-continuous labels are being treated as continuous labels.	The printer was not calibrated for the media being used.	Perform the calibration procedure in <i>Calibrate Media and Ribbon Sensor Sensitivity</i> on page 85.
	The printer is configured for continuous media.	Set the media type to noncontinuous media. See <i>Set Media Type</i> on page 76.
All lights are on, but nothing displays on the LCD, and the printer locks up.	Internal electronic or firmware failure.	Call a service technician.

Table 20 • Miscellaneous Printer Problems (Continued)

Problem	Possible Cause	Recommended Solution
The printer locks up while running the Power-On Self Test.	Main logic board failure.	Call a service technician.
The printer prints VOID on every label that I try to print.	The printer is set for RFID operation, but you are not using RFID labels.	Switch to RFID labels, or remove the RFID commands from your label formats.

Printer Diagnostics

Self tests and other diagnostics provide specific information about the condition of the printer. The self tests produce sample printouts and provide specific information that helps determine the operating conditions for the printer. The most commonly used are the Power-On and the CANCEL self tests.



Important • Use full-width media when performing self tests. If your media is not wide enough, the test labels may print on the platen roller. To prevent this from happening, check the print width using [Set Print Width on page 77](#), and ensure that the width is correct for the media that you are using.

Each self test is enabled by pressing a specific control panel key or combination of keys while turning on (I) the printer power. Keep the key(s) pressed until the first indicator light turns off. The selected self test automatically starts at the end of the Power-On Self Test.



Note •

- When performing these self tests, do not send data to the printer from the host.
- If your media is shorter than the label to be printed, the test label continues on the next label.
- When canceling a self test prior to its actual completion, always reset the printer by turning it off (O) and then on (I).

Power-On Self Test

A Power-On Self Test (POST) is performed each time the printer is turned on (I). During this test, the control panel lights (LEDs) turn on and off to ensure proper operation. At the end of this self test, only the POWER LED remains lit. When the Power-On Self Test is complete, the media is advanced to the proper position.

To initiate the Power-On Self Test, complete these steps:

1. Turn on (I) the printer.

The POWER LED illuminates. The other control panel LEDs and the LCD monitor the progress and indicate the results of the individual tests. All messages during the POST display in English; however, if the test fails, the resulting messages cycle through the international languages as well.

CANCEL Self Test

The CANCEL self test prints a configuration label (Figure 18).

To perform the CANCEL Self Test, complete these steps:

1. Turn off (O) the printer.
 2. Press and hold CANCEL while turning on (I) the printer. Hold CANCEL until the first control panel light turns off.
- A printer configuration label prints (Figure 18).

Figure 18 • Sample Configuration Label

Z Series		RZ Series	
PRINTER CONFIGURATION		PRINTER CONFIGURATION	
Zebra Technologies ZTC Z1400-300dpi ZPL ZBR2836549		Zebra Technologies ZTC R2400-200dpi ZPL ZBR2279583	
+10.....	DARKNESS	+10.....	DARKNESS
2 IPS.....	PRINT SPEED	2 IPS.....	PRINT SPEED
+000.....	TEAR OFF	+000.....	TEAR OFF
TEAR OFF.....	PRINT MODE	RFID MODE.....	PRINT MODE
CONTINUOUS.....	MEDIA TYPE	CONTINUOUS.....	MEDIA TYPE
TRANSMISSIVE.....	SENSOR SELECT	TRANSMISSIVE.....	SENSOR SELECT
THERMAL-TRANS.....	PRINT METHOD	THERMAL-TRANS.....	PRINT METHOD
500.....	PRINT WIDTH	500.....	PRINT WIDTH
39.0IN 98MM.....	MAXIMUM LENGTH	1800.....	LABEL LENGTH
2000.....	LABEL LENGTH	39.0IN 98MM.....	MAXIMUM LENGTH
39.0IN 98MM.....	MAXIMUM LENGTH	MAINT. OFF.....	EARLY WARNING
MAINT. OFF.....	EARLY WARNING	NOT CONNECTED.....	USB COMM.
NOT CONNECTED.....	USB COMM.	BIDIRECTIONAL.....	PARALLEL COMM.
BIDIRECTIONAL.....	PARALLEL COMM.	RS232.....	SERIAL COMM.
RS232.....	SERIAL COMM.	115200.....	BAUD
9600.....	BAUD	8 BITS.....	DATA BITS
8 BITS.....	DATA BITS	NONE.....	PARITY
NONE.....	PARITY	XON/XOFF.....	HOST HANDSHAKE
XON/XOFF.....	HOST HANDSHAKE	NONE.....	PROTOCOL
NONE.....	PROTOCOL	000.....	NETWORK ID
000.....	NETWORK ID	NORMAL MODE.....	COMMUNICATIONS
NORMAL MODE.....	COMMUNICATIONS	<<> 7EH.....	CONTROL PREFIX
<<> 7EH.....	CONTROL PREFIX	<<> 5EH.....	FORMAT PREFIX
<<> 5EH.....	FORMAT PREFIX	<<> 2CH.....	DELIMITER CHAR
<<> 2CH.....	DELIMITER CHAR	ZPL II.....	ZPL MODE
ZPL II.....	ZPL MODE	CALIBRATION.....	MEDIA POWER UP
CALIBRATION.....	MEDIA POWER UP	CALIBRATION.....	HEAD CLOSE
CALIBRATION.....	HEAD CLOSE	DEFAULT.....	BACKFEED
DEFAULT.....	BACKFEED	+000.....	LABEL TOP
+000.....	LABEL TOP	+0000.....	LEFT POSITION
+0000.....	LEFT POSITION	DISABLED.....	REPRINT MODE
DISABLED.....	REPRINT MODE	069.....	WEB S.
069.....	WEB S.	069.....	MEDIA S.
069.....	MEDIA S.	071.....	RIBBON S.
071.....	RIBBON S.	100.....	TAKE LABEL
100.....	TAKE LABEL	050.....	MARK S.
050.....	MARK S.	002.....	TRANS GAIN
002.....	TRANS GAIN	033.....	TRANS BASE
033.....	TRANS BASE	176.....	TRANS BRIGHT
176.....	TRANS BRIGHT	216.....	RIBBON GAIN
216.....	RIBBON GAIN	013.....	MARK GAIN
013.....	MARK GAIN	DPSWFXM.....	MODES ENABLED
DPSWFXM.....	MODES ENABLED	832 8/MM FULL.....	MODES DISABLED
832 8/MM FULL.....	MODES DISABLED	RS3.16.1Z <-.....	RESOLUTION
RS3.16.1Z <-.....	RESOLUTION	1.2.....	FIRMWARE
1.2.....	FIRMWARE	V37.....	XML SCHEMA
V37.....	XML SCHEMA	38.....	HARDWARE ID
38.....	HARDWARE ID	CUSTOMIZED.....	CONFIGURATION
CUSTOMIZED.....	CONFIGURATION	1100bk.....	RAM
1100bk.....	RAM	5332k.....	ONBOARD FLASH
5332k.....	ONBOARD FLASH	NONE.....	FORMAT CONVERT
NONE.....	FORMAT CONVERT	FW VERSION.....	IDLE DISPLAY
FW VERSION.....	IDLE DISPLAY	11/01/07.....	RTC DATE
11/01/07.....	RTC DATE	16:50.....	RTC TIME
16:50.....	RTC TIME	DISABLED.....	ZBI
DISABLED.....	ZBI	2.0.....	ZBI VERSION
2.0.....	ZBI VERSION	600.....	RFID VALID CTR
600.....	RFID VALID CTR	172.....	RFID VOID CTR
172.....	RFID VOID CTR	2.....	RFID READ PWR
2.....	RFID READ PWR	NO TAG FOUND.....	RFID WRITE PWR
NO TAG FOUND.....	RFID WRITE PWR	Gen2.....	RFID ERR STATUS
Gen2.....	RFID ERR STATUS	0000009.....	RFID TAG TYPE
0000009.....	RFID TAG TYPE	TM: 20080415.....	RFID HW VERSION
TM: 20080415.....	RFID HW VERSION	0132.....	RFID FW VERSION
0132.....	RFID FW VERSION	6:217 IN.....	PROG. POSITION
6:217 IN.....	PROG. POSITION	6:217 IN.....	NONRESET CNTR
6:217 IN.....	NONRESET CNTR	6:217 IN.....	RESET CNTR1
6:217 IN.....	RESET CNTR1	6:217 IN.....	RESET CNTR2
6:217 IN.....	RESET CNTR2	15.790 CM.....	NONRESET CNTR
15.790 CM.....	NONRESET CNTR	15.790 CM.....	RESET CNTR1
15.790 CM.....	RESET CNTR1	15.790 CM.....	RESET CNTR2
15.790 CM.....	RESET CNTR2	SELECTED ITEMS.....	PASSWORD LEVEL
SELECTED ITEMS.....	PASSWORD LEVEL	MM 13186.07TE0050110.79400-001.J.VH1	
MM 13186.07TE0050110.79400-001.J.VH1			

FIRMWARE IN THIS PRINTER IS COPYRIGHTED

FIRMWARE IN THIS PRINTER IS COPYRIGHTED

PAUSE Self Test

This self test can be used to provide the test labels required when making adjustments to the printer's mechanical assemblies or to determine if any printhead elements are not working. [Figure 19](#) shows a sample printout.

To perform a PAUSE self test, complete these steps:

1. Turn off (O) the printer.
2. Press and hold PAUSE while turning on (I) the printer. Hold PAUSE until the first control panel light turns off.
 - The initial self test prints 15 labels at the printer's slowest speed, and then automatically pauses the printer. Each time PAUSE is pressed, an additional 15 labels print. [Figure 19](#) shows a sample of the labels.

Figure 19 • PAUSE Test Label



- While the printer is paused, pressing CANCEL alters the self test. Each time PAUSE is pressed, 15 labels print at 6 in. (152 mm) per second.
- While the printer is paused, pressing CANCEL again alters the self test a second time. Each time PAUSE is pressed, 50 labels print at the printer's slowest speed
- While the printer is paused, pressing CANCEL again alters the self test a third time. Each time PAUSE is pressed, 50 labels print at 6 in. (152 mm) per second.
- While the printer is paused, pressing CANCEL again alters the self test a fourth time. Each time PAUSE is pressed, 15 labels print at the printer's maximum speed.
- To exit this self test at any time, press and hold CANCEL.

FEED Self Test

Different types of media may require different darkness settings. This section contains a simple but effective method for determining the ideal darkness for printing bar codes that are within specifications.

During the FEED self test, labels are printed at different darkness settings at two different print speeds. The relative darkness and the print speed are printed on each label. The bar codes on these labels may be ANSI-graded to check print quality.

The darkness value starts at three settings lower than the printer's current darkness value (relative darkness of -3) and increase until the darkness is three settings higher than the current darkness value (relative darkness of +3).

Depending on the dot density of the printhead, seven labels are printed at each of the following speeds:

- 203 dpi printers: 2 ips, 6 ips, and 10 ips
- 300 dpi printers: 2 ips, 6 ips, 8 ips
- 600 dpi printers: 2 ips, 4 ips

To perform a FEED self test, complete these steps:

1. Print a configuration label to show the printer's current settings.
2. Turn off (O) the printer.
3. Press and hold FEED while turning on (I) the printer. Hold FEED until the first control panel light turns off.

The printer prints a series of labels (Figure 20) at various speeds and at darkness settings higher and lower than the darkness value shown on the configuration label.

Figure 20 • FEED Test Label



- See [Figure 21](#) and [Table 21](#). Inspect the test labels and determine which one has the best print quality for your application. If you have a bar code verifier, use it to measure bars/spaces and calculate the print contrast. If you do not have a bar code verifier, use your eyes or the system scanner to choose the optimal darkness setting based on the labels printed in this self test.

Figure 21 • Bar Code Darkness Comparison

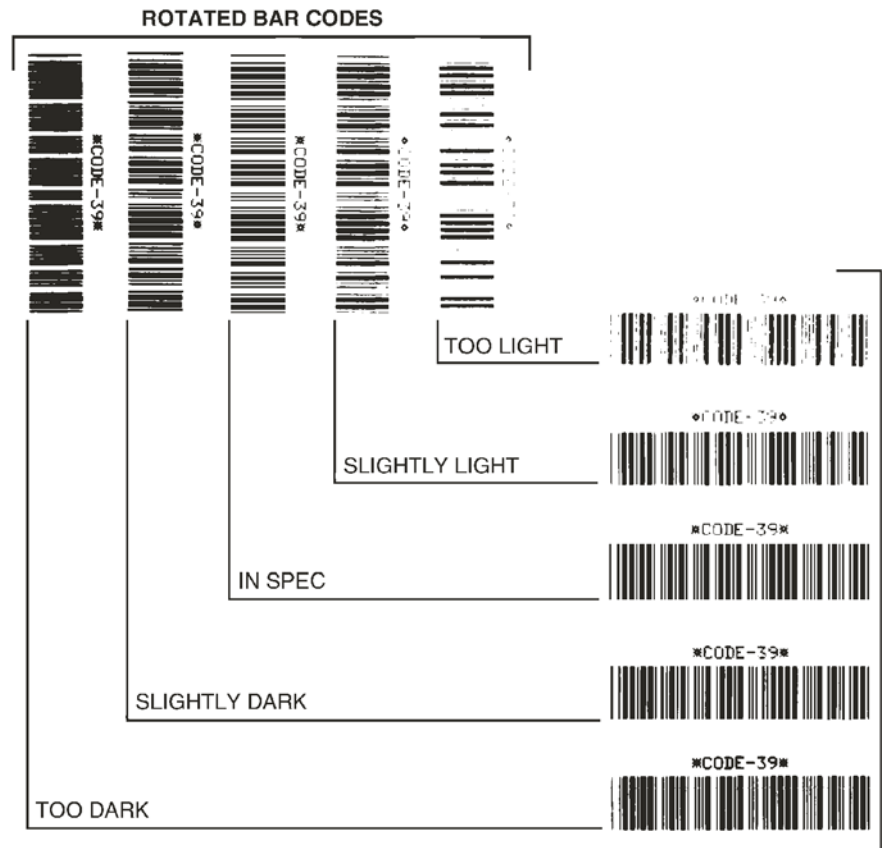


Table 21 • Judging Bar Code Quality

Print Quality	Description
Too dark	<p>Labels that are too dark are fairly obvious. They may be readable but not “in-spec.”</p> <ul style="list-style-type: none"> The normal bar code bars increase in size. The openings in small alphanumeric characters may fill in with ink. Rotated bar code bars and spaces run together.
Slightly dark	<p>Slightly dark labels are not as obvious.</p> <ul style="list-style-type: none"> The normal bar code will be “in-spec.” Small character alpha numerics will be bold and could be slightly filled in. The rotated bar code spaces are small when compared to the “in-spec” code, possibly making the code unreadable.

Table 21 • Judging Bar Code Quality (Continued)

Print Quality	Description
“In-spec”	<p>The “in-spec” bar code can only be confirmed by a verifier, but it should exhibit some visible characteristics.</p> <ul style="list-style-type: none"> • The normal bar code will have complete, even bars and clear, distinct spaces. • The rotated bar code will have complete, even bars and clear, distinct spaces. Although it may not look as good as a slightly dark bar code, the bar code will be “in-spec.” • In both normal and rotated styles, small alphanumeric characters look complete.
Slightly light	<p>Slightly light labels are, in some cases, preferred to slightly dark ones for “in-spec” bar codes.</p> <ul style="list-style-type: none"> • Both normal and rotated bar codes will be in spec, but small alphanumeric characters may not be complete.
Too light	<p>Labels that are too light are obvious.</p> <ul style="list-style-type: none"> • Both normal and rotated bar codes have incomplete bars and spaces. • Small alphanumeric characters are unreadable.

5. Note the relative darkness value and the print speed printed on the best test label.
6. Add or subtract the relative darkness value from the darkness value specified on the configuration label. The resulting numeric value is the best darkness value for that specific label/ribbon combination and print speed.
7. If necessary, change the darkness value to the darkness value on the best test label. See [Adjust Print Darkness on page 73](#).
8. If necessary, change the print speed to the same speed as on the best test label. See [Adjust Print Speed on page 74](#).

FEED and PAUSE Self Test

Performing this self test temporarily resets the printer configuration to the factory default values. These values are active only until power is turned off unless you save them permanently in memory. If the factory default values are permanently saved, a media calibration procedure must be performed.

To perform a FEED and PAUSE self test, complete these steps:

1. Turn off (O) the printer.
2. Press and hold FEED and PAUSE while turning on (I) the printer.
3. Hold FEED and PAUSE until the first control panel light turns off.

The printer configuration is temporarily reset to the factory default values. No labels print at the end of this test.

Communications Diagnostics Test

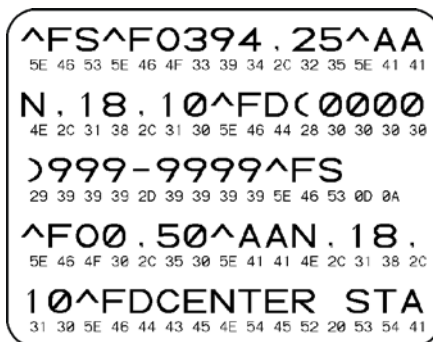
The communication diagnostics test is a troubleshooting tool for checking the interconnection between the printer and the host computer.

When the printer is in diagnostics mode, it prints all data received from the host computer as straight ASCII characters with the hex values below the ASCII text. The printer prints all characters received, including control codes such as CR (carriage return). [Figure 22](#) shows a typical test label from this test.



Note • The test label prints upside-down.

Figure 22 • Communications Diagnostics Test Label



To use communications diagnostics mode, complete these steps:

1. Set the print width equal to or less than the label width being used for the test. See [Set Print Width on page 77](#) for more information.
2. Set the printer to **DIAGNOSTICS**. For instructions, see [Set Communications Mode on page 89](#).

The printer enters diagnostics mode and prints any data received from the host computer on a test label

3. Check the test label for error codes. For any errors, check that your communication parameters are correct.

Errors show on the test label as follows:

- FE indicates a framing error.
- OE indicates an overrun error.
- PE indicates a parity error.
- NE indicates noise.

4. Turn the printer off (**O**) and then back on (**I**) to exit this self test and return to normal operation.

Sensor Profile

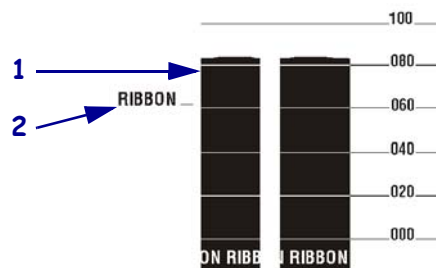
Use the sensor profile label to troubleshoot the following types of problems:

- If the media sensor experiences difficulty in determining gaps (web) between labels.
- If the media sensor incorrectly identifies preprinted areas on a label as gaps (web).
- If the ribbon sensor cannot detect ribbon.

For instructions on printing a sensor profile, see [Print Sensor Profile on page 84](#). If the sensitivity of the sensors must be adjusted, perform [Calibrate Media and Ribbon Sensor Sensitivity on page 85](#).

Ribbon Sensor Profile (Figure 23) The bars (1) on the sensor profile indicate the ribbon sensor readings. The ribbon sensor threshold setting is indicated by the word RIBBON (2). If the ribbon readings are below the threshold value, the printer does not acknowledge that ribbon is loaded.

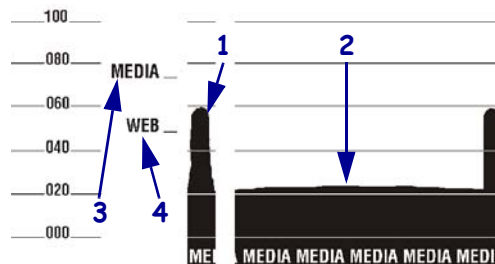
Figure 23 • Sensor Profile (Ribbon Section)



Media Sensor Profile (Figure 24) The media sensor readings are shown as bars and flat areas on the sensor profile. The bars (1) indicate gaps between labels (the web), and the low areas (2) indicate where labels are located. If you compare the sensor profile printout to a blank length of your media, the bars should be the same distance apart as the gaps on the media. If the distances are not the same, the printer may be having difficulty determining where the gaps are located.

The media sensor threshold settings are shown by the words MEDIA (3) for the media threshold and WEB (4) for the web threshold. Use the numbers to the left of the sensor readings to compare the numeric readings to the sensor settings.

Figure 24 • Sensor Profile (Media Section)





Notes • _____



Specifications

This section provides the features of and specifications for the printer.

Contents

General Specifications	140
Printing Specifications	141
Media Specifications	143
Ribbon Specifications.....	144
Printer Options	145

General Specifications

General Specifications		ZM400/RZ400		ZM600/RZ600	
Height		13.3 in.	338 mm	13.3 in.	338 mm
Width		10.9 in.	278 mm	13.4 in.	341 mm
Depth		18.7 in.	475 mm	18.7 in.	475 mm
Weight (without options)		32.4 lbs.	15 kg	34.7 lbs.	16 kg
Electrical		90-265 VAC, 48-62 Hz, 5 Amps (fused)		90-265 VAC, 48-62 Hz, 5 Amps (fused)	
Temperature	Operating	40° to 104°F	5° to 40°C	40° to 104°F	5° to 40° C
	Storage	-40° to 140°F	-40° to 60°C	-40° to 140°F	-40° to 60°C
Relative Humidity	Operating	20% to 85%, non-condensing		20% to 85%, non-condensing	
	Storage	5% to 85%, non-condensing		5% to 85%, non-condensing	
Communication Interfaces		<ul style="list-style-type: none"> • USB 2.0 • bi-directional parallel • serial data interface <ul style="list-style-type: none"> • RS-232C, with DB9F connector • Configurable baud rate (300 - 115,200 kB), parity, and data bits. Stop bits can be set at 1 or 2 • Software (XON/XOFF), hardware (DTR/DSR, or RTS/CTS) communication handshake protocols • RS422/485 with optional adapter • ZebraNet print servers —Ethernet network print server (10BASE-T, 100BASE-TX) • ZebraNet wireless print servers —802.11b/g-compliant wireless print server 			
Memory		16 MB DRAM memory (12 MB user available) 8 MB flash memory (2 MB user available)			
Label formats accepted by firmware		<ul style="list-style-type: none"> • ZPL II • XML-Enabled ZPL • EPL II (203 dpi ZM400 or ZM600 only) • APL-I (203 dpi ZM400 or ZM600 only) • APL-D (203 dpi ZM400 or ZM600 only) 			

Printing Specifications

Printing Specifications		ZM400/RZ400		ZM600/RZ600	
Print resolution		203 dots/in.	8 dots/mm	203 dots/in.	8 dots/mm
		300 dots/in.	12 dots/mm	300 dots/in.	12 dots/mm
		600 dots/in.	24 dots/mm	N/A	N/A
Dot size (width x length)	203 dots/in.	0.0049 in. x 0.0049 in.	0.125 mm x 0.125 mm	0.0049 in. x 0.0049 in.	0.125 mm x 0.125 mm
	300 dots/in.	0.0033 in. x 0.0039 in.	0.084 mm x 0.099 mm	0.0033 in. x 0.0039 in.	0.084 mm x 0.099 mm
	600 dots/in.	0.0016 in. x 0.0016 in.	0.042 mm x 0.042 mm	N/A	N/A
First dot location measured from inside media backing edge		0.10 in. ± 0.04 in.	(2.5 mm ± 1 mm)	0.10 in. ± 0.04 in.	(2.5 mm ± 1 mm)
Maximum print width	203 dots/in.	4.09 in.	104 mm	6.6 in.	168 mm
Minimum print length		1 dot row		1 dot row	
Maximum continuous print length	203 dots/in.	157 in.	3988 mm	102 in.	2590 mm
	300 dots/in.	73 in.	1854 mm	45 in.	1143 mm
	600 dots/in.	20 in.	508 mm	N/A	N/A
Bar code modulus (X) dimension	Picket fence (non-rotated) orientation				
	203 dots/in.	4.9 mil to 49 mil		4.9 mil to 49 mil	
	300 dots/in.	3.3 mil to 33 mil		3.3 mil to 33 mil	
	600 dots/in.	1.6 mil to 16 mil		N/A	
	Ladder (rotated) orientation				
	203 dots/in.	4.9 mil to 49 mil		4.9 mil to 49 mil	
	300 dots/in.	3.9 mil to 39 mil		3.3 mil to 33 mil	
	600 dots/in.	1.6 mil to 16 mil		N/A	

Printing Specifications		ZM400/RZ400	ZM600/RZ600
Programmable constant print speeds	203 dots/in.	<ul style="list-style-type: none"> • 2.4 in. (61 mm) per second • 3 in. through 10 in. per second in 1-in. increments (76 mm through 254 mm per second in 25-mm increments) 	<ul style="list-style-type: none"> • 2.4 in. (61 mm) per second • 3 in. through 10 in. per second in 1-in. increments (76 mm through 254 mm per second in 25-mm increments)
	300 dots/in.	<ul style="list-style-type: none"> • 2.4 in. (61 mm) per second • 3 in. through 8 in. per second in 1-in. increments (76 mm through 203 mm per second in 25-mm increments) 	<ul style="list-style-type: none"> • 2.4 in. (61 mm) per second • 3 in. through 8 in. per second in 1-in. increments (76 mm through 203 mm per second in 25-mm increments)
	600 dots/in.	<ul style="list-style-type: none"> • 1.5 in (38 mm) • 2 in. through 4 in. per second in 1-in. increments (51 mm through 102 mm per second in 25-mm increments) 	N/A

Thin film printhead with E³® Element Energy Control

Media Specifications

Media Specifications		ZM400/RZ400		ZM600/RZ600		
Label length	Minimum	Non-RFID				
		Tear-off	0.5 in.	13 mm	0.5 in.	13 mm
		Peel-off	0.5 in.	13 mm	0.5 in.	13 mm
		Rewind	0.5 in.	13 mm	0.5 in.	13 mm
		Cutter	1 in.	25.4 mm	1.0 in.	25.4 mm
	RFID	Varies for each transponder type*				
	Maximum	200 or 300 DPI	39 in.	991 mm	39 in.	991 mm
600 DPI		20 in.	508 mm	N/A	N/A	
Label width	Minimum	Non-RFID				
		RFID	Varies for each transponder type*			
	Maximum	Tear/Cutter	4.5 in.	114 mm	7.0 in.	178 mm
		Peel/Rewind	4.25 in.	108 mm	6.75 in.	171 mm
Total thickness (includes liner, if any)	Minimum	0.0023 in.	0.058 mm	0.0023 in.	0.058 mm	
	Maximum	0.010 in.	0.25 mm	0.010 in.	0.25 mm	
Core size		3 in.	76 mm	3 in.	76 mm	
Maximum roll diameter		8 in.	203 mm	8 in.	203 mm	
Maximum fanfold pack size (length x width x height)		8.0 in. × 4.5 in. × 6.2 in.	203 mm × 114 mm × 157 mm	8.0 in. × 7.0 in. × 6.2 in.	203 mm × 178 mm × 157 mm	
Inter-label gap	Minimum	0.079 in.	2 mm	0.079 in.	2 mm	
	Preferred	0.118 in.	3 mm	0.118 in.	3 mm	
	Maximum	0.157 in.	4 mm	0.157 in.	4 mm	
Ticket/tag notch size (width x length)		0.25 in. × 0.12 in.	6 mm × 3 mm	0.25 in. × 0.12 in.	6 mm × 3 mm	
Hole diameter		0.125 in.	3 mm	0.125 in.	3 mm	
Notch or hole position (Centered from inner media edge)	Minimum	0.15 in.	3.8 mm	0.15 in.	3.8	
	Maximum	2.25 in.	57 mm	3.5 in.	90 mm	
Black mark dimensions	Vertical length		0.098 in. to 0.453 in.	2.5 to 11.5 mm	0.098 in. to 0.453 in.	2.5 to 11.5 mm
	Horizontal width		≥ 0.37 in.	≥ 9.5 mm	≥ 0.37 in.	≥ 9.5 mm
	Location		Within 0.40 in. (1 mm) of inside media edge			
Density, in Optical Density Units (ODU)		> 1.0 ODU				
Maximum media density		0.5 ODU				

* See http://www.zebra.com/id/zebra/na/en/index/products/supplies/rfid_supplies/rfid_transponder_inlay.html for transponder placement information.

Ribbon Specifications

Ribbon can be wound with the coated side on the inside or outside. The ribbon used must match the Thermal Transfer option installed. The standard Thermal Transfer option (black ribbon spindle) uses ribbon coated on the outside, and the alternate Thermal Transfer option (gray ribbon spindle) uses ribbon coated on the inside. For more information, see [Ribbon Overview on page 36](#).

Ribbon Specifications		ZM400/RZ400		ZM600/RZ600	
Ribbon width (Zebra recommends using ribbon at least as wide as the media to protect the printhead from wear.)	Minimum	>2 in.*	51 mm*	>2 in.	51 mm
	Maximum	4.3 in.	110 mm	6.85 in.	174 mm
Standard lengths	2:1 media to ribbon roll ratio	984 ft.	300 m	984 ft.	300 m
	3:1 media to ribbon roll ratio	1476 ft.	450 m	1476 ft.	450 m
Ribbon core inside diameter		1 in.	25.4 mm	1 in.	25.4 mm
Maximum ribbon roll size		3.2 in.	81.3 mm	3.2 in.	81.3 mm

* The narrowest width tested and approved for this printer is 2 in. (51 mm). You may be able to use narrower ribbon, as long as the ribbon is wider than the media being used. To use a ribbon narrower than 2 in. (51 mm), test the ribbon's performance with your media to assure that you get the desired results.

Printer Options

Option	ZM400	ZM600	RZ400	RZ600
Cutter	X	X	X	X
Peel-off	X	X	X	X
Liner take-up	X	Not available	X	Not available
Alternate Thermal Transfer option (gray spindle), which uses ribbon coated on the inside	X	Not available	X	Not available
Factory-installed 64 MB (58 MB user available) Flash memory	X	X	X	X
300 dpi printhead	X	X	X	X
600 dpi printhead	X	Not available	Not available	Not available
Rewind	X	X	X	X
External print server (10/100 or 10base-T)	X	X	X	X
Internal print server (10base-T)	X	X	X	X
Wireless print server	X	X	X	X
RFID reader/encoder	Optional	Optional	Standard	Standard



Notes • _____

Index



A

- adhesive test for ribbon coating, 36
- adjustments
 - left position, 93
 - media alignment for rewind, 110
 - print darkness, 73
 - printhead pressure, 64
 - tear-off position, 75
- auto calibration, 63

B

- backfeed setting, 93
- bar codes
 - darkness comparison during FEED self test, 132
 - list available codes, 81
- battery disposal, 100
- baud setting, 87
- before you begin setup, 24
- bitmap scaling factor, 95
- black mark media
 - described, 35

C

- calibration
 - media and ribbon sensor, 85, 86
 - setting for head close, 92
 - setting for media power up, 92
 - troubleshooting problems, 120
- Canadian DOC compliance, 4
- CANCEL button
 - CANCEL self test, 130
 - description, 20

- checklist
 - before you begin, 24
 - troubleshooting, 112
- cleaning
 - cutter module, 106
 - exterior of printer, 101
 - media compartment and sensors, 105
 - printhead and platen roller, 102
 - recommended cleaning schedule, 101
- coax option
 - characteristics of coax connection, 29
- communication interfaces, 27
- communications diagnostics test
 - overview, 136
 - selecting, 89
- communications problems, 121
- components of printer, 18
- configuration
 - changing parameters, 73
 - enter and use Setup mode, 68
 - exit Setup mode, 69
 - software or printer driver, 73
- configuration label
 - printing using CANCEL self test, 130
 - printing using List Setup command, 82
- connect printer to computer or network, 27
- connect printer to power source, 32
- contacts, 11
- continuous media
 - described, 35
 - setting media type, 76

- control panel
 - buttons described, 20
 - enter and use Setup mode, 68
 - exit Setup mode, 69
 - LCD error messages, 113
 - lights described, 21
 - location, 16
 - overview and illustration, 19
 - parameters, 73
- control prefix setting, 90
- counters, 81
- customer service, 11
- cutter
 - cleaning, 106
 - Cutter Jam** message, 116
 - Cutter mode media path, 42
 - loading media for Cutter mode, 43
 - print mode use described, 40
 - selecting Cutter mode, 76

D

- darkness setting, 73
- data bits setting, 88
- data cables, 31
- data source
 - connections, 27
 - site selection, 26
- date setting, 96
- default password, 70
- defragmenting message, 116
- Delayed Cut mode
 - loading media, 43
 - media path, 42
 - print mode use described, 40
 - selecting, 76
- delimiter character setting, 91
- diagnostics, 129
- direct thermal mode
 - media scratch test, 36
 - setting, 77
- disable password protection, 70
- display language
 - changing from unreadable language, 126
 - selection, 97
- disposal of printer parts, 100
- download firmware, 22
- dpi format conversion, 95

E

- electronics cover, 16
- Eltron Programming Language (EPL), 22

- emulations, 22
- enter Setup mode, 68
- error messages, 113
- Ethernet
 - characteristics of internal wired connection, 30
 - characteristics of wireless connection, 30
 - wired and wireless connector locations, 17
- exit Setup mode, 69
- external view of printer, 16

F

- factory defaults
 - reload parameters, 69
 - restore network settings, 69
- fanfold media
 - described, 35
 - loading, 44
- FCC compliance, 4
- FCC radiation exposure limits, 4
- FEED button
 - description, 20
 - FEED and PAUSE self test, 135
 - FEED self test, 132
- firmware, 22
- Flash memory, 84
- font list, 81
- format convert setting, 95
- format list, 81
- format memory card, 83
- format prefix setting, 90

G

- general specifications, 140

H

- HEAD COLD** message
 - cycling with other messages, 114
 - displayed alone, 115
 - displaying alone, 115
- HEAD ELEMENT BAD** message, 114
- HEAD TOO HOT** message, 115
- host handshake setting, 88
- humidity requirements, 26

I

- idle display setting, 95
- images list, 81
- initialize Flash memory, 84
- initialize memory card, 83
- inspect for shipping damage, 25

international safety organization marks, 33
INVALID HEAD message, 113

L

label length maximum setting, 78
 label top
 printer cannot detect, 127
 setting, 93
 labels did not print, 121
 language
 changing from unreadable language, 126
 selection, 97
 LCD messages
 error messages, 113
 language selection, 97
 Setup mode, 73
 liability, 2
 liner removal for Rewind mode, 108
 Liner Take-Up mode
 description, 40
 loading media, 43
 media path, 41
 Linerless Peel or Linerless Rewind
 as print mode options, 40
 selecting, 76
 list settings
 all settings, 82
 bar codes, 81
 fonts, 81
 formats, 81
 images, 81
 network, 82
 setup, 82
 load factory defaults, 69
 loading media, 43
 loading ribbon, 58
 lubrication, 100

M

manual calibration, 63
 mark LED setting, 94
 Mark Med S. setting, 94
 maximum label length setting, 78

media
 black mark, 35
 continuous roll media, 35
 fanfold, 35
 loading, 43
 media LED setting, 94
 non-continuous roll media, 35
 ordering, 11
 perforated, 35
 RFID “smart” labels, 34
 setting media type, 76
 specifications, 143
 tag stock, 34
 types of media, 34
 web, 35
 media and ribbon sensor calibration procedure, 85, 86
 media compartment
 cleaning, 105
 components, 18
 media door, 16
 media power up setting, 92
 Media S. setting, 94
 media scratch test, 36
 media sensor
 calibration, 85, 86
 print sensor profile, 84

N

network configuration label
 printing, 72
 printing using List Network command, 82
 network ID setting, 89
 non-continuous media
 described, 35
 setting media type, 76

O

odometer, 81
 operating conditions, 26
 options, 145
 ordering replacement parts, 100
 ordering ribbon and media, 11
OUT OF MEMORY message, 116

P

PAPER OUT message, 114
 parallel port
 characteristics of parallel connection, 28
 connector location, 17
 setting parallel communications, 87
 parity setting, 88

- passwords
 - default, 70
 - disable, 70
 - entering, 70
 - setting password level, 96
 - PAUSE button
 - description, 20
 - FEED and PAUSE self test, 135
 - PAUSE self test, 131
 - Peel-Off mode
 - loading media, 43
 - media path, 41
 - print mode use described, 40
 - selecting, 76
 - perforated media, 35
 - power
 - connect to power source, 32
 - power cord specifications, 33
 - power switch and connector locations, 17
 - site selection, 26
 - Power-On Self Test (POST), 129
 - print configuration label
 - CANCEL self test, 130
 - List Setup command, 82
 - print darkness setting, 73
 - print modes
 - described, 40
 - load media for different print modes and options, 43
 - media paths, 41
 - selecting, 76
 - print network configuration label, 82
 - instructions and sample label, 72
 - print quality
 - troubleshooting, 117
 - print server
 - characteristics of internal wired connection, 30
 - characteristics of wireless connection, 30
 - print width setting, 77
 - printer components, 18
 - printer diagnostics, 129
 - printer language modes, 22
 - printer options, 145
 - described, 40
 - load media for different print modes and options, 43
 - media paths, 41
 - printer settings
 - backfeed, 93
 - baud, 87
 - control prefix, 90
 - data bits, 88
 - date, 96
 - delimiter character, 91
 - format convert, 95
 - format prefix, 90
 - host handshake, 88
 - idle display, 95
 - label top, 93
 - language, 97
 - left position, 93
 - maximum label length, 78
 - media type, 76
 - network configuration label as baseline, 72
 - network ID, 89
 - parallel communications, 87
 - parity, 88
 - print darkness, 73
 - print method, 77
 - print width, 77
 - protocol, 89
 - RFID, 98
 - saving, 69
 - serial communications, 87
 - setting through control panel, 68
 - time, 96
 - wired print server, 98
 - wireless print server, 98
 - ZPL mode, 91
 - printhead
 - cleaning, 102
 - faulty thermistor, 114
 - head close setting, 92
 - invalid replacement head error, 113
 - pressure adjustment, 64
 - printing specifications, 141
 - protocol setting, 89
- ## R
- radiation exposure limits, 4
 - recycling printer parts, 100
 - registration problems, 120
 - relative humidity requirements, 26
 - remove used ribbon, 62
 - replacement parts, 100
 - report shipping damage, 25
 - reprint mode for reprinting last label, 94

- restore
 - factory default settings, 69
 - network settings, 69
 - Rewind mode
 - adjust media alignment, 110
 - liner removal, 108
 - loading media, 43
 - media path, 42
 - print mode use described, 40
 - selecting, 76
 - RFID
 - firmware and language restrictions, 22
 - printer parameters, 98
 - “smart” labels, 34
 - troubleshooting, 123
 - ribbon
 - adhesive test, 36
 - determining coated side, 36
 - loading, 58
 - ordering, 11
 - removing, 62
 - ribbon LED setting, 94
 - scratch test, 37
 - specifications, 144
 - troubleshooting, 122
 - when to use, 36
 - RIBBON IN** message, 114
 - RIBBON OUT** message, 113
 - Ribbon S. setting, 94
 - ribbon sensor
 - calibration procedure, 85, 86
 - print sensor profile, 84
 - roll media
 - described, 34
 - loading, 44
 - routine cleaning schedule, 101
 - RTC (real-time clock) setting
 - date, 96
 - idle display, 95
 - time, 96
- S**
- sales, 11
 - scratch test
 - media type, 36
 - ribbon coated side, 37
 - self tests, 129
 - CANCEL, 130
 - communications diagnostics, 136
 - FEED, 132
 - FEED and PAUSE, 135
 - PAUSE, 131
 - Power-On Self Test (POST), 129
 - sensor profile calibration
 - selecting through control panel, 84
 - sensors
 - cleaning, 105
 - interpreting sensor profile, 137
 - print sensor profile, 84
 - serial port
 - characteristics of serial connection, 27
 - connector location, 17
 - setting serial communications, 87
 - setup
 - checklist, 24
 - unpack the printer, 25
 - Setup mode
 - enter and use Setup mode, 68
 - exit Setup mode, 69
 - LCD messages, 73
 - passwords, 70
 - shipping
 - report damage, 25
 - reshipping the printer, 25
 - “smart” labels, 34
 - spacing requirements, 26
 - specifications
 - general, 140
 - media, 143
 - power cord, 33
 - printing, 141
 - ribbon, 144
 - storing the printer, 25
 - surface for the printer, 26
- T**
- tag stock
 - described, 34
 - Tear-Off mode
 - loading media, 43
 - media path, 41
 - print mode use described, 40
 - selecting, 76
 - tear-off position adjustment, 75
 - technical support, 11
 - temperature requirements, 26

- thermal transfer mode
 - media scratch test, 36
 - setting, 77
- THERMISTOR FAULT** message
 - cycling with other messages, 114
 - displayed alone, 114
- time setting, 96
- top of label
 - printer cannot detect, 127
 - setting, 93
- troubleshooting
 - checklist, 112
 - communications problems, 121
 - diagnostic tests, 129
 - LCD error messages, 113
 - print quality problems, 117
 - RFID problems, 123
 - ribbon problems, 122
- twinax/coax port
 - characteristics of twinax or coax connection, 29
- types of media
 - black mark media, 35
 - continuous roll media, 35
 - fanfold media, 35
 - non-continuous roll media, 35
 - perforated media, 35
 - RFID “smart” labels, 34
 - tag stock, 34
 - web media, 35

U

- unpack the printer, 25
- USB port
 - characteristics of USB connection, 28
 - connector location, 17

W

- web media
 - described, 35
- Web S. setting, 94
- wired print server
 - characteristics, 30
 - connector location, 17
 - printer parameters, 98
 - view active print server, 72
- wireless cards, 31
- wireless print server
 - characteristics, 30
 - connector location, 17
 - printer parameters, 98
 - view active print server, 72

Z

- Zebra Programming Language (ZPL)
 - downloading firmware, 22
 - ZPL mode setting, 91



Zebra Technologies Corporation

Zebra Technologies Corporation
475 Half Day Road, Suite 500
Lincolnshire, IL 60069 USA
T: +1 847 634 6700
Toll-free +1 866 230 9494
F: +1 847 913 8766

Zebra Technologies Europe Limited

Dukes Meadow
Millboard Road
Bourne End
Buckinghamshire, SL8 5XF, UK
T: +44 (0)1628 556000
F: +44 (0)1628 556001

Zebra Technologies Asia Pacific, LLC

120 Robinson Road
#06-01 Parakou Building
Singapore 068913
T: +65 6858 0722
F: +65 6885 0838

<http://www.zebra.com>