



Zebra Technologies Corporation

333 Corporate Woods Parkway
Vernon Hills, Illinois 60061.3109 U.S.A.
Telephone +1 847.634.6700
Facsimile +1 847.913.8766



Zebra Technologies Europe Limited

Zebra House
The Valley Centre, Gordon Road
High Wycombe
Buckinghamshire HP13 6EQ, UK
Telephone +44 (0)1494 472872
Facsimile +44 (0)1494 450103



**Zebra Technologies
Latin American Sales Office**

6175 NW 153rd Street
Suite 121
Miami Lakes FL 33014 U.S.A.
Telephone +1 305.558.8470
Facsimile +1 305.558-8485



**Zebra Technologies
Regional Sales Office - Asia/Pacific**

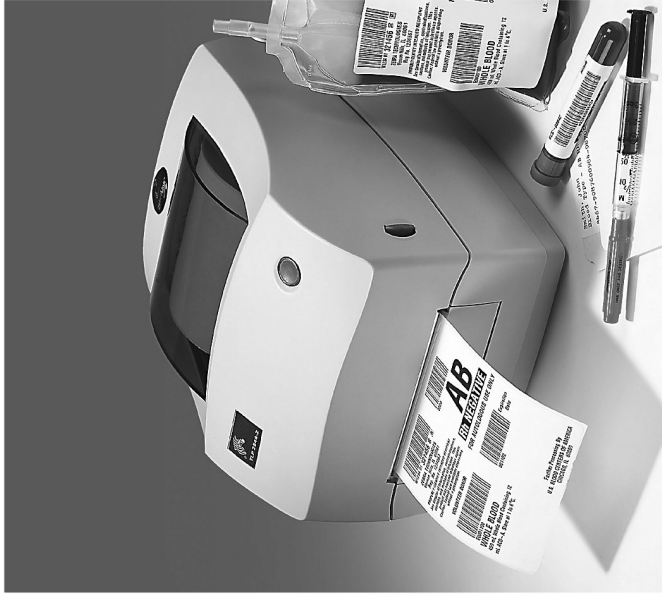
1 Sims Lane, #06-11
Singapore 387355
Telephone +011 / 65 6842 0322
Facsimile +011 / 65 6842 0366



980479-001A



Part #980479-001 | Rev. A



Zebra®
TLP 2844-Z™



TLP 2844-Z -lämpötulosfimet

<u>EMC-direktiivi</u>	EN 55022-B 1998 EN 55024 1998	Radiotaajuussäteilyn säätö Sähkömagneettinen häiriönsieto
<u>CB-kaavio</u>	EN 60950 1991	Turvallisuus

TLP 2844-Z Termiska skrivare

<u>EMC-direktiv</u>	EN 55022-B 1998 EN 55024 1998	RF emissionskontroll Tålighet mot elektromagnetiska störningar
<u>CB regler</u>	EN 60950 1991	Säkerhet

Termoskriverne TLP 2844-Z

<u>EMC-Direktiv</u>	EN 55022-B 1998 EN 55024 1998	RF-emissionskontroll Ujottakelighet mot elektromagnetiske forstyrrelser
<u>CB skjema</u>	EN 60950 1991	Sikkerhet

Impresoras térmicas TLP 2844-Z

<u>Normativa EMC</u>	EN 55022-B 1998 EN 55024 1998	Control de emisiones de radiofrecuencia Inmunidad a las alteraciones electromagnéticas
<u>CB Esquema</u>	EN 60950 1991	Seguridad

Stampante termica TLP 2844-Z

<u>Direttiva EMC</u>	EN 55022-B 1998 EN 55024 1998	Controllo delle emissioni di frequenza radiofonica Immunità ai disturbi elettromagnetici
<u>CB Schema</u>	EN 60950 1991	Sicurezza

Impressoras térmica TLP 2844-Z

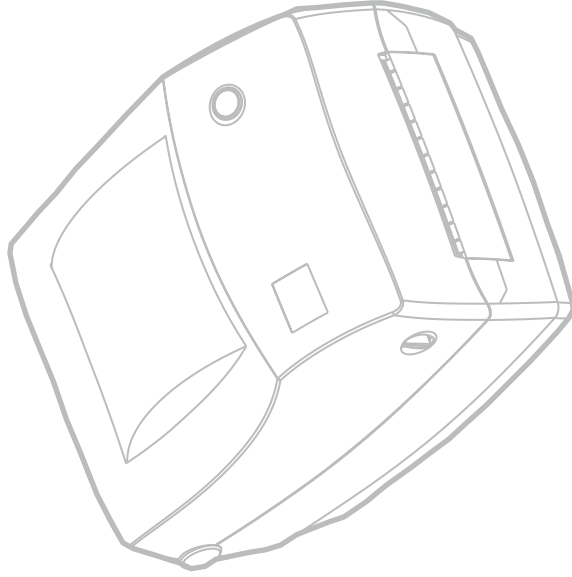
<u>Diretiva EMC</u>	EN 55022-B 1998 EN 55024 1998	Controle de Emissões de RF Imunidade a Distúrbios Eletromagnéticos
<u>CB Esquema</u>	EN 60950 1991	Segurança

Θερμικοί Εκτυπωτές TLP 2844-Z

<u>Οδηγία ΗΜΣ (EMC)</u>	EN 55022-B 1998 EN 55024 1998	Έλεγχος εκπομπών ΡΣ Ανοσία σε ηλεκτρομαγνητικές παρεμβολές
<u>CB Διάγραμμα</u>	EN 60950 1991	Ασφάλεια

TLP 2844-Z termoprinter

<u>EMC direktiv</u>	EN 55022-B 1998 EN 55024 1998	Udstråling Ujmodtagelig for elektromagnetisk støj
<u>CB certifikatorinding</u>	EN 60950 1991	Sikkerhed





FCC - DECLARATION OF CONFORMITY:

Model: TLP 2844-Z conforms to the following specification: FCC Part 15, Subpart B, Section 15.107(a) and Section 15.109(a) Class B digital device
Supplemental Information: This device complies with Part 15 of the FCC Rules. Operation is subject to the following Two Conditions: (1) This device may not cause harmful interference, and (2) this device must accept any interference received, including interference that may cause undesired operation.

INDUSTRY CANADA NOTICE:

This device complies with Industry Canada ICS-003 class B requirements.
Cet équipement est conforme à l'ICS-003 classe B de la norme Industrielle Canadienne.



TLP 2844-Z Thermal Printers

<u>EMC Directive</u>	EN 55022-B 1998 EN 55024 1998	RF Emissions control Immunity to Electromagnetic Disturbances
<u>CB Scheme</u>	EN 60950 1991	Safety

TLP 2844-Z Thermodrucker

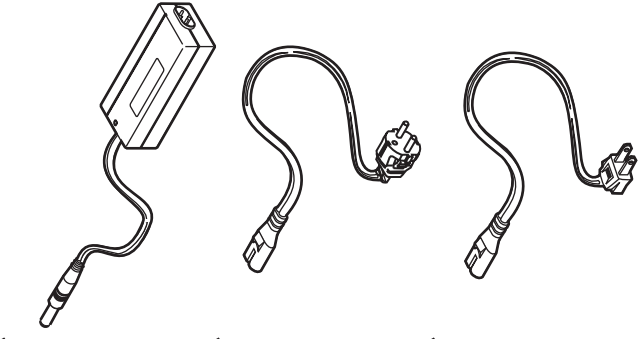
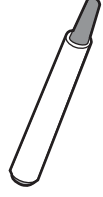
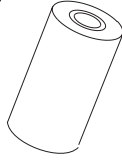
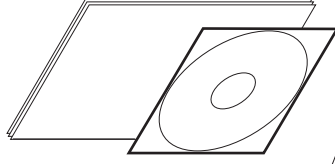
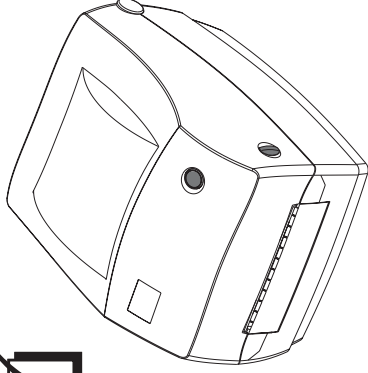
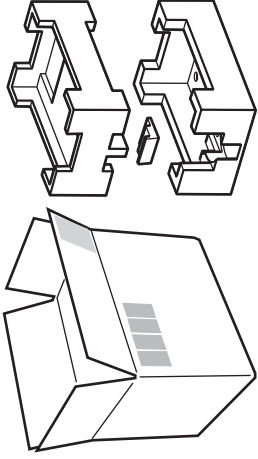
<u>EMC Direktive</u>	EN 55022-B 1998 EN 55024 1998	HF-Emissionsbegrenzung Festigkeit gegen elektro- magnetische Störungen
<u>CB Entwurf</u>	EN 60950 1991	Sicherheit

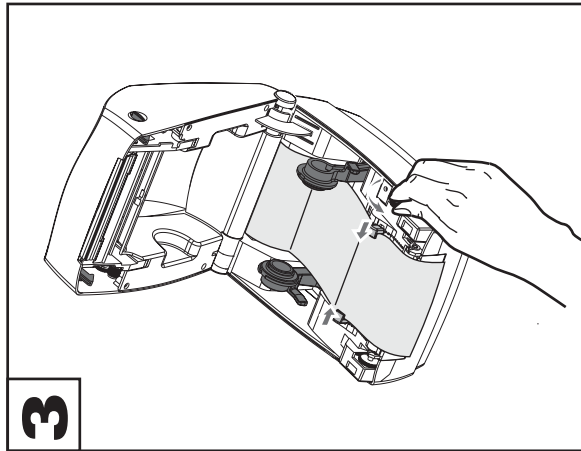
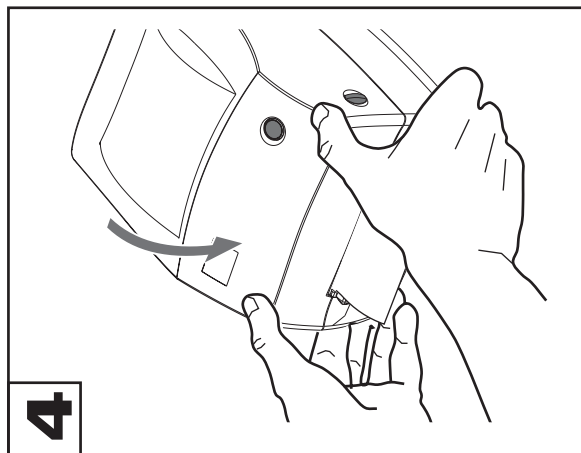
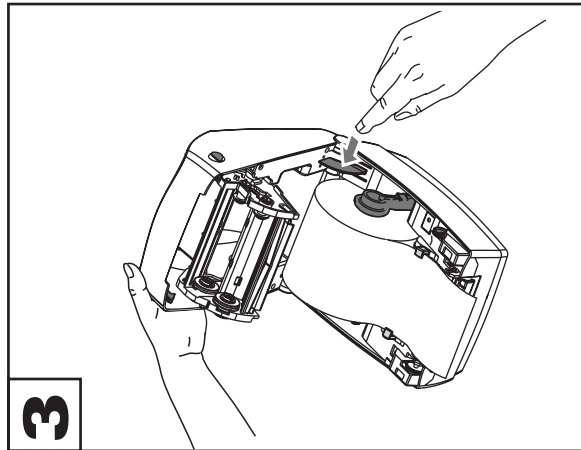
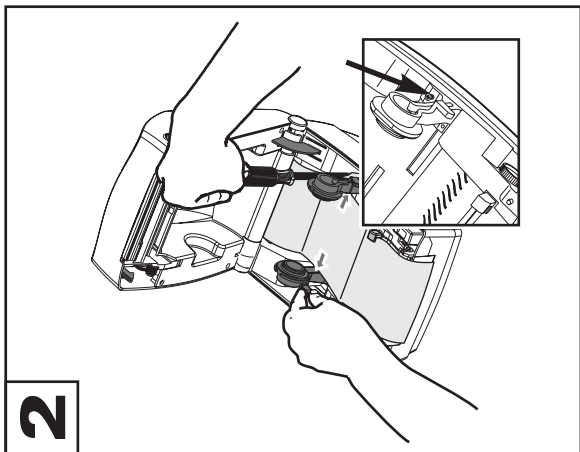
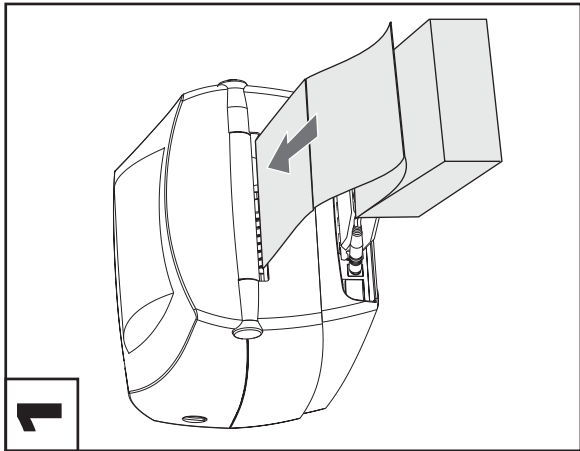
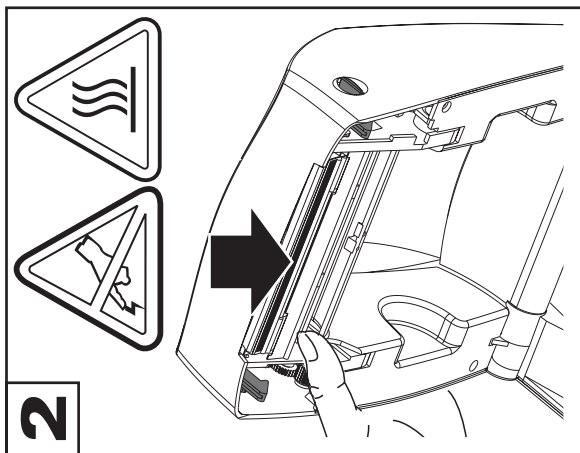
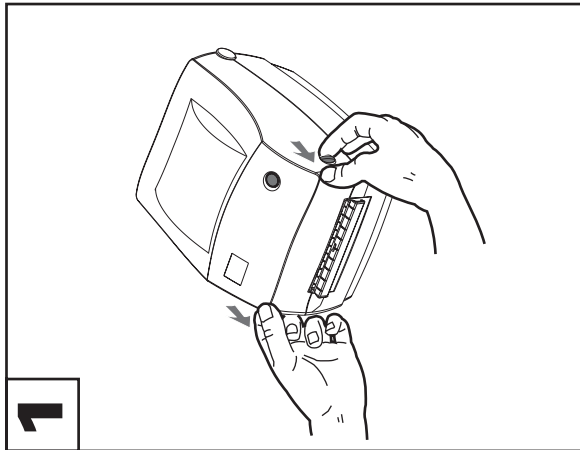
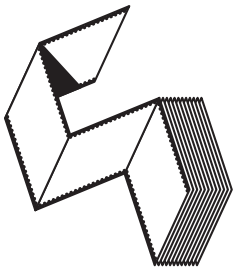
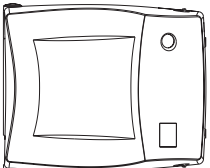
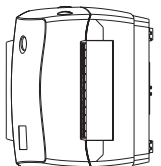
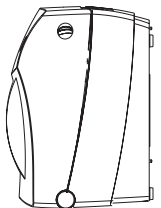
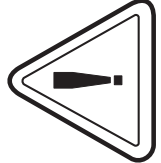
Imprimante thermique TLP 2844-Z

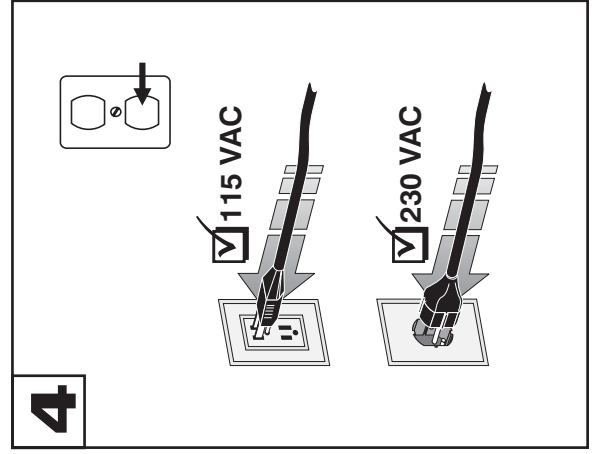
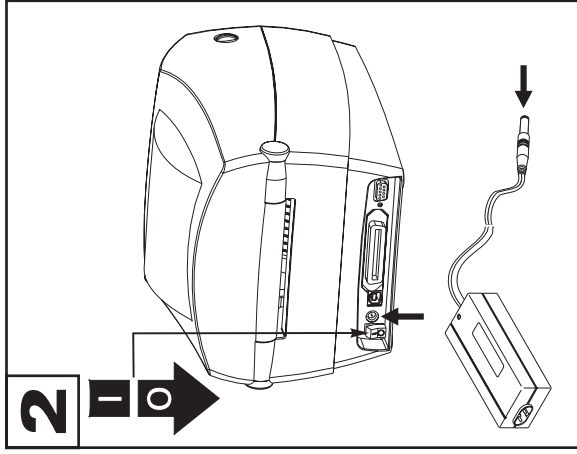
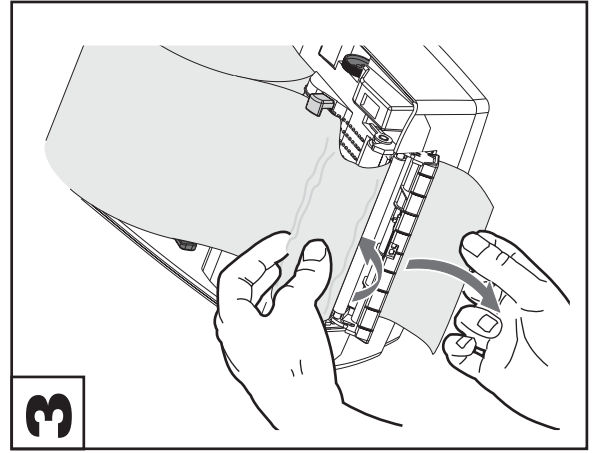
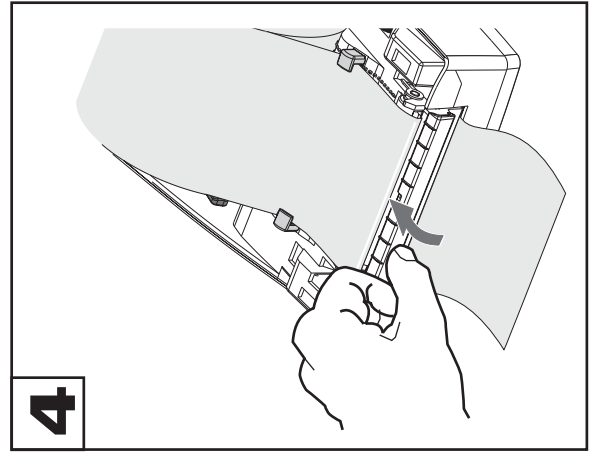
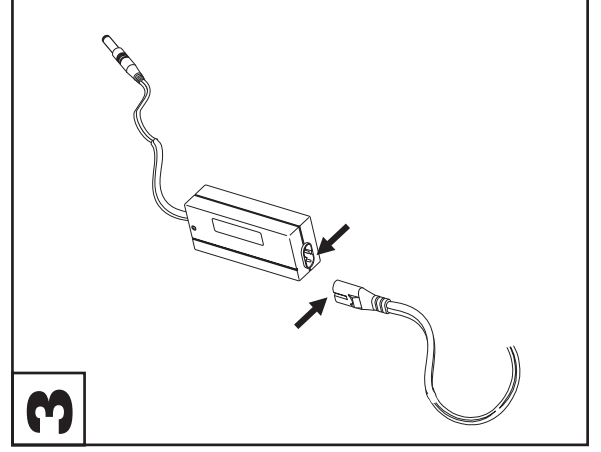
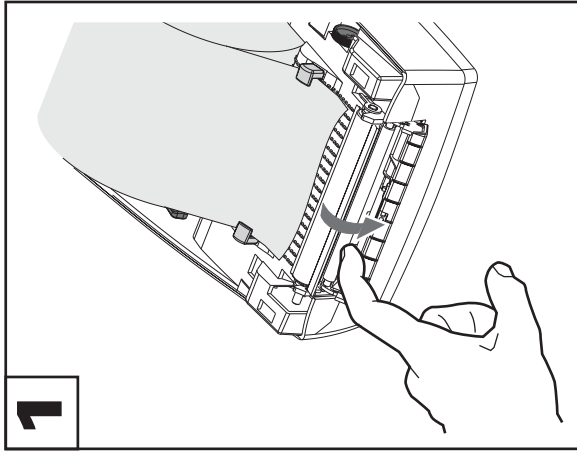
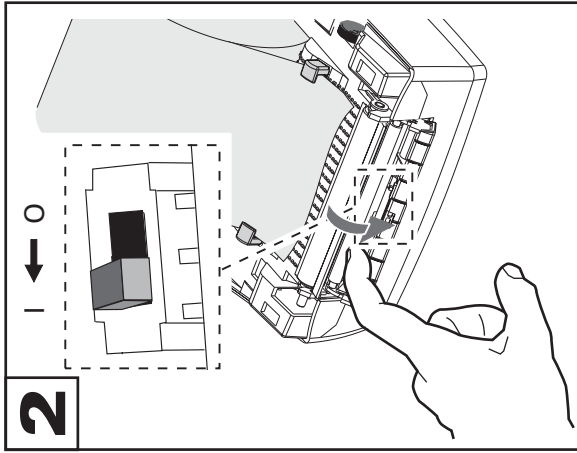
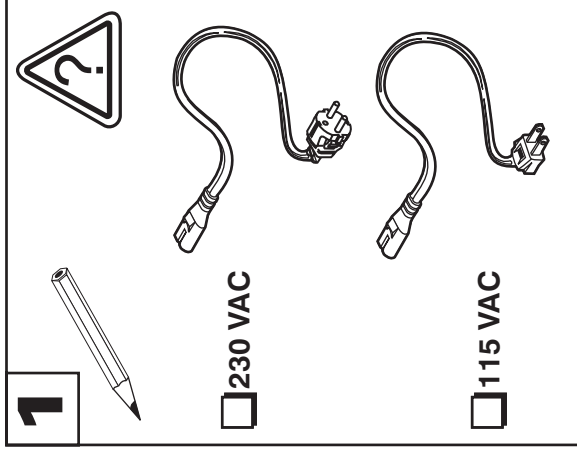
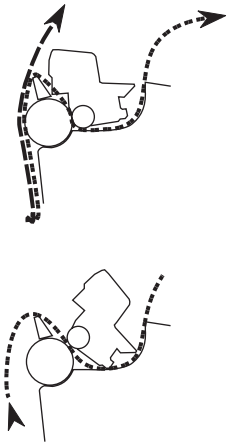
<u>Directive EMC</u>	EN 55022-B 1998 EN 55024 1998	Contrôle des émissions RF Protection contre les perturbations électromagnétiques
<u>CB Arrangement</u>	EN 60950 1991	Sûreté

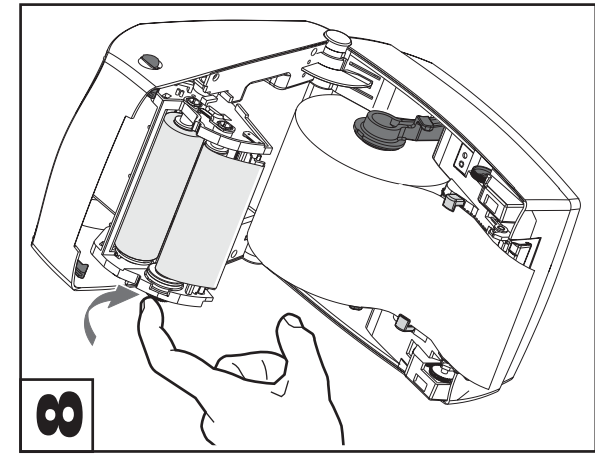
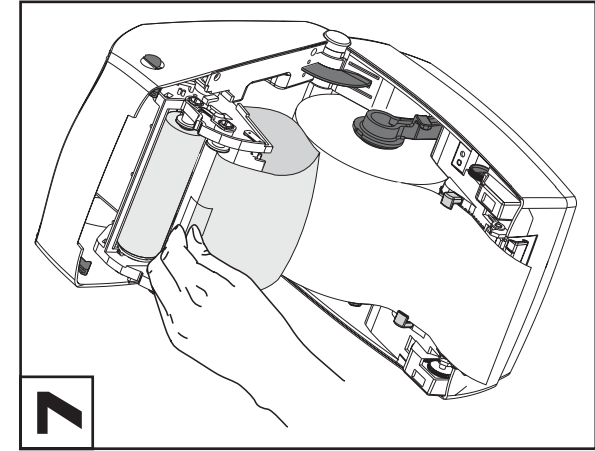
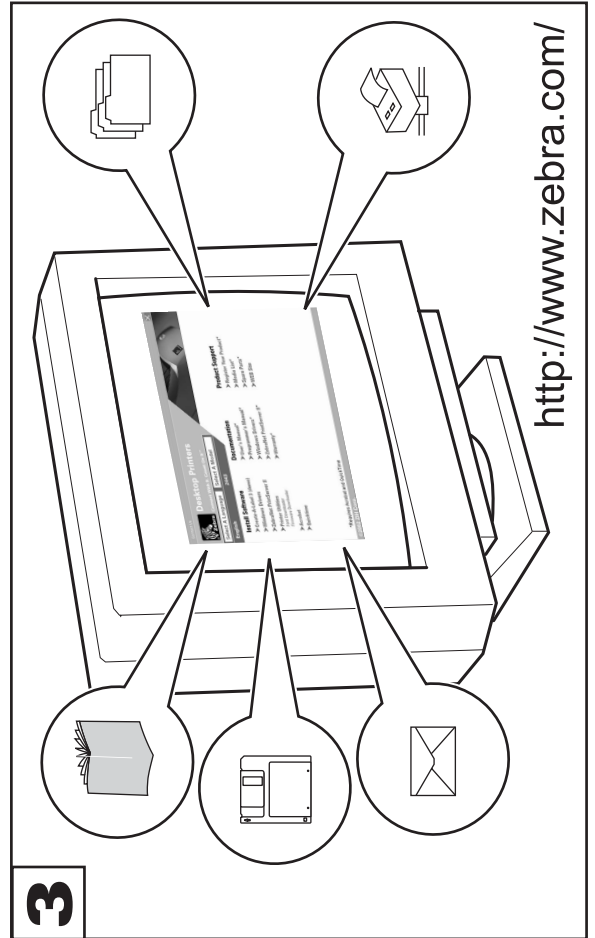
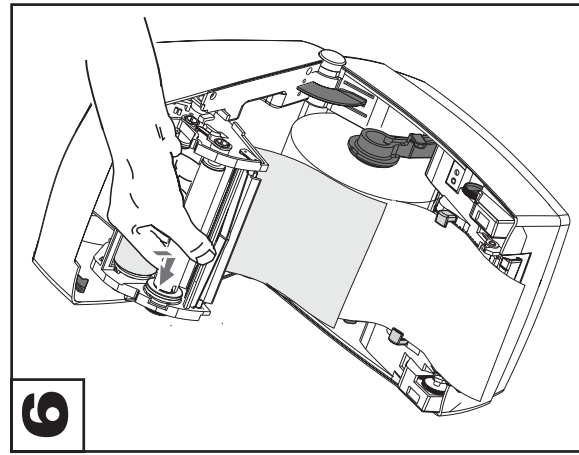
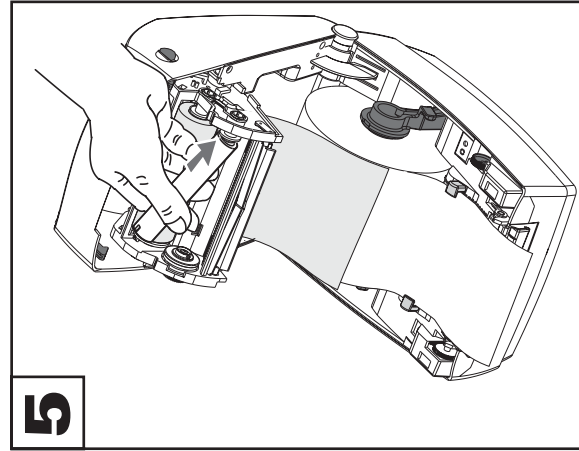
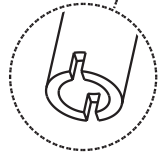
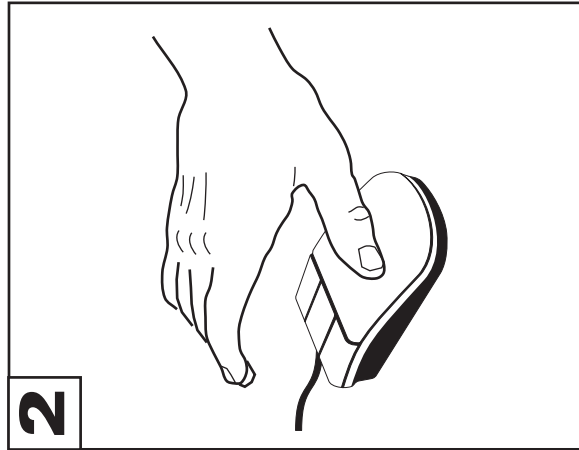
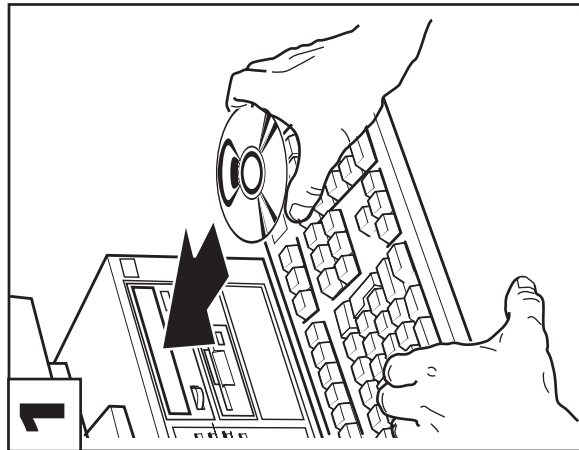
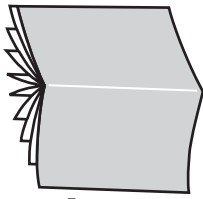
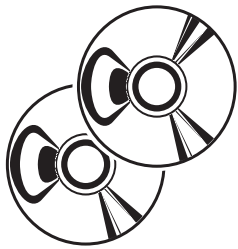
Thermische printer TLP 2844-Z

<u>EMC-richtlijn</u>	EN 55022-B 1998 EN 55024 1998	RF emissieregeling Immunititeit voor elektromagnetische storingen
<u>CB schema</u>	EN 60950 1991	Veiligheid







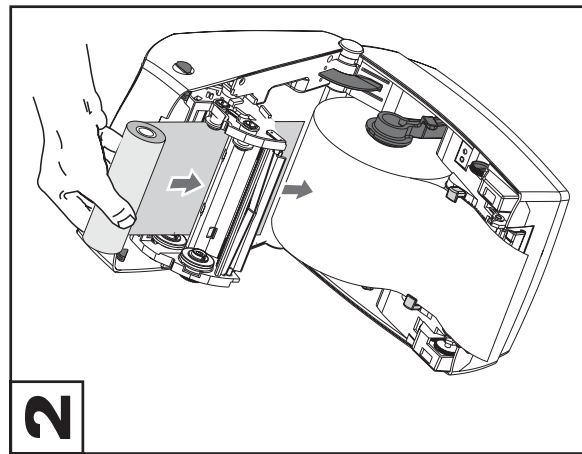
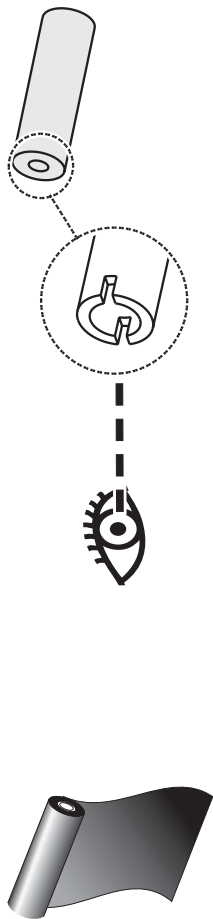
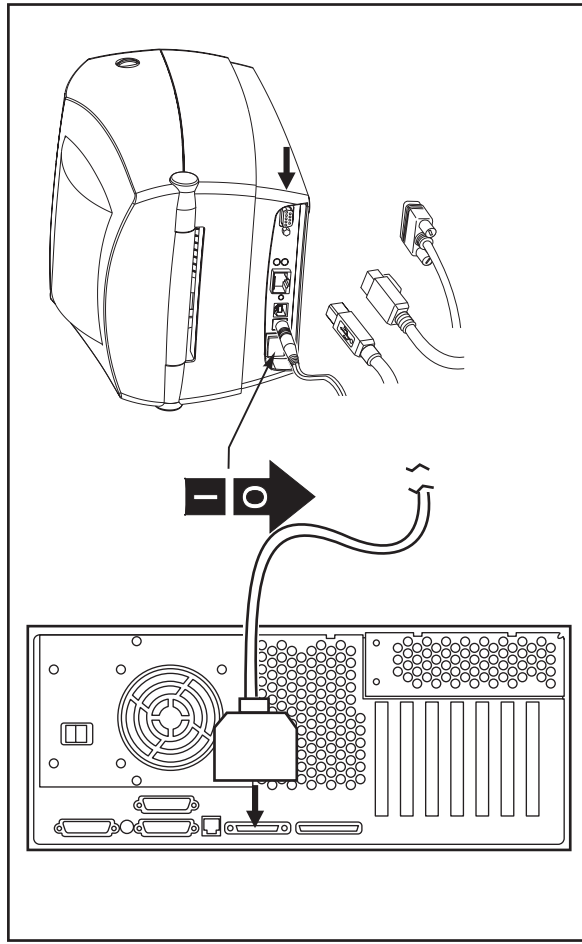
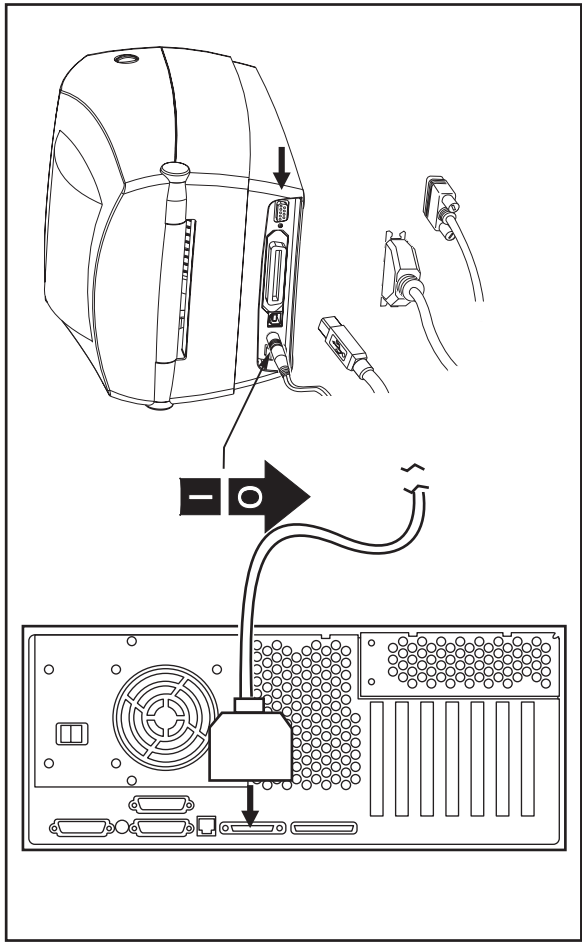


<http://www.zebra.com/>

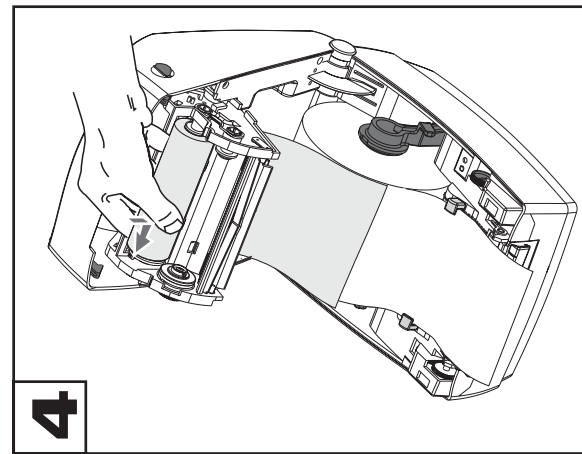
USB
LPT
10base-T COM/SER



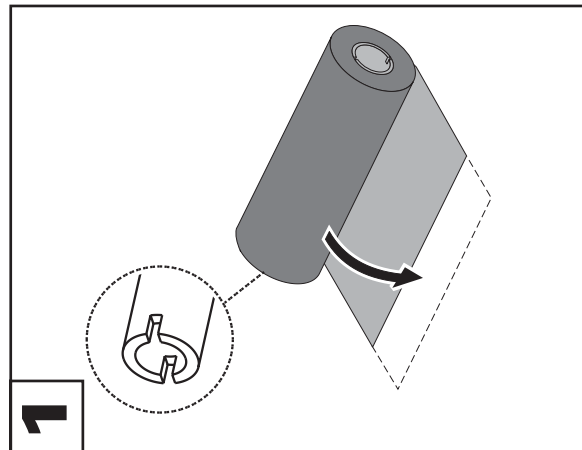
10101



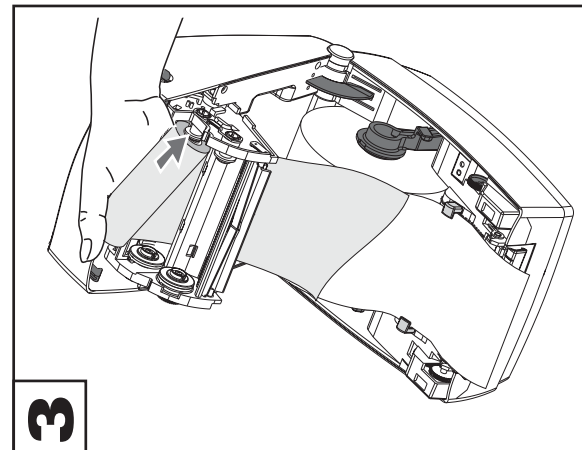
2



4



1



3

