

TC8300

Touch Computer



ZEBRA

Accessory Quick Reference Guide

Copyright

ZEBRA and the stylized Zebra head are trademarks of Zebra Technologies Corporation, registered in many jurisdictions worldwide. All other trademarks are the property of their respective owners. ©2019 Zebra Technologies Corporation and/or its affiliates. All rights reserved.

COPYRIGHTS & TRADEMARKS: For complete copyright and trademark information, go to www.zebra.com/copyright.

WARRANTY: For complete warranty information, go to www.zebra.com/warranty.

END USER LICENSE AGREEMENT: For complete EULA information, go to www.zebra.com/eula.

Terms of Use

- Proprietary Statement

This manual contains proprietary information of Zebra Technologies Corporation and its subsidiaries (“Zebra Technologies”). It is intended solely for the information and use of parties operating and maintaining the equipment described herein. Such proprietary information may not be used, reproduced, or disclosed to any other parties for any other purpose without the express, written permission of Zebra Technologies.

- Product Improvements

Continuous improvement of products is a policy of Zebra Technologies. All specifications and designs are subject to change without notice.

- Liability Disclaimer

Zebra Technologies takes steps to ensure that its published Engineering specifications and manuals are correct; however, errors do occur. Zebra Technologies reserves the right to correct any such errors and disclaims liability resulting therefrom.

- Limitation of Liability

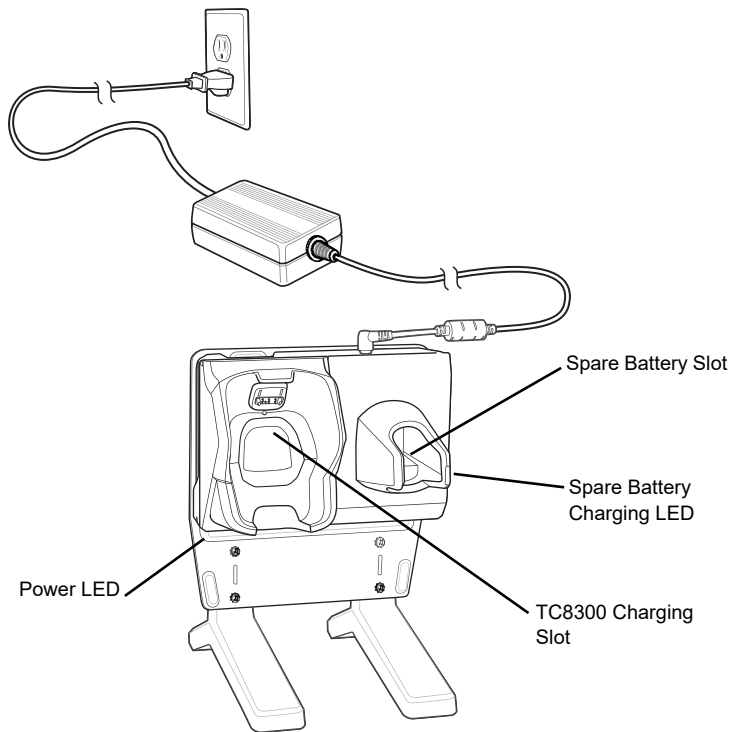
In no event shall Zebra Technologies or anyone else involved in the creation, production, or delivery of the accompanying product (including hardware and software) be liable for any damages whatsoever (including, without limitation, consequential damages including loss of business profits, business interruption, or loss of business information) arising out of the use of, the results of use of, or inability to use such product, even if Zebra Technologies has been advised of the possibility of such damages. Some jurisdictions do not allow the exclusion or limitation of incidental or consequential damages, so the above limitation or exclusion may not apply to you.

SHARECRADLE-02

2-Slot Charge Only Cradle

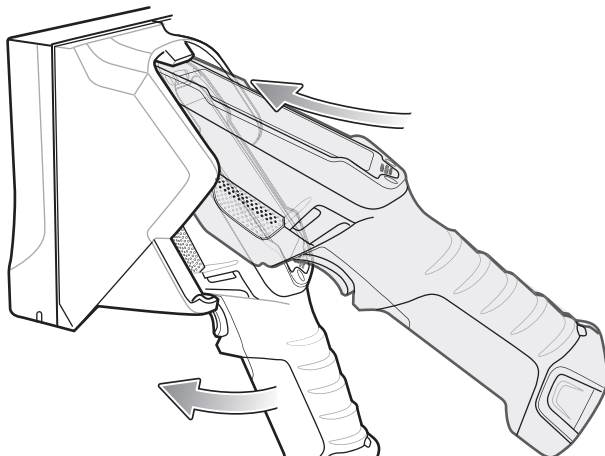
The 2-Slot Charge Only Cradle:

- provides 5 VDC (nominal) power for operating the device
- charges a spare battery.



Charging the Device

1. Insert the device into the TC8300 charge well.



2. Ensure the device is seated properly. The Charging/Scan LED blinks indicating charging.

Charging the Spare Battery

1. Insert a spare battery into the spare battery slot.
2. Ensure the battery is seated properly. The Spare Battery Charging LED blinks indicating charging.

Battery Charging

Main Battery Charging

The TC8300 Charging/Scan LED indicates the status of the battery charging in the device. See [Table 1](#). The 6,700 mAh battery charges from 0 - 90% in less than four hours at room temperature. The 7,000 mAh battery charges from 0 - 90% in less than five hours at room temperature.

Spare Battery Charging

The Spare Battery Charging LED indicates the status of the spare battery charging. The 6,700 mAh battery charges from 0 - 90% in less than four hours at room temperature. The 7,000 mAh battery charges from 0 - 90% in less than five hours at room temperature.

Table 1 LED Charging Indicators

State	Indication
Off	The device/battery is not charging. The device/battery is not inserted correctly in the cradle or connected to a power source. Cradle is not powered.
Solid Amber	Healthy battery is charging.
Solid Green	Healthy battery charging is complete.
Fast Blinking Red (2 blinks/second)	Charging error, e.g.: - Temperature is too low or too high. - Charging has gone on too long without completion (typically eight hours).
Solid Red	Unhealthy battery is charging or fully charged.

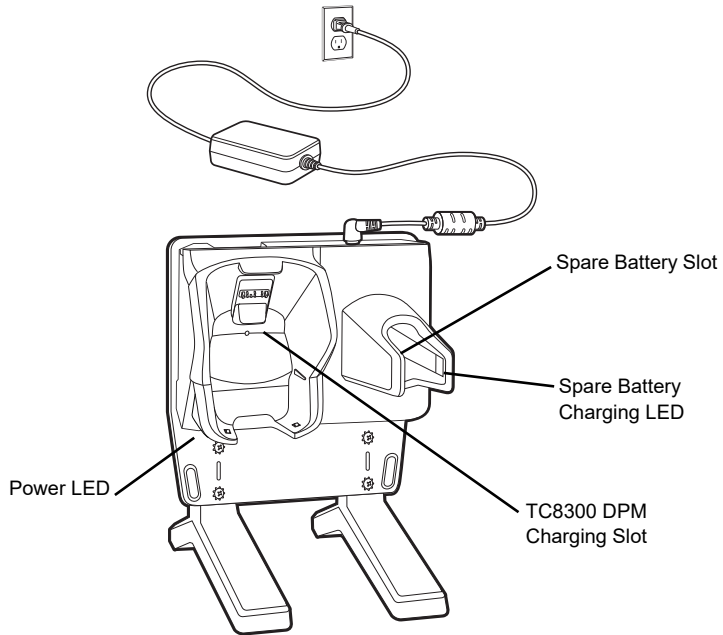
Charging Temperature

Charge batteries in temperatures from 0 °C to 40 °C (32 °F to 104 °F). The device or cradle always performs battery charging in a safe and intelligent manner. At higher temperatures (e.g. approximately +37 °C (+98 °F)) the device or cradle may for small periods of time alternately enable and disable battery charging to keep the battery at acceptable temperatures. The device and cradle indicates when charging is disabled due to abnormal temperatures via its LED.

2-Slot DPM USB Charge Only Cradle

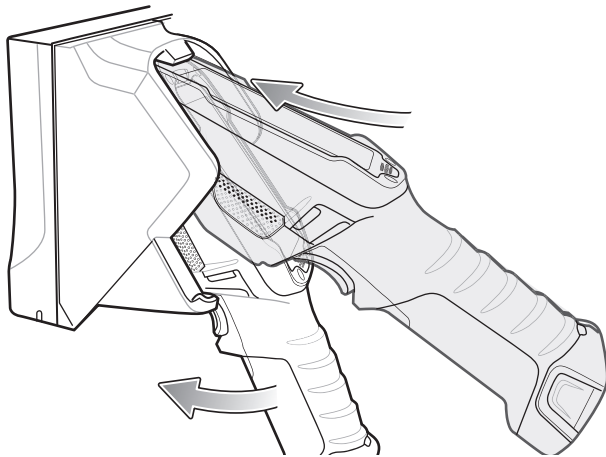
The 2-Slot DPM USB Charge Only Cradle:

- provides 5 VDC (nominal) power for operating the device
- charges a spare battery.



Charging the Device

1. Insert the device into the TC8300 charge well.



2. Ensure the device is seated properly. The Charging/Scan LED blinks indicating charging.

Charging the Spare Battery

1. Insert a spare battery into the spare battery slot.
2. Ensure the battery is seated properly. The Spare Battery Charging LED blinks indicating charging.

Battery Charging

Main Battery Charging

The TC8300 Charging/Scan LED indicates the status of the battery charging in the device. See [Table 1](#). The 6,700 mAh battery charges from 0 - 90% in less than four hours at room temperature. The 7,000 mAh battery charges from 0 - 90% in less than five hours at room temperature.

Spare Battery Charging

The Spare Battery Charging LED indicates the status of the spare battery charging. The 6,700 mAh battery charges from 0 - 90% in less than four hours at room temperature. The 7,000 mAh battery charges from 0 - 90% in less than five hours at room temperature.

Table 2 LED Charging Indicators

State	Indication
Off	The device/battery is not charging. The device/battery is not inserted correctly in the cradle or connected to a power source. Cradle is not powered.
Solid Amber	Healthy battery is charging.
Solid Green	Healthy battery charging is complete.
Fast Blinking Red (2 blinks/second)	Charging error, e.g.: - Temperature is too low or too high. - Charging has gone on too long without completion (typically eight hours).
Solid Red	Unhealthy battery is charging or fully charged.

Charging Temperature

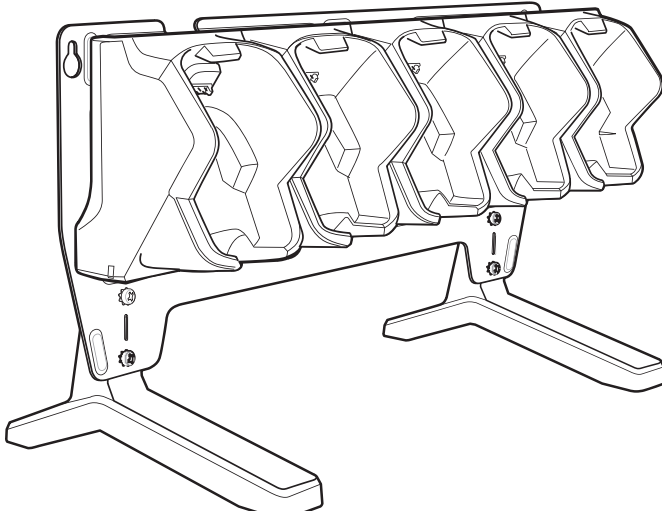
Charge batteries in temperatures from 0 °C to 40 °C (32 °F to 104 °F). The device or cradle always performs battery charging in a safe and intelligent manner. At higher temperatures (e.g. approximately +37 °C (+98 °F)) the device or cradle may for small periods of time alternately enable and disable battery charging to keep the battery at acceptable temperatures. The device and cradle indicates when charging is disabled due to abnormal temperatures via its LED.

SHARECRADLE-MC

5-Slot Charge Only Cradle

The 5-Slot Charge Only Cradle:

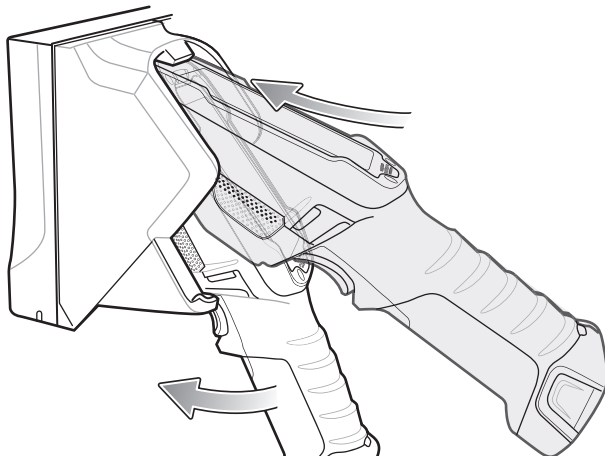
- Provides 5 VDC (nominal) power for operating the TC8300.
- Simultaneously charges up to five TC8300s.



Charging the TC8300

To Charge the TC8300:

1. Insert the TC8300 in a charge well to begin charging.



2. Ensure that the TC8300 is properly seated in the charge well.

Battery Charging

Main Battery Charging

The TC8300 Charging/Scan LED indicates the status of the battery charging in the device. See [Table 1 on page 13](#). The 6,700 mAh battery charges from 0 - 90% in less than four hours at room temperature. The 7,000 mAh battery charges from 0 - 90% in less than five hours at room temperature.

Charging Temperature

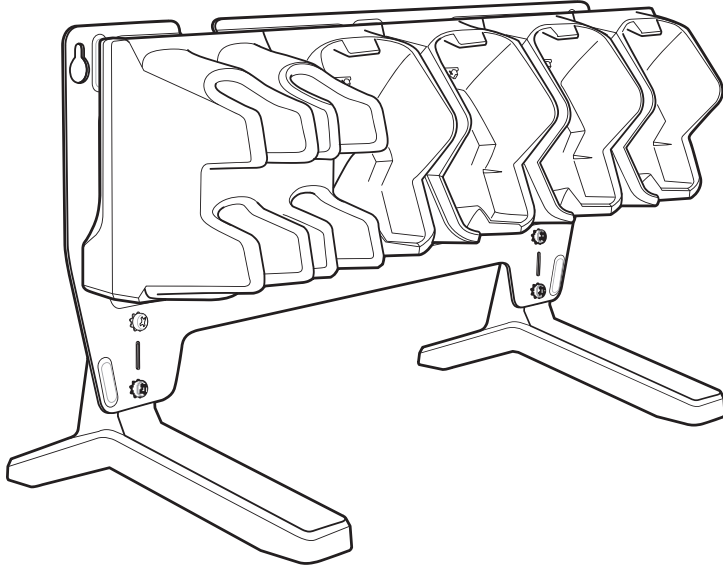
Charge batteries in temperatures from 0 °C to 40 °C (32 °F to 104 °F). The battery charger always performs battery charging in a safe and intelligent manner. At higher temperatures (e.g. approximately +37 °C (+98 °F)) the battery charger may for small periods of time alternately enable and disable battery charging to keep the battery at

acceptable temperatures. The battery charger indicates when charging is disabled due to abnormal temperatures via its LED.

5-Slot Charge Only Cradle with Battery Charger

The 5-Slot Charge Only Cradle with Battery Charger:

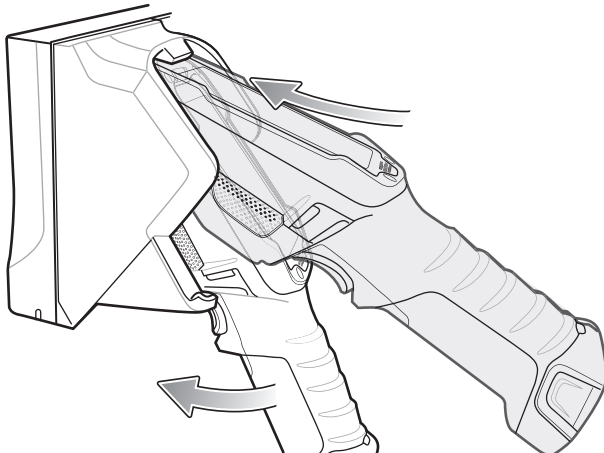
- Provides 5 VDC (nominal) power for operating the TC8300.
- Simultaneously charges up to four TC8300s.
- Simultaneously charges up to four spare batteries.



Charing the Device

To Charge the TC8300:

1. Insert the TC8300 in a charge well to begin charging.



2. Ensure that the TC8300 is properly seated in the charge well.

Charging the Spare Battery

1. Insert a spare battery into the spare battery slot.
2. Ensure the battery is seated properly. The Spare Battery Charging LED blinks indicating charging.

Battery Charging

Main Battery Charging

The TC8300 Charging/Scan LED indicates the status of the battery charging in the device. See [Table 1 on page 13](#). The The 6,700 mAh battery charges from 0 - 90% in less than four hours at room temperature. The 7,000 mAh battery charges from 0 - 90% in less than five hours at room temperature.

Spare Battery Charging

Each Battery Charging LED indicates the status of the battery charging in each slot. See [Table 1 on page 13](#). The 6,700 mAh battery charges from 0 - 90% in less than four hours at room temperature. The 7,000 mAh battery charges from 0 - 90% in less than five hours at room temperature.

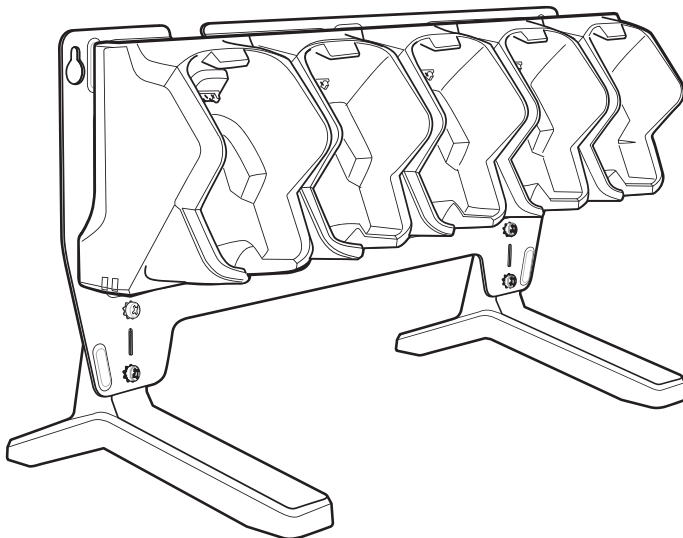
Charging Temperature

Charge batteries in temperatures from 0 °C to 40 °C (32 °F to 104 °F). The battery charger always performs battery charging in a safe and intelligent manner. At higher temperatures (e.g. approximately +37 °C (+98 °F)) the battery charger may for small periods of time alternately enable and disable battery charging to keep the battery at acceptable temperatures. The battery charger indicates when charging is disabled due to abnormal temperatures via its LED.

5-Slot Ethernet Cradle

The 5-Slot Ethernet Cradle:

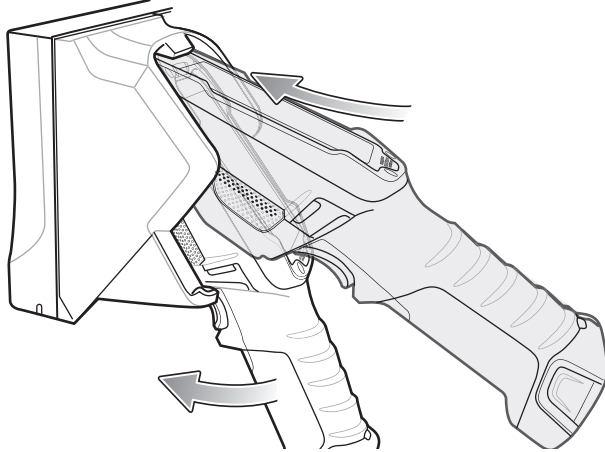
- Provides 5 VDC (nominal) power for operating the TC8300.
- Connects up to five TC8300s to an Ethernet network.
- Simultaneously charges up to five TC8300s.



Charging the TC8300

To charge the TC8300:

1. Insert the TC8300 in a charge well to begin charging.



2. Ensure that the TC8300 is properly seated in the charge well.

Battery Charging

Main Battery Charging

The TC8300 Charging/Scan LED indicates the status of the battery charging in the device. See [Table 1 on page 13](#). The 6,700 mAh battery charges from 0 - 90% in less than four hours at room temperature. The 7,000 mAh battery charges from 0 - 90% in less than five hours at room temperature.


Charging Temperature

Charge batteries in temperatures from 0 °C to 40 °C (32 °F to 104 °F). The battery charger always performs battery charging in a safe and intelligent manner. At higher temperatures (e.g. approximately +37 °C (+98 °F)) the battery charger may for small periods of time alternately enable and disable battery charging to keep the battery at acceptable temperatures. The battery charger indicates when charging is disabled due to abnormal temperatures via its LED.

Establishing Ethernet Communication



NOTE: Refer to the TC8300 Integrator Guide for information on configuring the Ethernet settings.

1. Touch .
2. Touch **Ethernet**.
3. Slide the Ethernet switch to the **ON** position.
4. Insert the device into a slot.

5. The \leftrightarrow icon appears in the Status bar.
6. Touch **Eth0** to view Ethernet connection details.

Ethernet LED Indicators

There are two green LEDs on the side of the cradle. These green LEDs light and blink to indicate the data transfer rate.

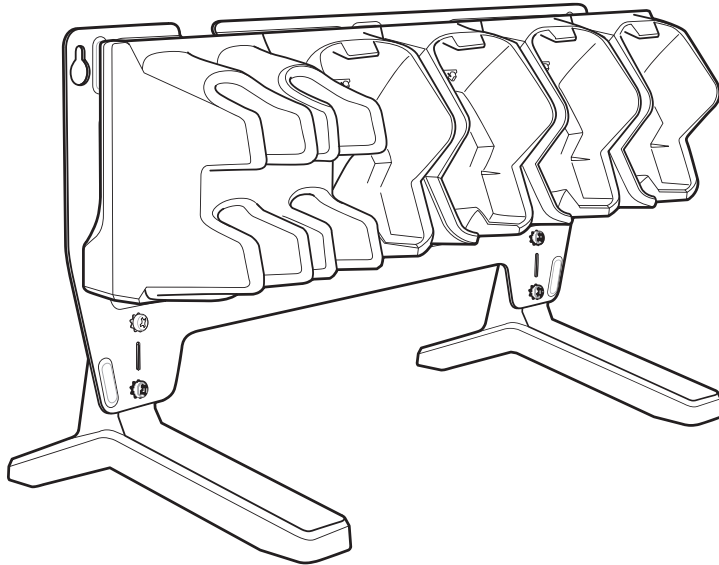
Table 3 Ethernet LED Indicators

Data Rate	1000 LED	100/10 LED
1 Gbps	On/Blink	Off
100 Mbps	Off	On/Blink
10 Mbps	Off	On/Blink

5-Slot Ethernet Cradle with Battery Charger

The 5-Slot Ethernet Cradle:

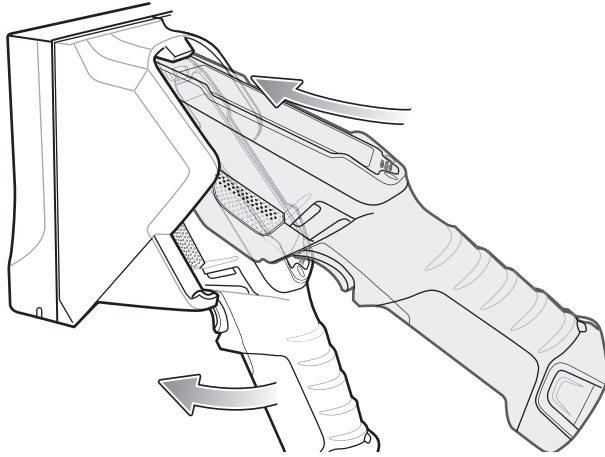
- Provides 5 VDC (nominal) power for operating the TC8300.
- Connects up to four TC8300s to an Ethernet network.
- Simultaneously charges up to four TC8300s.
- Simultaneously charges up to four spare batteries.



Charging the TC8300

To charge the TC8300:

1. Insert the TC8300 in a charge well to begin charging.



2. Ensure that the TC8300 is properly seated in the charge well.

Charging the Spare Battery

1. Insert a spare battery into the spare battery slot.
2. Ensure the battery is seated properly. The Spare Battery Charging LED blinks indicating charging.

Battery Charging

Main Battery Charging

The TC8300 Charging/Scan LED indicates the status of the battery charging in the device. See [Table 1 on page 13](#). The 6,700 mAh battery charges from 0 - 90% in less than four hours at room temperature. The 7,000 mAh battery charges from 0 - 90% in less than five hours at room temperature.

Spare Battery Charging

Each Battery Charging LED indicates the status of the battery charging in each slot. See [Table 1 on page 13](#). The 6,700 mAh battery charges from 0 - 90% in less than four hours at room temperature. The 7,000 mAh battery charges from 0 - 90% in less than five hours at room temperature.

Charging Temperature

Charge batteries in temperatures from 0 °C to 40 °C (32 °F to 104 °F). The battery charger always performs battery charging in a safe and intelligent manner. At higher temperatures (e.g. approximately +37 °C (+98 °F)) the battery charger may for small periods of time alternately enable and disable battery charging to keep the battery at acceptable temperatures. The battery charger indicates when charging is disabled due to abnormal temperatures via its LED.

Establishing Ethernet Communication



NOTE: Refer to the TC8300 Integrator Guide for information on configuring the Ethernet settings.

1. Touch .

2. Touch **Ethernet**.
3. Slide the Ethernet switch to the ON position.
4. Insert the device into a slot.
5. The \leftrightarrow icon appears in the Status bar.
6. Touch **Eth0** to view Ethernet connection details.

Ethernet LED Indicators

There are two green LEDs on the side of the cradle. These green LEDs light and blink to indicate the data transfer rate.

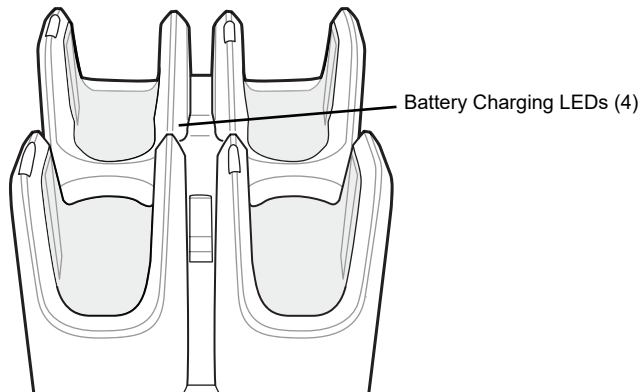
Table 4 Ethernet LED Indicators

Data Rate	1000 LED	100/10 LED
1 Gbps	On/Blink	Off
100 Mbps	Off	On/Blink
10 Mbps	Off	On/Blink

SHARECRADLE-MC

4-Slot Battery Charger

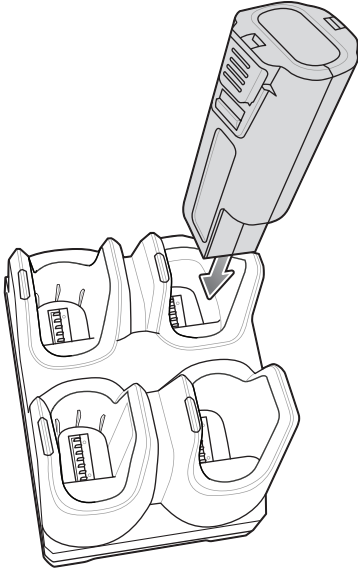
The 4-Slot Battery Charger charges up to four TC8300 batteries.



Battery Installation

To install the battery:

1. Insert the battery into a battery slot.
2. Gently press down on the battery until it snaps into place.



Battery Removal

To remove the battery, press the two release latches on each side of the battery and lift the battery out of the battery slot.

Battery Charging

Spare Battery Charging

Each Battery Charging LED indicates the status of the battery charging in each slot. See [Table 1 on page 13](#). The 6,700 mAh battery charges from 0 - 90% in less than four hours at room temperature. The 7,000 mAh battery charges from 0 - 90% in less than five hours at room temperature.

Charging Temperature

Charge batteries in temperatures from 0 °C to 40 °C (32 °F to 104 °F). The battery charger always performs battery charging in a safe and intelligent manner. At higher temperatures (e.g. approximately +37 °C (+98 °F)) the battery charger may for small periods of time alternately enable and disable battery charging to keep the battery at acceptable temperatures. The battery charger indicates when charging is disabled due to abnormal temperatures via its LED.

