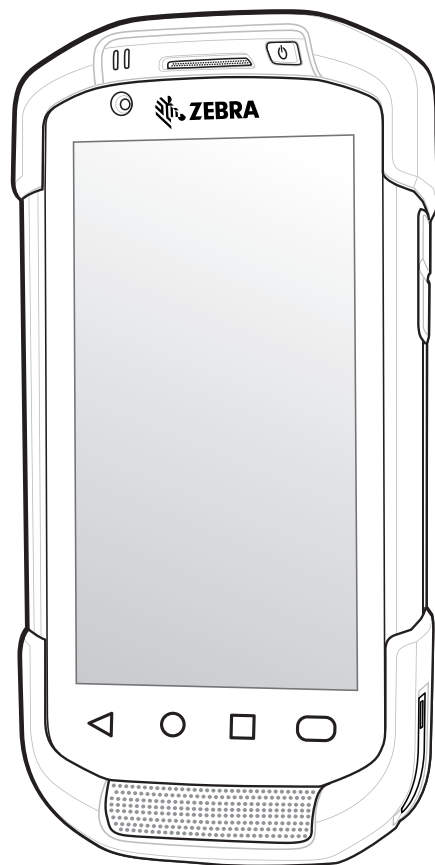


TC70x/TC75x

Touch Computer



Quick Start Guide



ZEBRA

ZEBRA and the stylized Zebra head are trademarks of Zebra Technologies Corporation, registered in many jurisdictions worldwide. All other trademarks are the property of their respective owners. © 2019 Zebra Technologies Corporation and/or its affiliates. All rights reserved.

Information in this document is subject to change without notice. The software described in this document is furnished under a license agreement or nondisclosure agreement. The software may be used or copied only in accordance with the terms of those agreements.

For further information regarding legal and proprietary statements, please go to:

SOFTWARE: <http://www.zebra.com/linkoslegal>

COPYRIGHTS: <http://www.zebra.com/copyright>

WARRANTY: <http://www.zebra.com/warranty>

END USER LICENSE AGREEMENT: <http://www.zebra.com/eula>

Terms of Use

Proprietary Statement

This manual contains proprietary information of Zebra Technologies Corporation and its subsidiaries (“Zebra Technologies”). It is intended solely for the information and use of parties operating and maintaining the equipment described herein. Such proprietary information may not be used, reproduced, or disclosed to any other parties for any other purpose without the express, written permission of Zebra Technologies.

Product Improvements

Continuous improvement of products is a policy of Zebra Technologies. All specifications and designs are subject to change without notice.

Liability Disclaimer

Zebra Technologies takes steps to ensure that its published Engineering specifications and manuals are correct; however, errors do occur. Zebra Technologies reserves the right to correct any such errors and disclaims liability resulting therefrom.

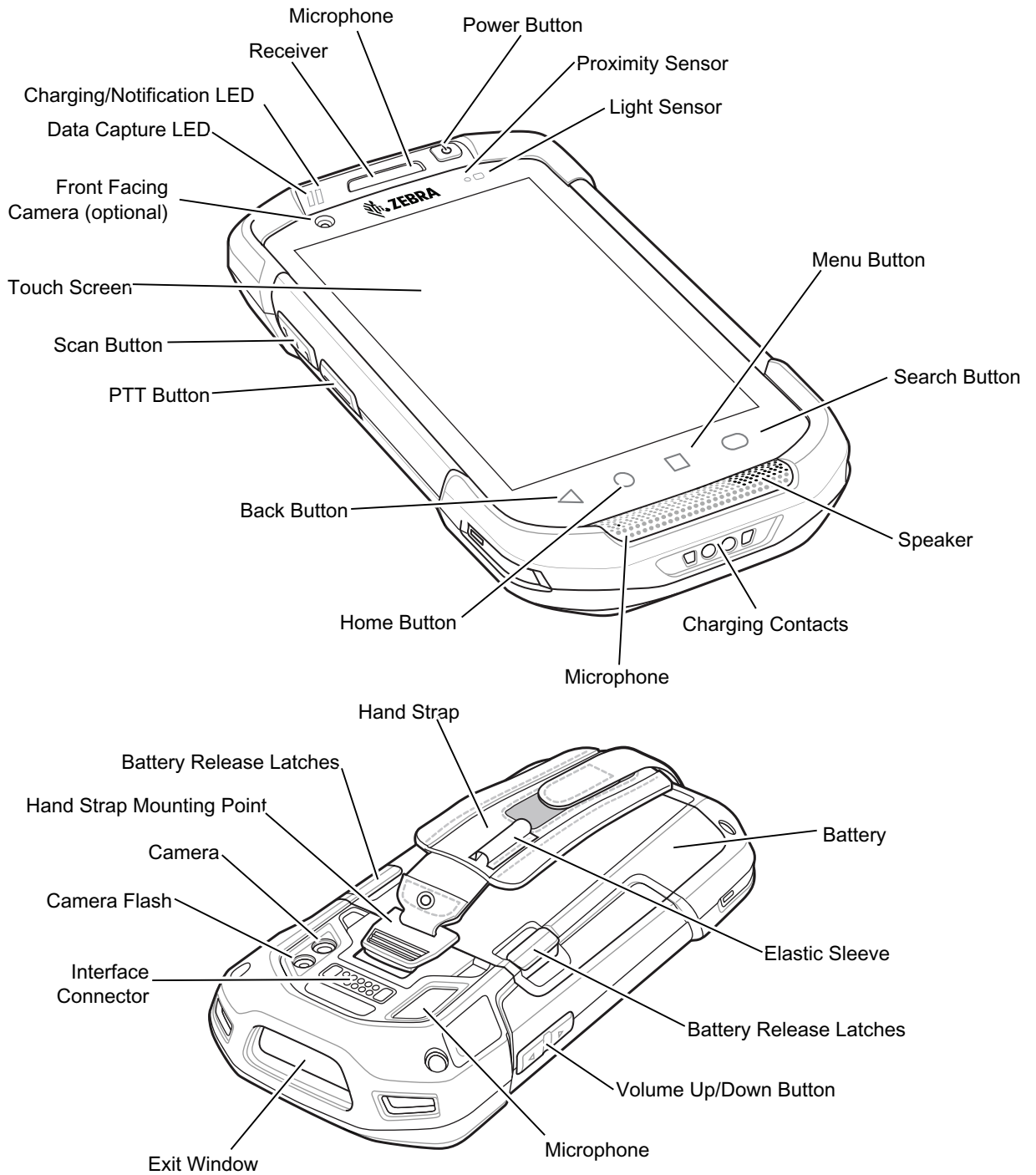
Limitation of Liability

In no event shall Zebra Technologies or anyone else involved in the creation, production, or delivery of the accompanying product (including hardware and software) be liable for any damages whatsoever (including, without limitation, consequential damages including loss of business profits, business interruption, or loss of business information) arising out of the use of, the results of use of, or inability to use such product, even if Zebra Technologies has been advised of the possibility of such damages. Some jurisdictions do not allow the exclusion or limitation of incidental or consequential damages, so the above limitation or exclusion may not apply to you.

Publication Date

July 17, 2019

Features



Installing the SIM Card



NOTE: A SIM card is only required on the TC75x.

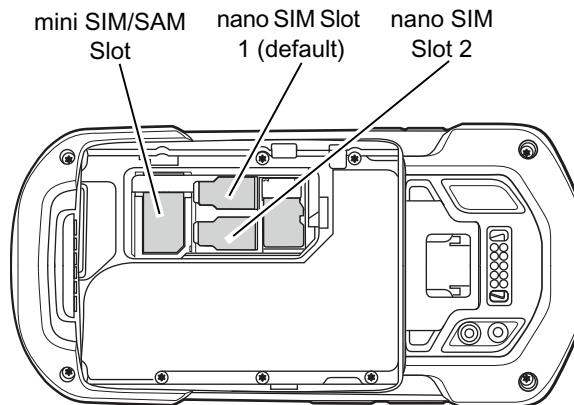


CAUTION: For proper electrostatic discharge (ESD) precautions to avoid damaging the SIM card. Proper ESD precautions include, but not limited to, working on an ESD mat and ensuring that the user is properly grounded.

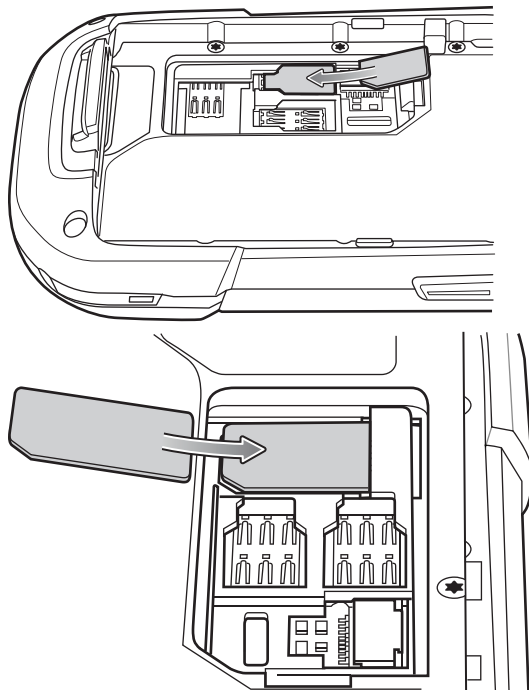


NOTE: The TC75x may contain one mini SIM slot and two nano SIM slots. If using a micro SIM card, a third-party SIM adapter is required. By default, use a nano SIM card in slot 1.

1. Remove access cover.



2. Insert a SIM card into the SIM slot with the cut edge toward the middle of the device and the contacts facing down.



3. Ensure that the SIM card is seated properly.

Installing the SAM Card

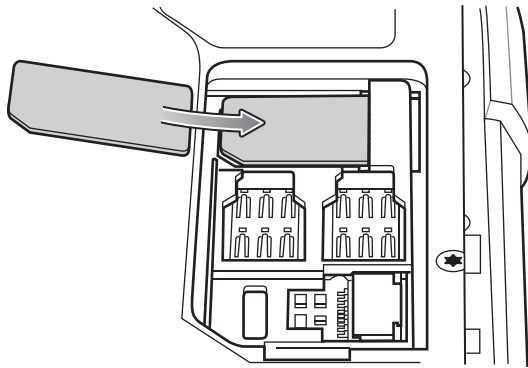


CAUTION: For proper electrostatic discharge (ESD) precautions to avoid damaging the Secure Access Module (SAM) card. Proper ESD precautions include, but not limited to, working on an ESD mat and ensuring that the user is properly grounded.



NOTE: The device contains one slot for a mini SAM card. If using a micro SAM card, a third-party adapter is required. When using a SAM card, only a nano SIM card can be used.

1. Remove access cover.
2. Insert a SAM card into the SAM slot with the cut edge toward the middle of the device and the contacts facing down.



3. Ensure that the SAM card is seated properly.

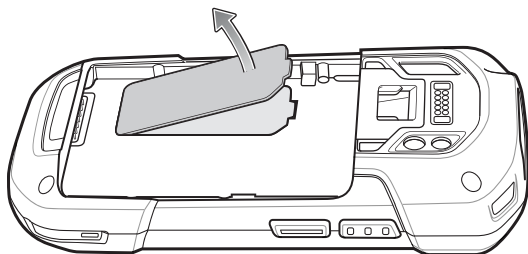
Installing a microSD Card

The microSD card slot provides secondary non-volatile storage. The slot is located under the battery pack. Refer to the documentation provided with the card for more information, and follow the manufacturer's recommendations for use.

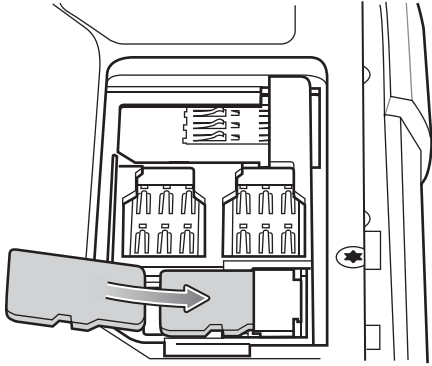


CAUTION: Follow proper electrostatic discharge (ESD) precautions to avoid damaging the microSD card. Proper ESD precautions include, but are not limited to, working on an ESD mat and ensuring that the operator is properly grounded.

1. Remove the hand strap, if installed.
2. Lift the access door.



3. Insert the microSD card into the card holder door ensuring that the card slides into the holding tabs on each side of the door.



4. Re-install the access door.

Installing the Hand Strap and Battery

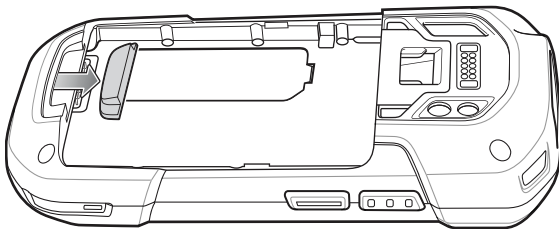


NOTE: User modification of the device, particularly in the battery well, such as labels, asset tags, engravings, stickers, etc., may compromise the intended performance of the device or accessories. Performance levels such as sealing (Ingress Protection (IP)), impact performance (drop and tumble), functionality, temperature resistance, etc. could be effected. **DO NOT** put any labels, asset tags, engravings, stickers, etc. in the battery well.

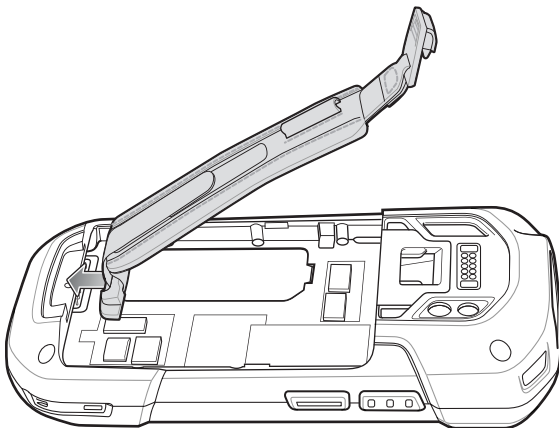


NOTE: Installation of the hand strap is optional. Skip this section if not installing the hand strap.

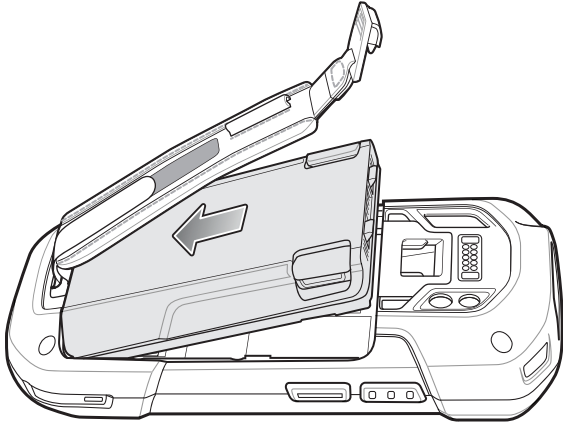
1. Remove the hand strap filler from the hand strap slot. Store the hand strap filler in a safe place for future replacement.



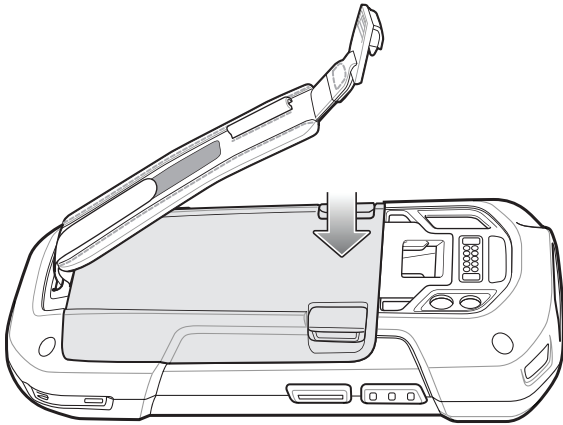
2. Insert the hand strap plate into the hand strap slot.



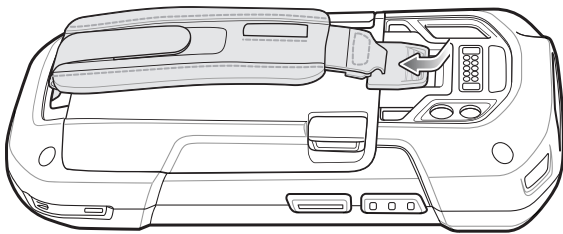
3. Insert the battery, bottom first, into the battery compartment in the back of the device.



4. Rotate the top of the battery into the battery compartment.
5. Press the battery down into the battery compartment until the battery release latches snap into place.



6. Place hand strap clip into hand strap mounting slot and pull down until it snaps into place.

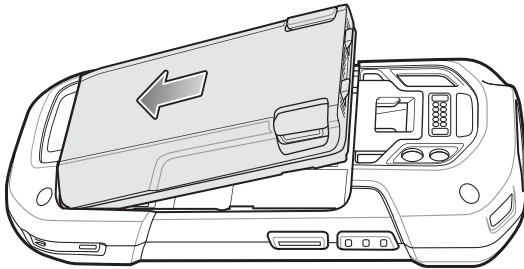


Installing the Battery

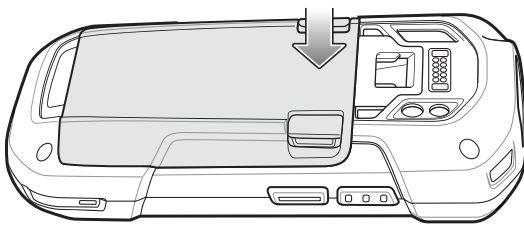


NOTE: User modification of the device, particularly in the battery well, such as labels, asset tags, engravings, stickers, etc., may compromise the intended performance of the device or accessories. Performance levels such as sealing (Ingress Protection (IP)), impact performance (drop and tumble), functionality, temperature resistance, etc. could be effected. DO NOT put any labels, asset tags, engravings, stickers, etc. in the battery well.

1. Insert the battery, bottom first, into the battery compartment in the back of the device.



2. Rotate the top of the battery into the battery compartment.
3. Press the battery down into the battery compartment until the battery release latches snap into place.



Charging the Device

Use one of the following accessories to charge the device and/or spare battery.

Table 1 Charging and Communication

Description	Part Number	Charging		Communication	
		Battery (In Device)	Spare Battery	USB	Ethernet
2-Slot Charge Only Cradle	CRD-TC7X-SE2CPP-01	Yes	Yes	Yes	No
2-Slot USB/Ethernet Cradle	CRD-TC7X-SE2EPP-01	Yes	Yes	Yes	Yes
5-Slot Charge Only Cradle	CRD-TC7X-SE5C1-01	Yes	No	No	No
4-Slot Charge Only Cradle with Battery Charger	CRD-TC7X-SE5KPP-01	Yes	Yes	No	No
5-Slot Ethernet Cradle	CRD-TC7X-SE5EU1-01	Yes	No	No	Yes

Table 1 Charging and Communication

Description	Part Number	Charging		Communication	
		Battery (In Device)	Spare Battery	USB	Ethernet
4-Slot Spare Battery Charger	SAC-TC7X-4BTYPP-01	No	Yes	No	No
Snap-On USB Cable	CBL-TC7X-CBL1-01	Yes	No	Yes	No
Charging Cable Cup	CHG-TC7X-CLA1-01	Yes	No	Yes	No

Charging the TC70x/TC75x



NOTE: Ensure that you follow the guidelines for battery safety described in the TC70x/75x User Guide.

1. Insert the TC70x/TC75x into the charging slot or connect the USB Charge cable to the TC70x/TC75x.
2. Ensure the TC70x/TC75x is seated properly.

The Notification/Charge LED lights amber while charging, then turns solid green when fully charged. See [Table 2](#) for charging indicators.

The 4,620 mAh battery fully charges in less than five hours at room temperature.

Table 2 Charging/Notification LED Charging Indicators

State	Indication
Off	The device is not charging. The device is not inserted correctly in the cradle or connected to a power source. Charger/cradle is not powered.
Slow Blinking Amber (1 blink every 4 seconds)	The device is charging.
Solid Green	Charging complete.
Fast Blinking Amber (2 blinks/second)	Charging error, e.g.: <ul style="list-style-type: none"> • Temperature is too low or too high. • Charging has gone on too long without completion (typically eight hours).
Slow Blinking Red (1 blink every 4 seconds)	The device is charging but the battery is at end of useful life.
Solid Red	Charging complete but the battery is at end of useful life.
Fast Blinking Red (2 blinks/second)	Charging error but the battery is at end of useful life., e.g.: <ul style="list-style-type: none"> • Temperature is too low or too high. • Charging has gone on too long without completion (typically eight hours).

Charging the Spare Battery

1. Insert a spare battery into the spare battery slot.

2. Ensure the battery is seated properly.

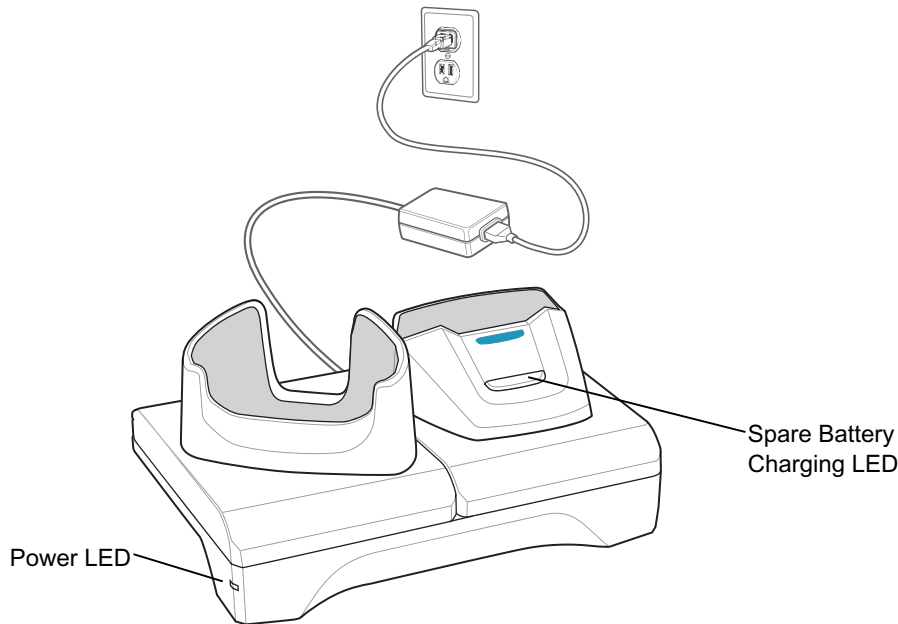
The Spare Battery Charging LED blinks indicating charging. See [Table 3](#) for charging indicators. The 4,620 mAh battery fully charges in less than five hours at room temperature.

Table 3 Spare Battery Charging LED Indicators

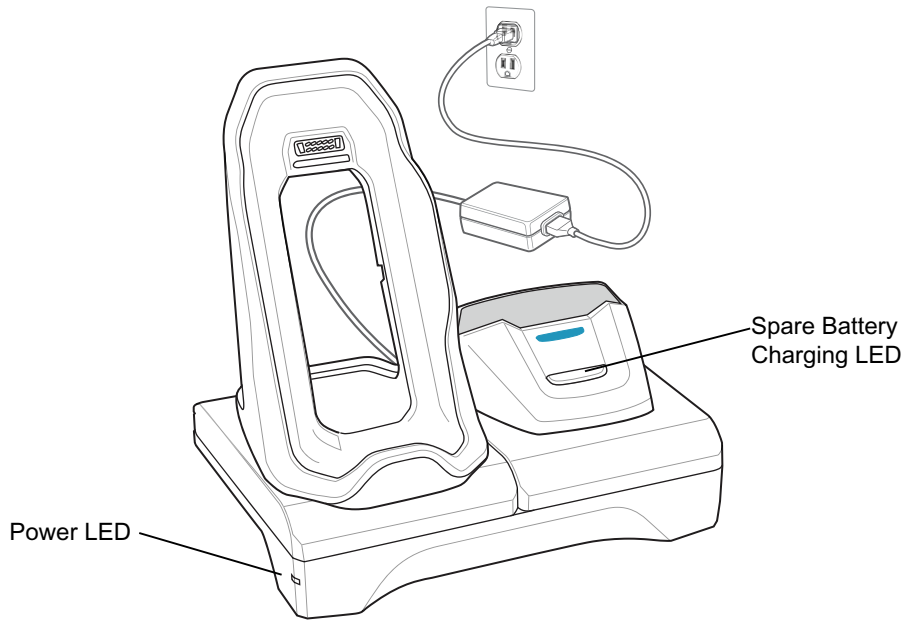
State	Indication
Off	The battery is not charging. The battery is not inserted correctly in the cradle or connected to a power source. Cradle is not powered.
Solid Amber	Battery is charging.
Solid Green	Battery charging is complete.
Fast Blinking Red (2 blinks/second)	Charging error, e.g.: - Temperature is too low or too high. - Charging has gone on too long without completion (typically eight hours).
Solid Red	Unhealthy battery is charging or fully charged.

Charge batteries in temperatures from 0°C to 40°C (32°F to 104°F). The device or cradle always performs battery charging in a safe and intelligent manner. At higher temperatures (e.g. approximately +37°C (+98°F)) the device or cradle may for small periods of time alternately enable and disable battery charging to keep the battery at acceptable temperatures. The device and cradle indicates when charging is disabled due to abnormal temperatures via its LED.

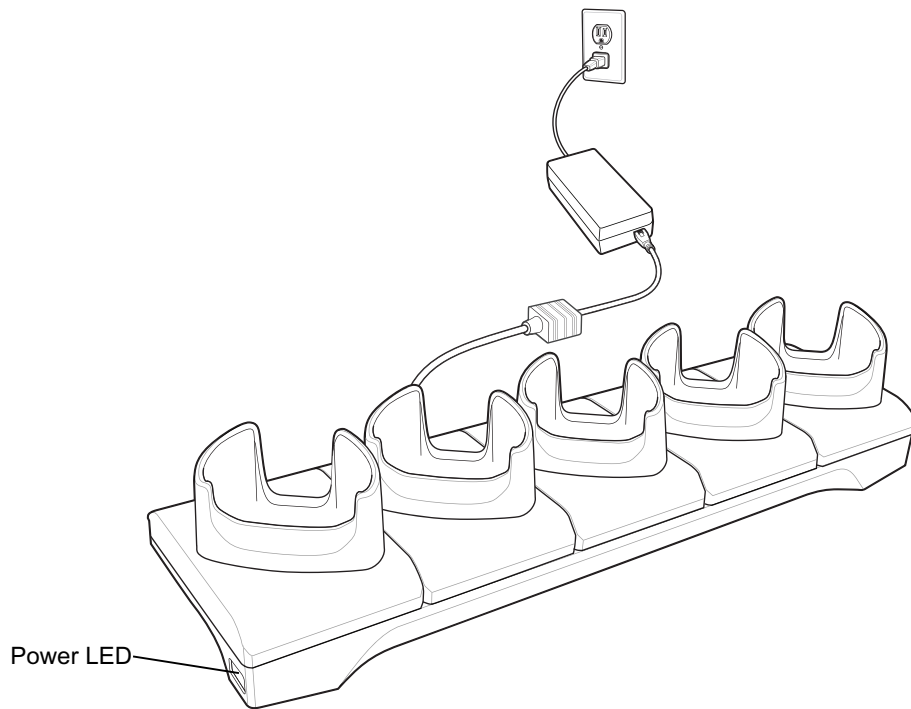
2-Slot Charging Only Cradle



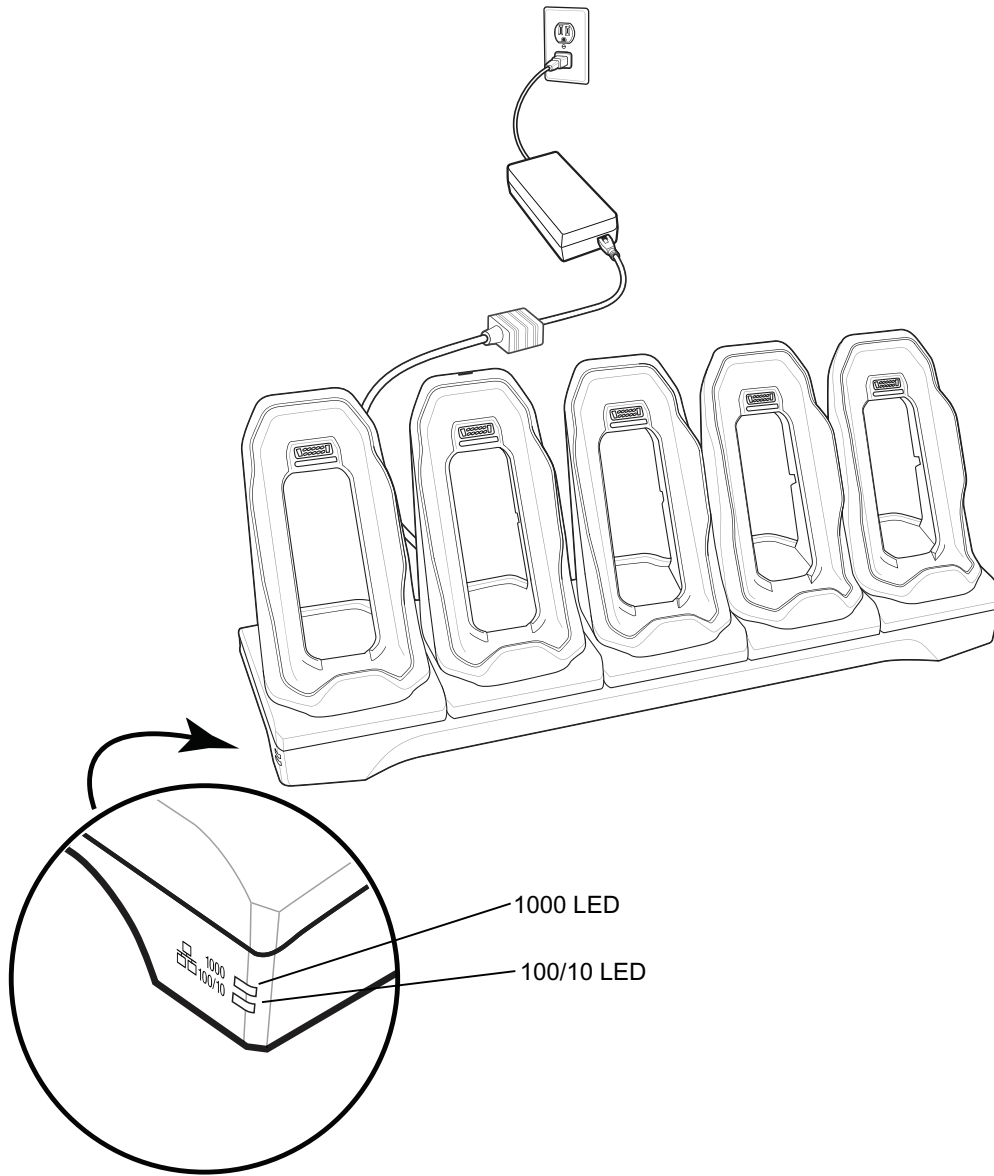
2-Slot USB/Ethernet Cradle



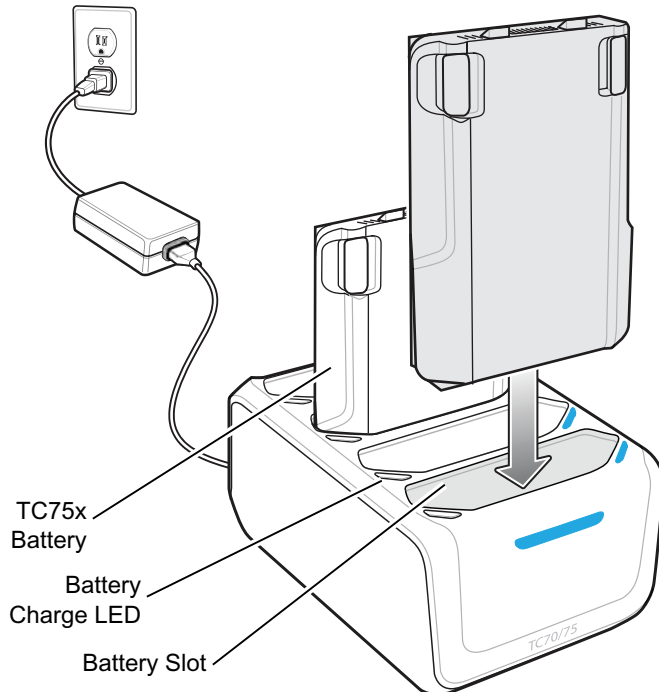
5-Slot Charge Only Cradle



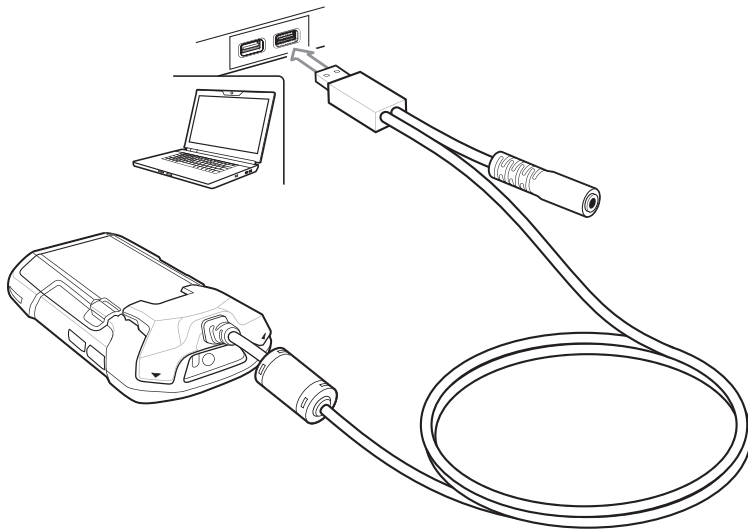
5-Slot Ethernet Cradle



4-Slot Battery Charger



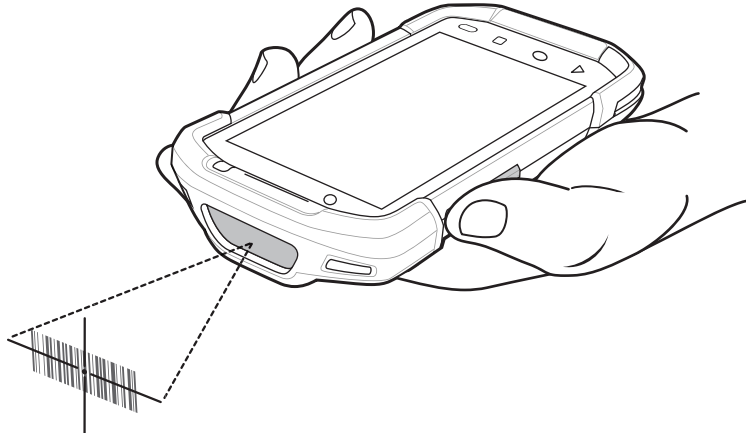
Snap-On USB Cable



Imager Scanning

To read a bar code, a scan-enabled application is required. The device contains the DataWedge application that allows the user to enable the imager, decode the bar code data and display the bar code content.

1. Ensure that an application is open on the device and a text field is in focus (text cursor in text field).
2. Point the exit window on the top of the device at a bar code.



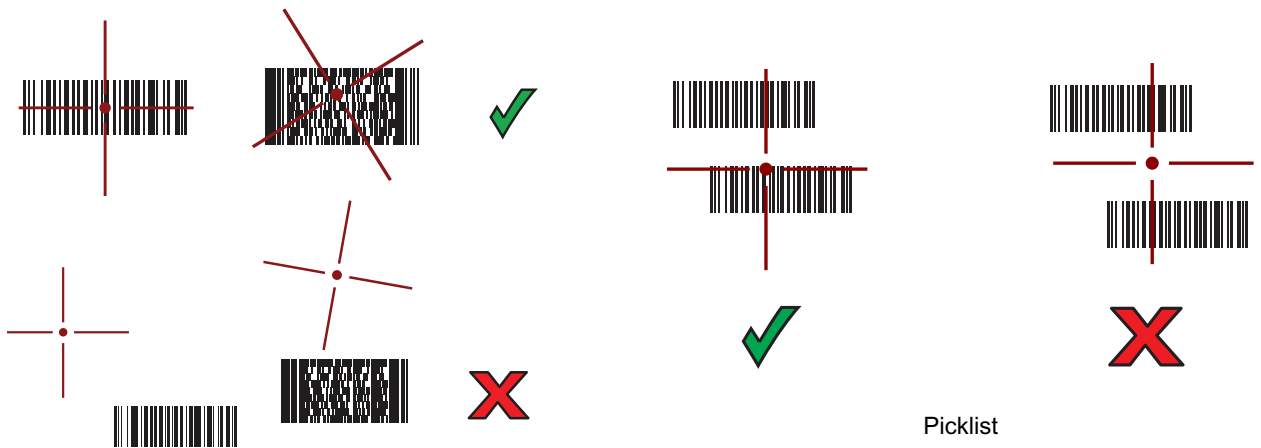
3. Press and hold the scan button.

The red laser aiming pattern turns on to assist in aiming.



NOTE: When the device is in Picklist mode, the imager does not decode the bar code until the crosshair or aiming dot touches the bar code.

4. Ensure the bar code is within the area formed by the crosshairs in the aiming pattern. The aiming dot is used for increased visibility in bright lighting conditions.



5. The Data Capture LED lights green and a beep sounds, by default, to indicate the bar code was decoded successfully.
6. Release the scan button.



NOTE: Imager decoding usually occurs instantaneously. The device repeats the steps required to take a digital picture (image) of a poor or difficult bar code as long as the scan button remains pressed.

7. The bar code content data displays in the text field.

