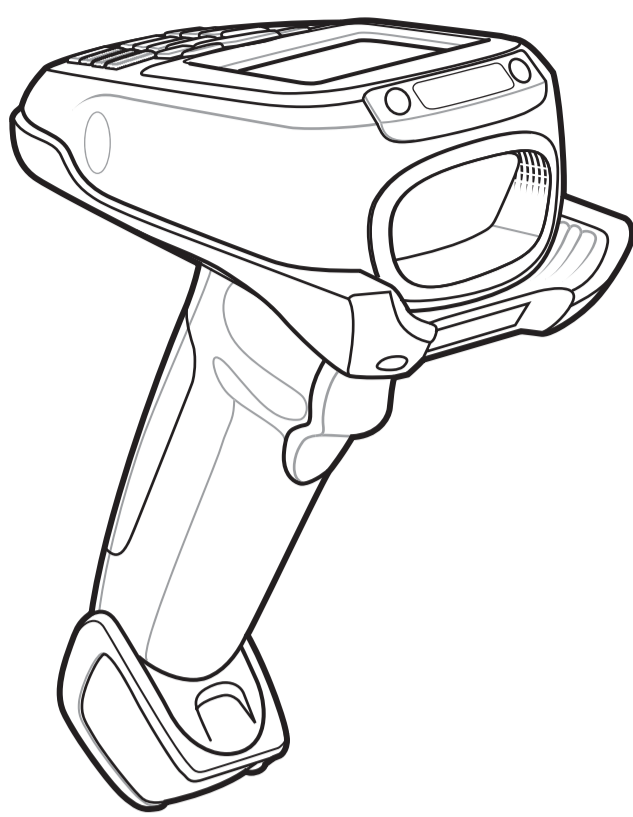


# MT2000 Series

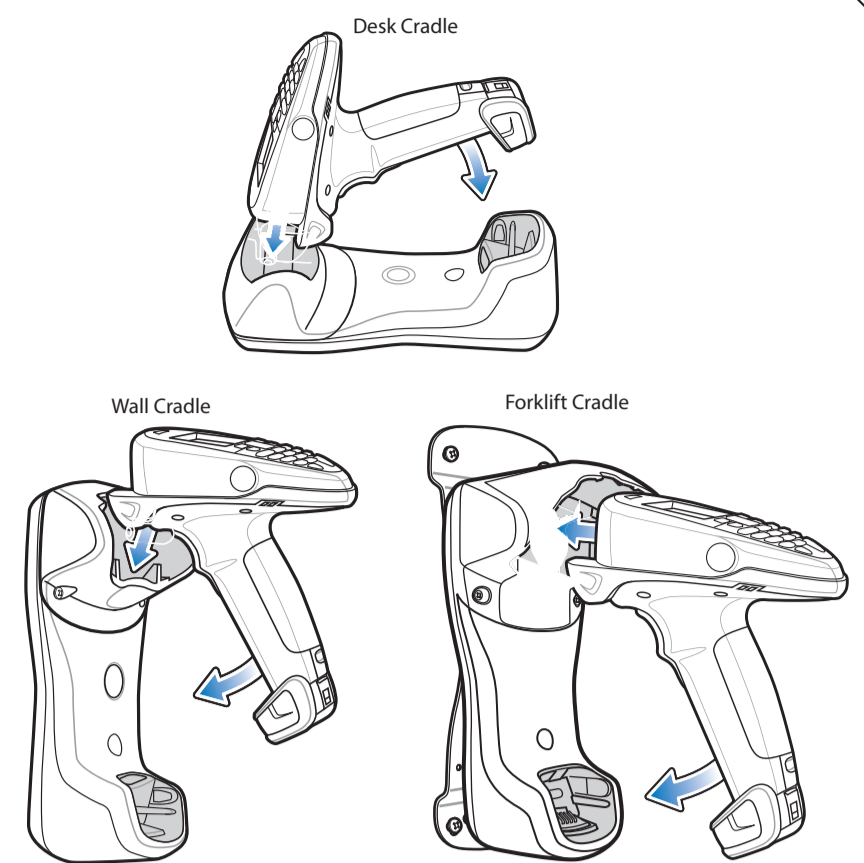
## Quick Start Guide

<http://www.zebra.com/mt2000> Refer to User Guide for detailed information

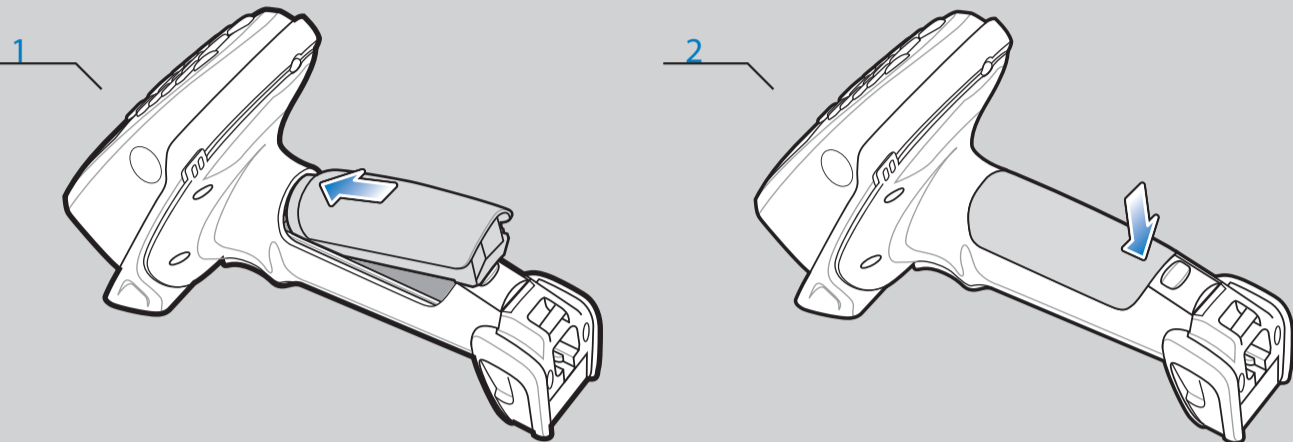
POST IN WORK AREA



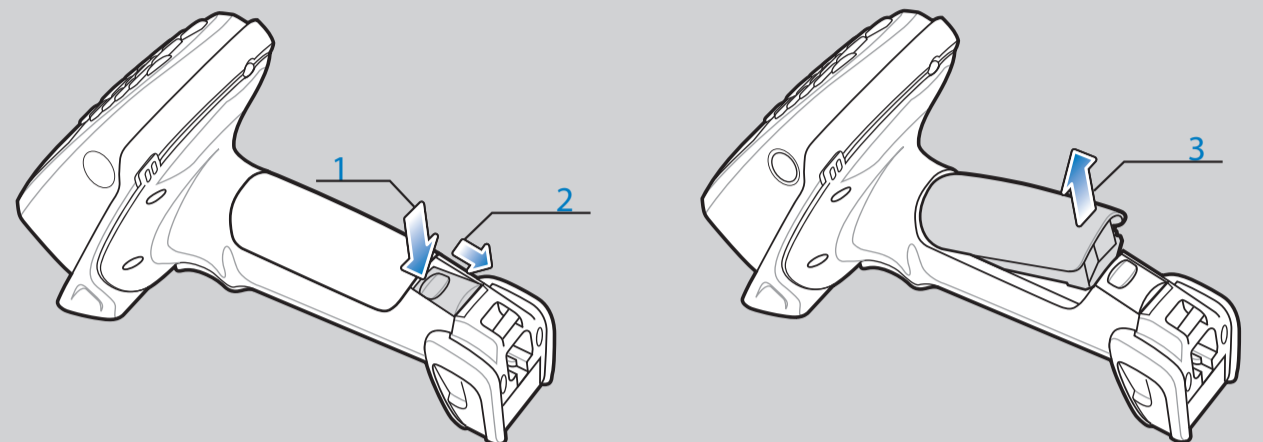
### Insert Scanner in Cradle



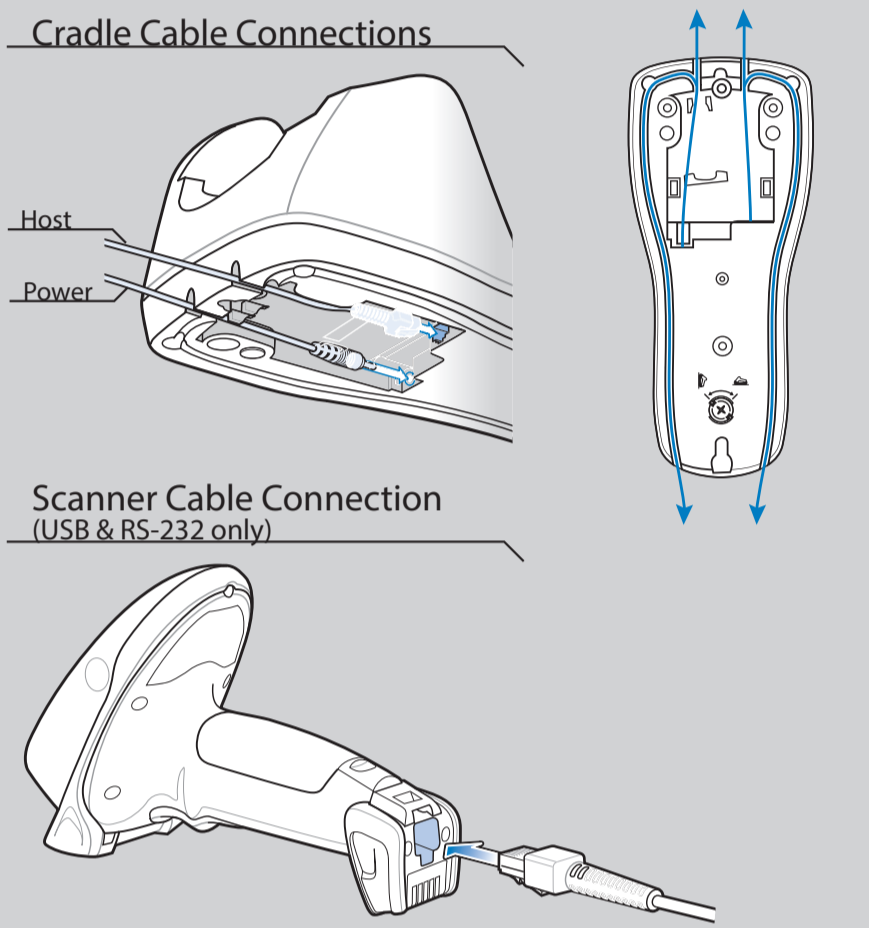
## BATTERY INSERTION



## BATTERY REMOVAL

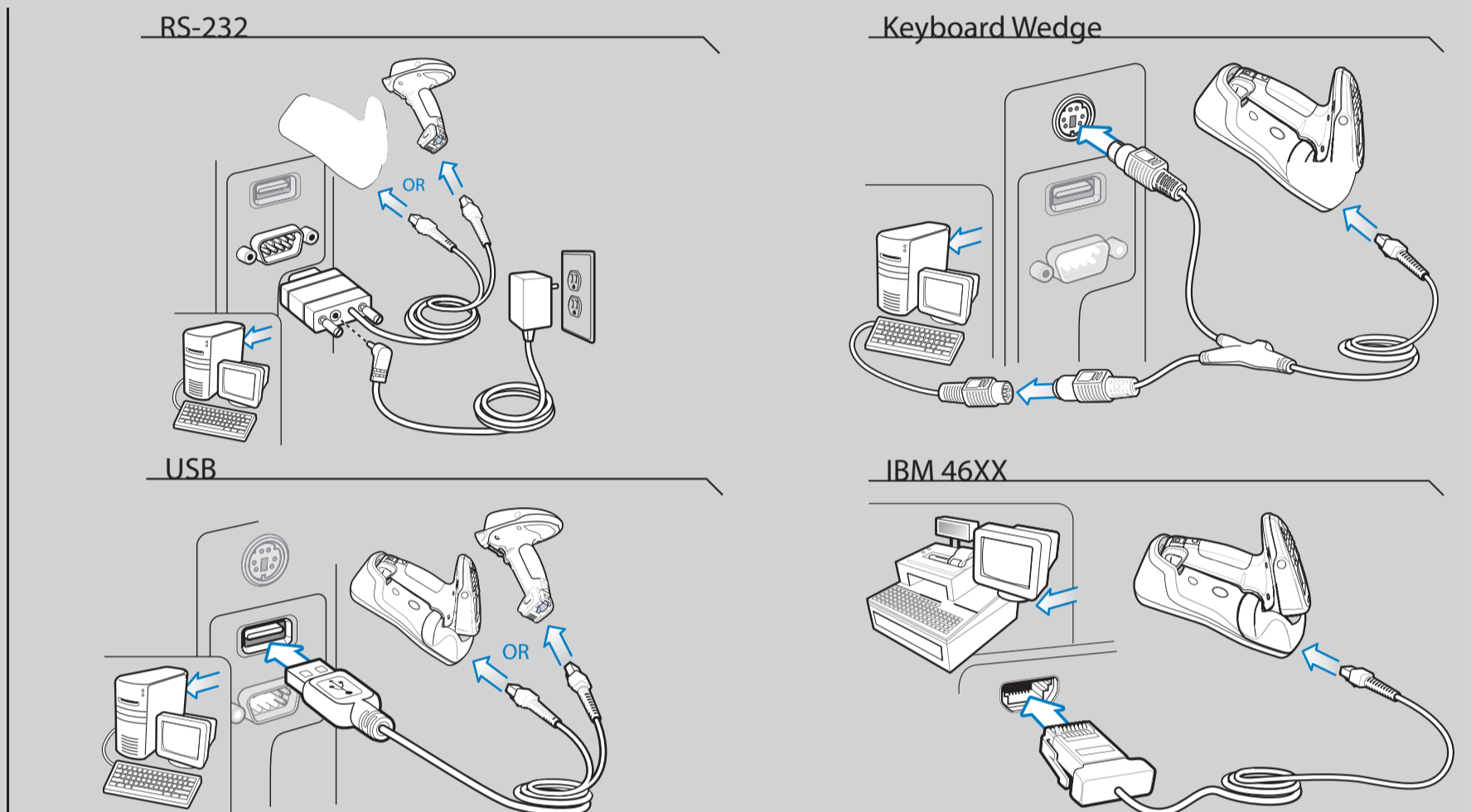


## CONNECTIONS



NOTE: Cables may vary depending on configuration. When using an external power supply, insert the power cable into the cradle first, then insert the host cable. Connect the power cable to an AC outlet last.

## HOST INTERFACES



## TROUBLESHOOTING

Refer to the MT2000 Series User Guide Troubleshooting section for further information.

### Scanner not working

No power to scanner  
Check battery

NOTE: Under certain circumstances, a fully discharged battery can take up to 30 minutes to charge before the scanner is operational. Refer to the User Guide for detailed information.

### Scanner not decoding bar code

Scanner not programmed for bar code type  
Ensure scanner is programmed to read type of bar code being scanned

Bar code unreadable  
Ensure bar code is not defaced; try scanning test bar code of same bar code type

Scanning application is not running  
From the Home screen display on the scanner, select Scan Item to run the scanning application

### Scanner decoding bar code, but data not transmitting to host

Scanner not paired to host-connected cradle  
Pair the scanner to the cradle (using the PAIR bar code on the cradle)

Cradle not programmed for correct host interface  
Check scanner host parameters or edit options

Interface cable is loose  
Check for loose cable connections

### Scanned data incorrectly displayed on host

Paired cradle host communication parameters do not match the host's parameters  
Check cradle host parameters or edit options

NOTE: If data is still not transmitting to host, it may be necessary to recycle power on the cradle.

## MT2000 SERIES PROGRAMMING BAR CODES

### Host Types

#### RS-232 Host Types



#### USB Host Types



#### Keyboard Wedge Host Types



#### Radio Communications Host Types



#### IBM 46XX Host Types



### Host Mode



### Miscellaneous

