

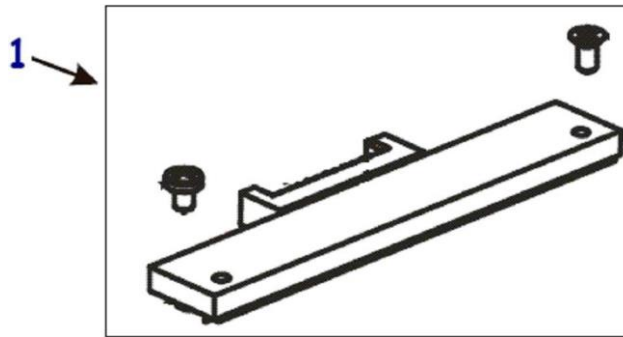


KR403 Parts Catalog



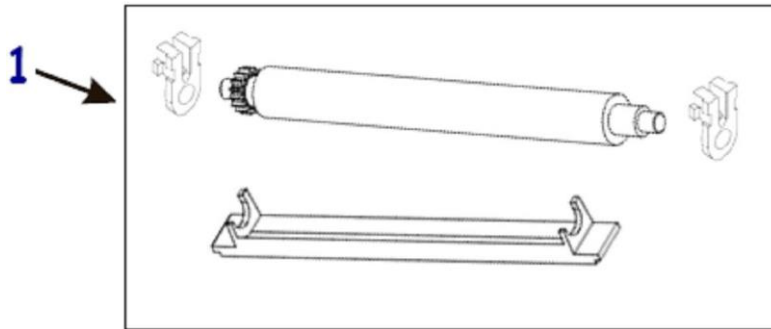
KR403 Parts Catalog

Printhead



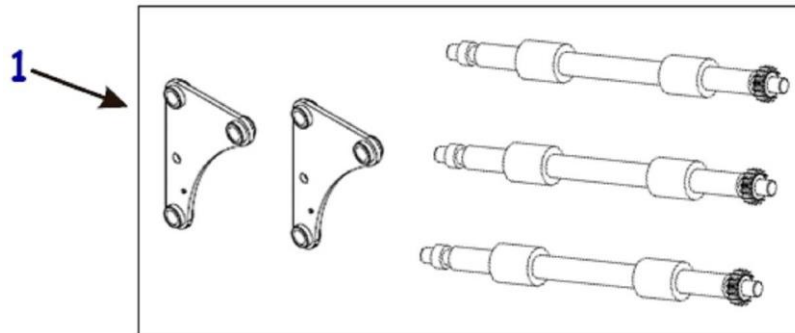
Item Number	Description	Part Number	Kit Quantity
1	Kit Printhead KR403	P1015397	1
	Kit Cable for Printhead KR403 (Qty of 3)	P1015399	3

Platen Roller



Item Number	Description	Part Number	Kit Quantity
1	Kit Platen Roller KR403 (Qty of 3)	P1015402	3

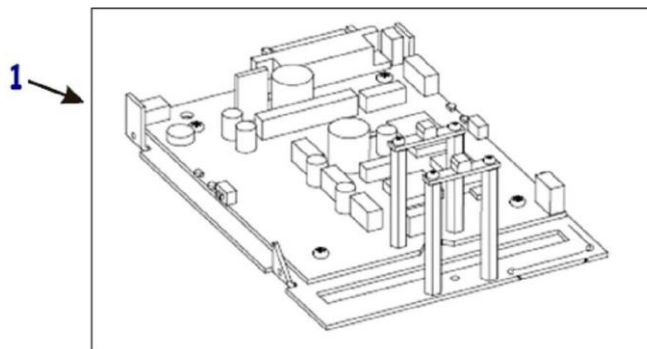
Feed Rollers



Item Number	Description	Part Number	Kit Quantity
1	Kit Feed Rollers KR403 (Qty of 3)	P1015409	3

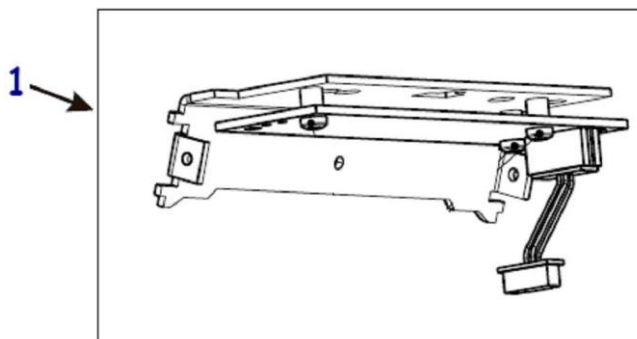
KR403 Parts Catalog

Main Logic Board



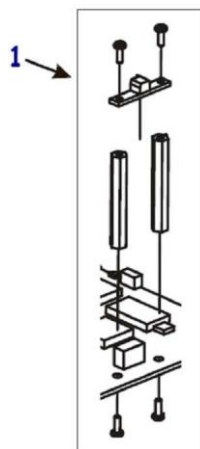
Item Number	Description	Part Number	Kit Quantity
1	Kit Main Logic Board 64MB Serial & USB KR403	P1015418	1
1	Kit Main Logic Board 64MB Ethernet KR403	P1029654	1

Media Sensor



Item Number	Description	Part Number	Kit Quantity
1	Kit Media Sensor Board KR403	P1029655	1

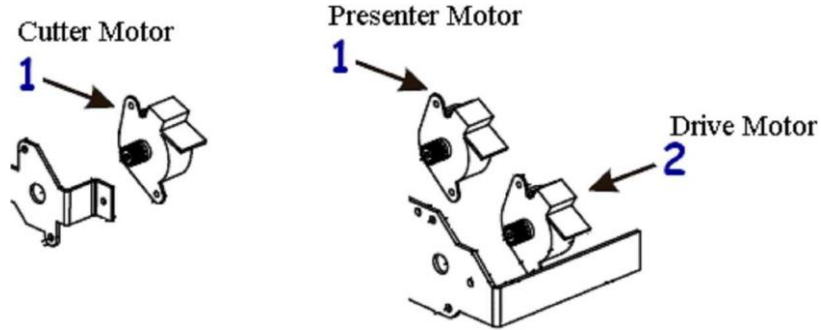
Presenter and Retract Sensors



Item Number	Description	Part Number	Kit Quantity
1	Kit Presenter & Retract Media Sensors KR403 (Qty of 2)	P1015429	2

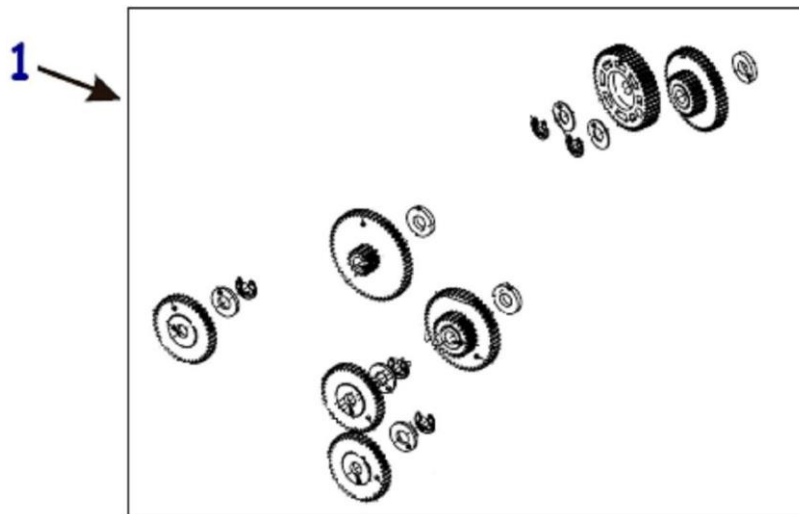
KR403 Parts Catalog

Drive Motors



Item Number	Description	Part Number	Kit Quantity
1	Kit Cutter and Presenter Motor (The same type of motor drives the cutter and presenter) KR403 (Qty of 2)	P1019863	2
2	Kit Drive Motor (The drive motor is different from the cutter/presenter motor) KR403 (Qty of 2)	P1019866	2

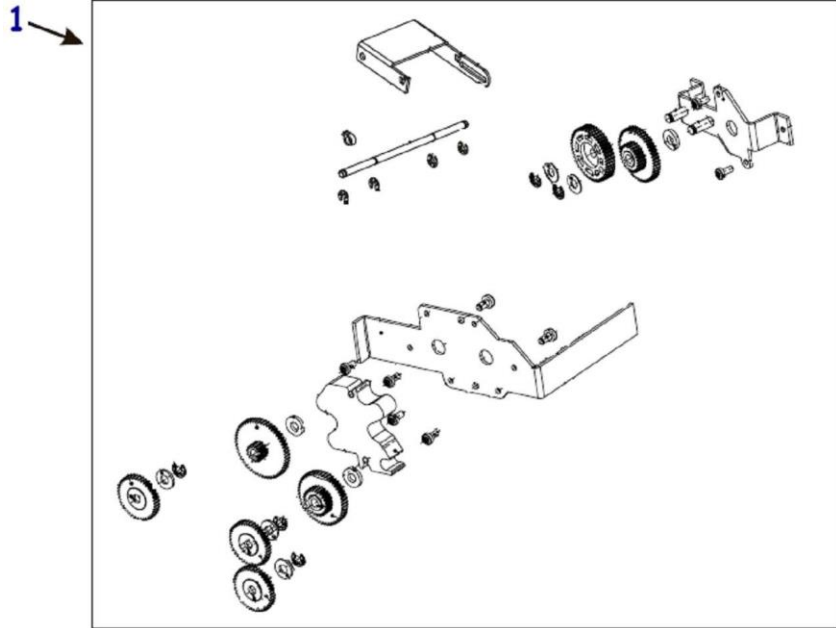
Drive Gears



Item Number	Description	Part Number	Kit Quantity
1	Kit Drive Gears for Drive System KR403 & TTP2000	P1014137	1

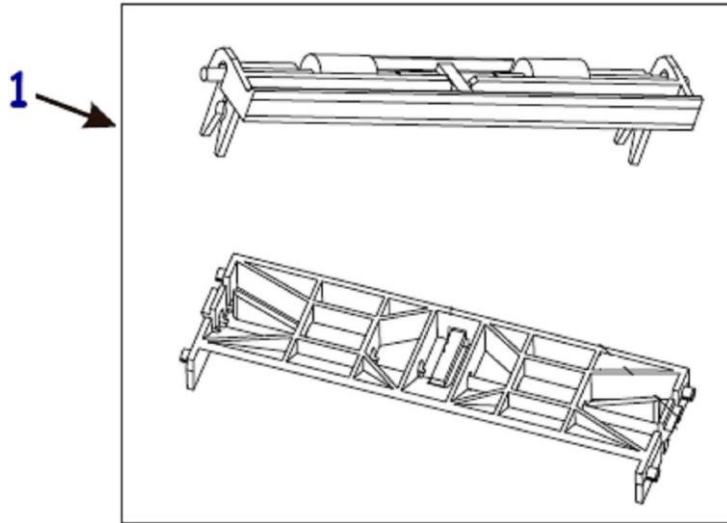
KR403 Parts Catalog

Drive System



Item Number	Description	Part Number	Kit Quantity
1	Kit Drive System KR403	P1019867	1

Presenter and Retract Roller Assemblies

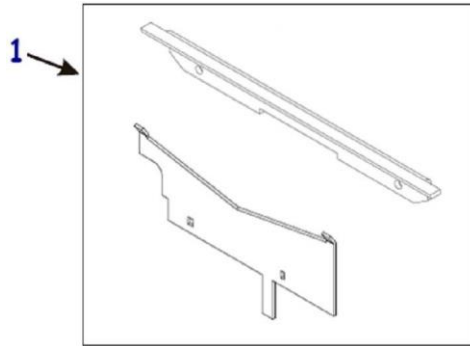


Item Number	Description	Part Number	Kit Quantity
1	Kit Presenter and Retract Roller Assemblies KR403 & TTP2000	P1014129	1



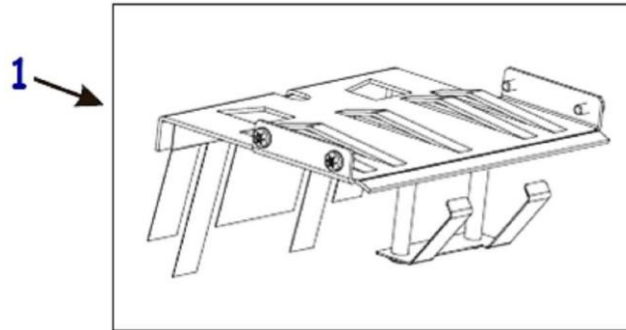
KR403 Parts Catalog

Cutter Blades



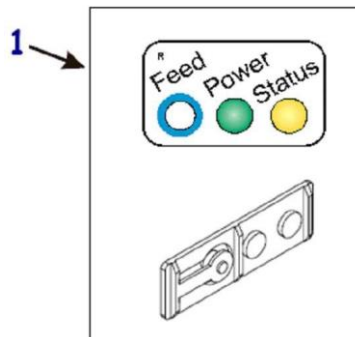
Item Number	Description	Part Number	Kit Quantity
1	Kit Cutter Blades KR403 & TTP2000 (1 each)	P1014133	1

Cover Plate Assembly



Item Number	Description	Part Number	Kit Quantity
1	Kit Cover Plate Assembly KR403 & TTP2000	P1014138	1

Control Panels

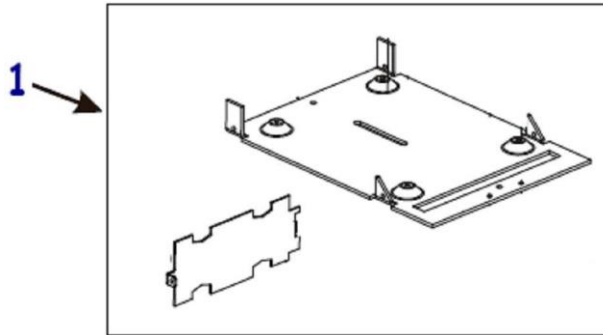


Item Number	Description	Part Number	Kit Quantity
1	Kit Control Panels KR403 & TTP2000 Left and Right side included (Qty of 3 each)	P1014144	3



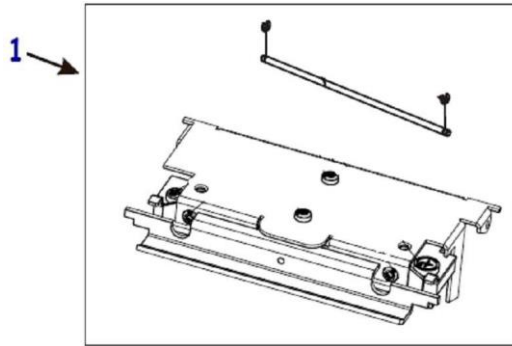
KR403 Parts Catalog

Bottom Plate



Item Number	Description	Part Number	Kit Quantity
1	Kit Bottom Plate and Divider Plate for Serial & USB Configurations KR403	P1015434	1
1	Kit Bottom Plate and Divider Plate for Ethernet Configurations KR403	P1029656	1

Cover for Printhead



Item Number	Description	Part Number	Kit Quantity
1	Kit Printhead Cover Assembly (includes printhead) KR403	P1015453	1

Miscellaneous Items

Item Number	Description	Part Number	Kit Quantity
	Kit Packing materials for printer shipping KR403 & TTP2000	P1014148	1
	Kit Springs for the Printhead Release Latch (Qty of 10)	P1014146	10
	Kit Screws M2.5x6 (Qty of 30)	P1014147	30