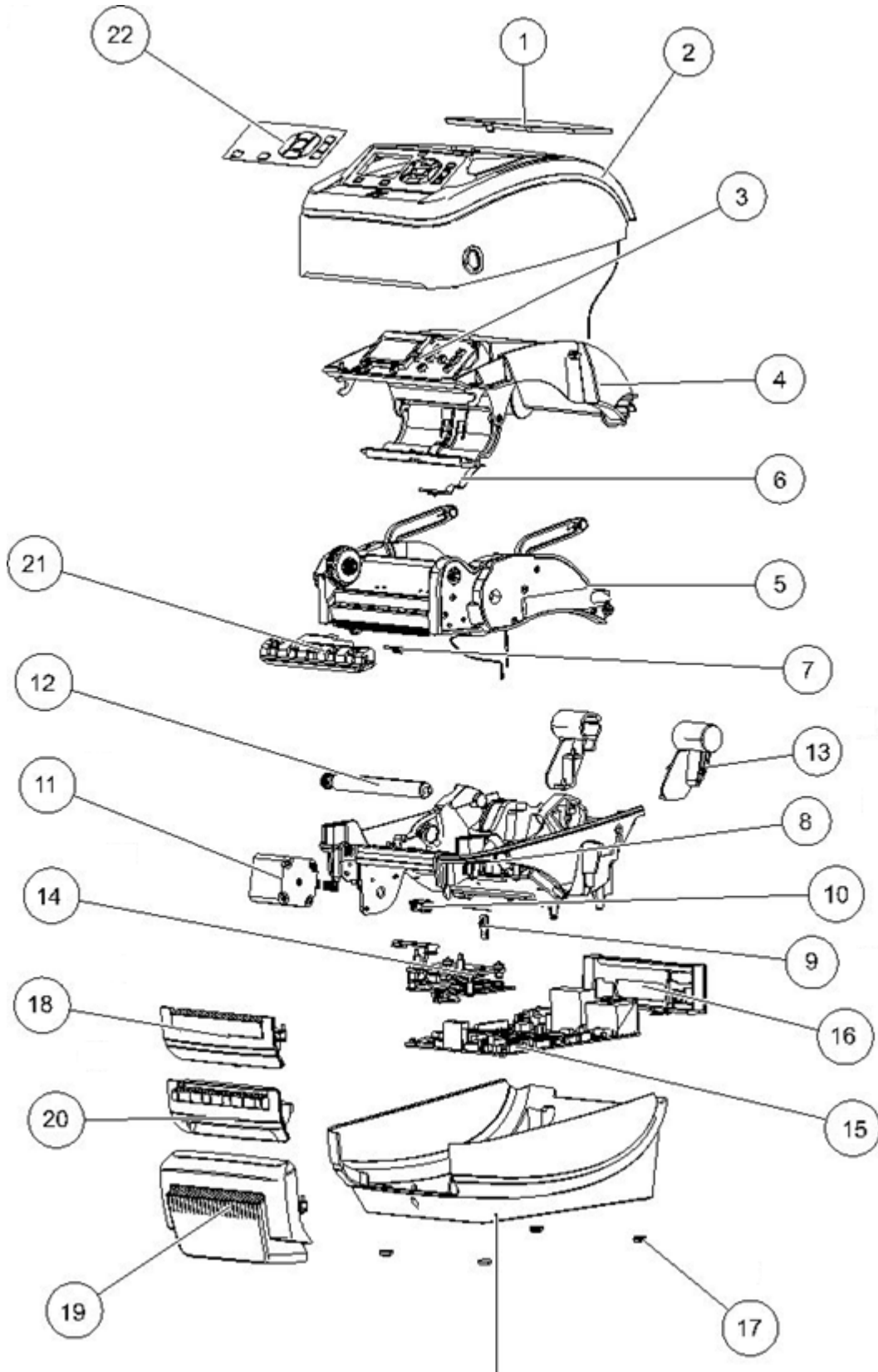


ZD50043 Series



Note: the printer base is only available through the Zebra Repair Depot.

Spare Parts List Desktop Printers

ZD50043 Series

Item	Description	Part Number
1	Media Window	P1061022-004
2	Cover Assy (includes Media Window)	P1061022-003
3	Control Panel	P1061022-029
4	Inner Lid	P1061022-014
5	Ribbon Carriage, 300dpi	P1061022-025
6	Upper Gap Sensor, Movable	P1027135-004
7	Ribbon Out Sensor	P1027135-014
8	Print Mech. Adjustable Sensor inc. Gap/Blackline Snsr, Motor, Platen, Head Up Sensor (Lower Frame)	P1061022-024
9	Head Up Sensor	P1061022-007
10	Gap/Blackline Sensor, Moveable	P1061022-006
11	Motor Assy., 300dpi	P1027135-042
12	Platen, Std Platen Bearings	P1027135-040 105934-099
13	Cover Hinge R&L	P1061022-005
14	RFID Encoder Module	P1061022-009
15	MLB, Serial, Parallel, USB, Ethernet, 802.11, Bluetooth, RFID and none-RFID, Region R1 (US/Canada)	P1061022-010
15	MLB, Serial, Parallel, USB, Ethernet, RFID and none-RFID, Region R1 (US/Canada)	P1061022-011
15	MLB, Serial, Parallel, USB, Ethernet, RFID and none-RFID, Region R2 (ROW),	P1061022-012
15	MLB, Serial, Parallel, USB, Ethernet, 802.11, Bluetooth, RFID and none-RFID, Region R2 (ROW)	P1061022-013
16	Back Panel, Quad	P1061022-015
17	Rubber Foot (set of 5)	105934-024
18	Front Bezel, Std	P1061022-016
19	Cutter, 4", Full	P1061022-008
20	Front Bezel, Dispenser	P1061022-017
21	Printhead, 300dpi	105934-039
22	Nameplate, ZD500R	P1061022-022
22	Nameplate ZD500	P1069205-001
Not Shown	Frame Patch, ZD500 for none-RFID ((set of 5)	P1069205-002
	Hub, Right with Spring (set of 20)	P1061022-018
	Flat Flex Cable, MLB To LCD Interface (set of 5)	P1061022-023
	Shipping Pack – Packaging for shipping the printer	P1061022-021
	Core Adaptors, 3", Right and Left	P1061022-030
	Button Plate	P1061022-031
	Latch Assembly	P1067988-020
	Users CD-ROM	P1061022-028
	Power Supply, 75W C13 with US & Euro Cords	P1079903-026
	Power Cord, 120V US C13 (set of 5)	105950-014
	Power Cord, 220V Euro C13 (set of 5)	105950-015
	Power Cord, 240V UK,C13 (set of 5)	105950-030
	Power Cord, 240V AUS C13 (set of 5)	105950-029
	Power Cord, 220V China C13 (set of 5)	105950-078
	Power Cord, 125V Japan C13 (set of 5)	105950-079
	Power Cord, 220V Argentina C13 (set of 5)	105950-080
	Power Cord, 10A NBR 14136, Brazil (set of 5)	P1033401
	Power Cord 2.5A, IEC Israel C5 (set of 5)	P1061022-020
	Ribbon Core, 4" thermal transfer (set of 50)	P1027135-048